

# RACEWAY SYSTEM



Museum Place, Ft. Worth, TX

**Sheridan**  
lighting systems, inc.

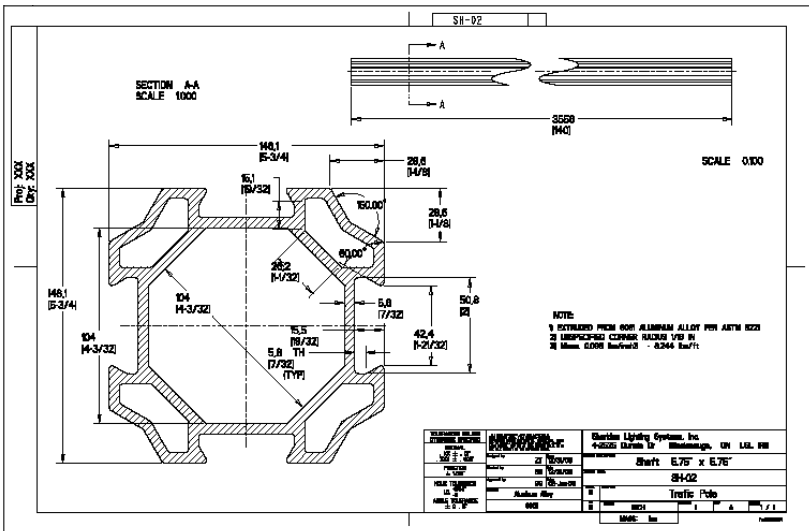


3D assembly rendering

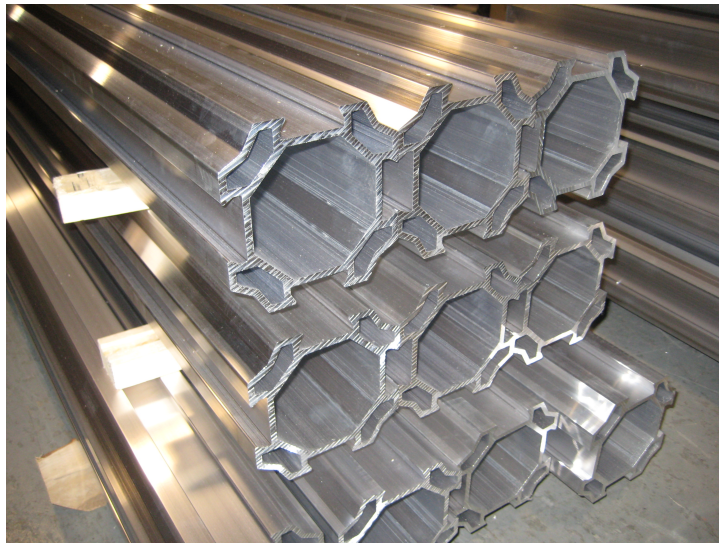
Sheridan's raceway system allows for easy and aesthetically pleasing installation of accessories, such as banner arms, without the use of straps or clamps. For example, a locking bar secures the arm *from within* the channel as bolts are tightened on the banner arm hub.

Additionally, the 5 separate raceways allow you to run separate power or data lines to a location of your choice. Outlets within the shaft can be drilled in-field and capped when not in use. As a result, this raceway system offers flexibility in a user-friendly approach.

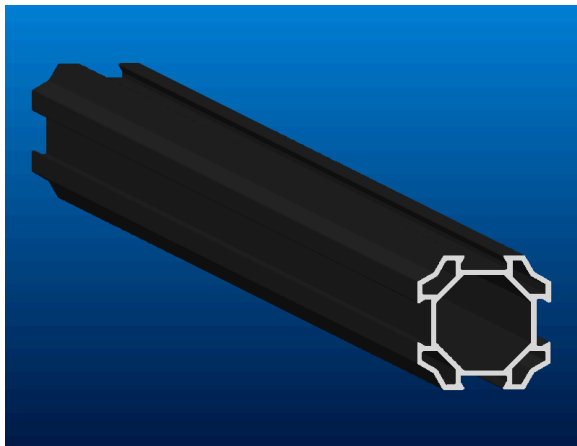
The "TR" option is available with a variety of compatible poles. (SP12 shown in this example)



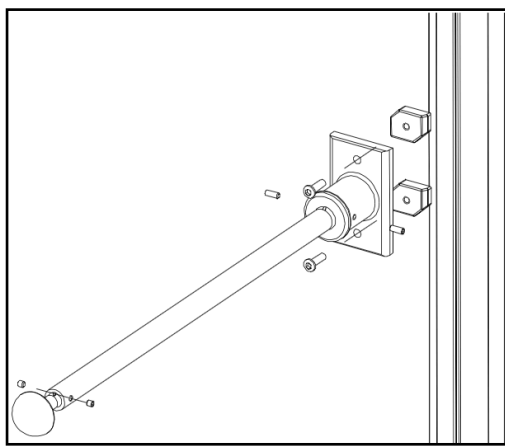
Design drawing



Extrusion ready for welding



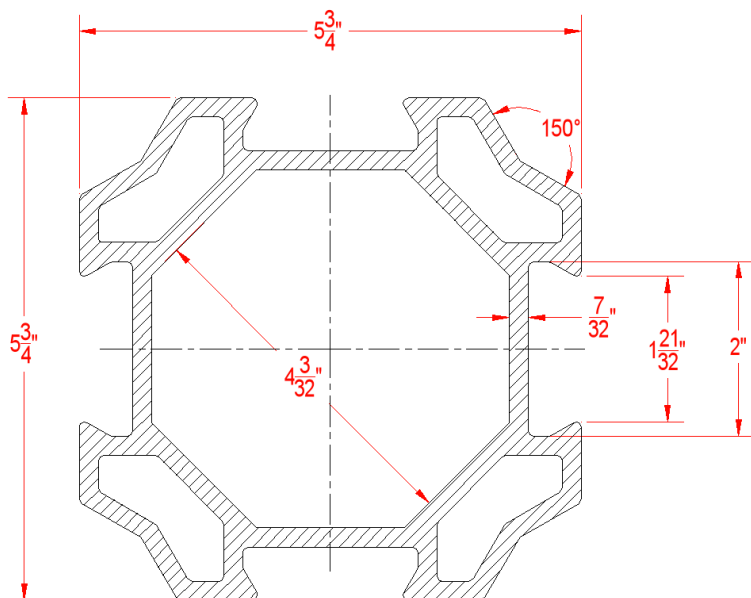
3D model rendering



Banner arm installation

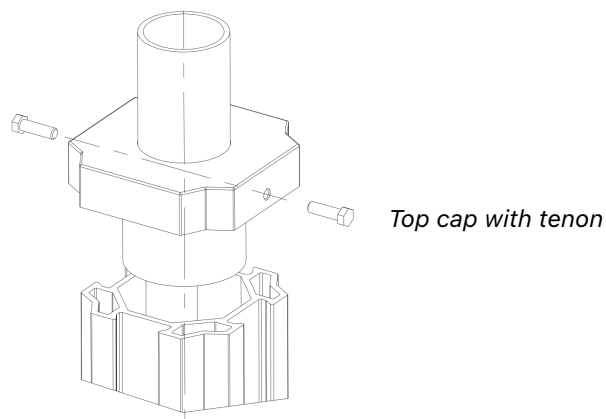


Museum Place, Ft. Worth, TX



The shaft shall be made of a 6061 aluminum alloy extrusion, with 7/32" wall thickness. It shall feature (5) separate raceways: (1) central and (4) external. The (4) external raceways shall be shaped so as to form channels on the exterior of the shaft, with flanges directed inward. The channels shall facilitate the installation of accessories, such as banner arms, flag holders and similar.

The shaft shall be capped off with a cast aluminum cap, shaped to fit the cross section of the shaft. It shall be mechanically secured with stainless steel hardware. All exposed metal parts shall receive baked-on smooth semi-gloss powder coat finish. Ships bundled and palletized.



## Ordering logic

SP12	B	575	TR	14	GFI	BLK
Base	Height of base	Shaft size	Shaft style	Height	Options	Color
<b>A</b> 36" (standard) <b>B</b> 48" <b>C</b> custom, specify in inches	<b>4</b> 4" OD <b>5</b> 5" OD <b>575</b> 5.75" square with raceways	<b>RS</b> round straight <b>FS</b> fluted straight <b>RT</b> round tapered <b>FT</b> fluted tapered <b>TR</b> 5.75" square with raceways	<b>A</b> aluminum <b>C</b> steel (not available with "FS" or "TR" style)	<b>GFI</b> GFI receptacle <b>LAB</b> less anchor bolts <b>FLG</b> flag holder <b>Banner arms:</b> see the "Accessories" section	<b>BLK</b> black <b>BRZ</b> bronze <b>GRN</b> green <b>GRY</b> grey <b>WHT</b> white <b>CTM</b> custom	

See the luminaire and bracket sections for compatible products

**Sheridan**  
lighting systems, inc.

**Sheridan**  
lighting systems, inc.