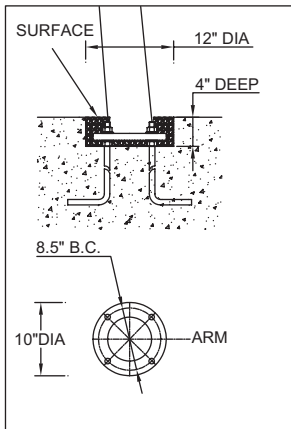
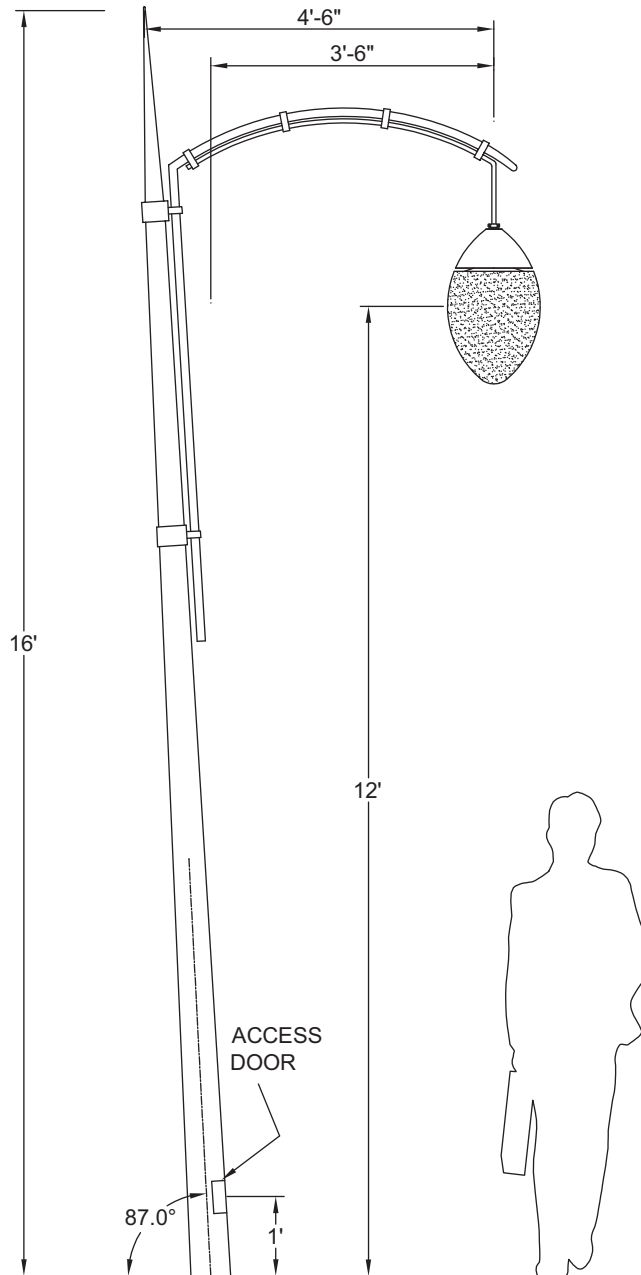
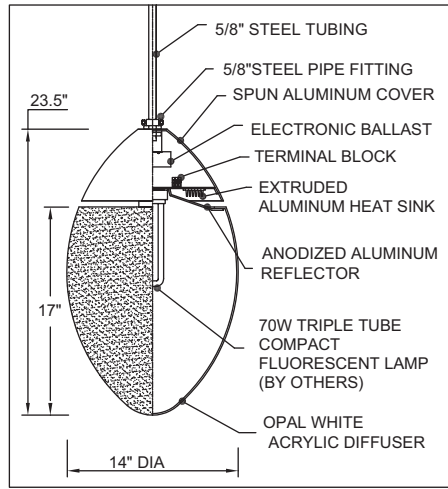


ARM CONFIGURATION - TOP VIEW

**PD87221**



ANCHORING DETAIL

**DISNEY QSR**

**LUMINAIRE**

**Top cover:** spun aluminum

**Diffuser:** two-piece formed opal white acrylic, glued together and sanded for uniform look.

**Optics:** anodized aluminum reflector, IES type V distribution

**Ballast:** electronic 70W, mounted on a removable plate within the luminaire.

**Voltage:** 120-277V

**Socket:** GX24q-6

**Lamp:** triple tube, 70W CFL (by others)

**ARM**

**Arm:** two parallel tubes attached together with aluminum clamps. Aluminum tube is 1.25"OD x 0.125" TH and steel tube 5/8"OD x 1/16" TH

**Configuration:** single

**POLE**

**Pole:** extruded, 0.188" wall aluminum, tapering from 6"OD at the bottom to 2-3/8" at the top, with a cast aluminum conical spike finial. A 3" x 5" access door is provided at 12" to center, with ground lug located opposite the access door. Pole shall be welded to a cast aluminum base plate.

**Anchor bolts:** four 20"L x 3/4"OD galvanized steel 55ksi min. yield bolts with 3" hook and 3" projection, with two nuts and two washers each and a steel template to install bolts on 8.5" bolt circle.

**All exposed hardware:** stainless steel

**Finish:** TGIC polyester powder coat

**Color:** five standard colors to choose from: black, white, green, bronze and grey. Custom colors extra.

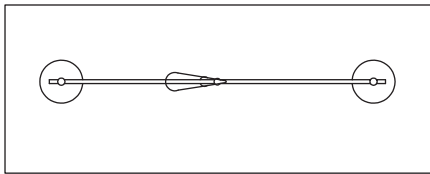
**Date:** July 22, 2008

**Model:** CSH1424-WA-7CF-BA-CSA-A-CSP-RT60-16-COLOR

**Sheridan**  
lighting systems, inc.

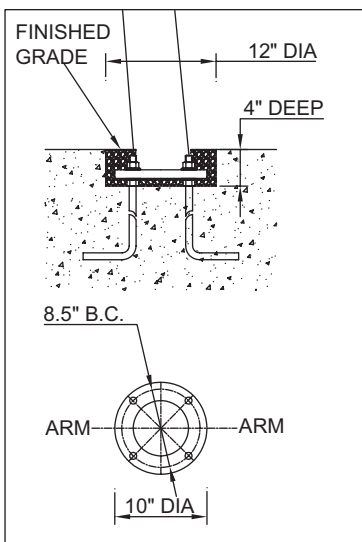
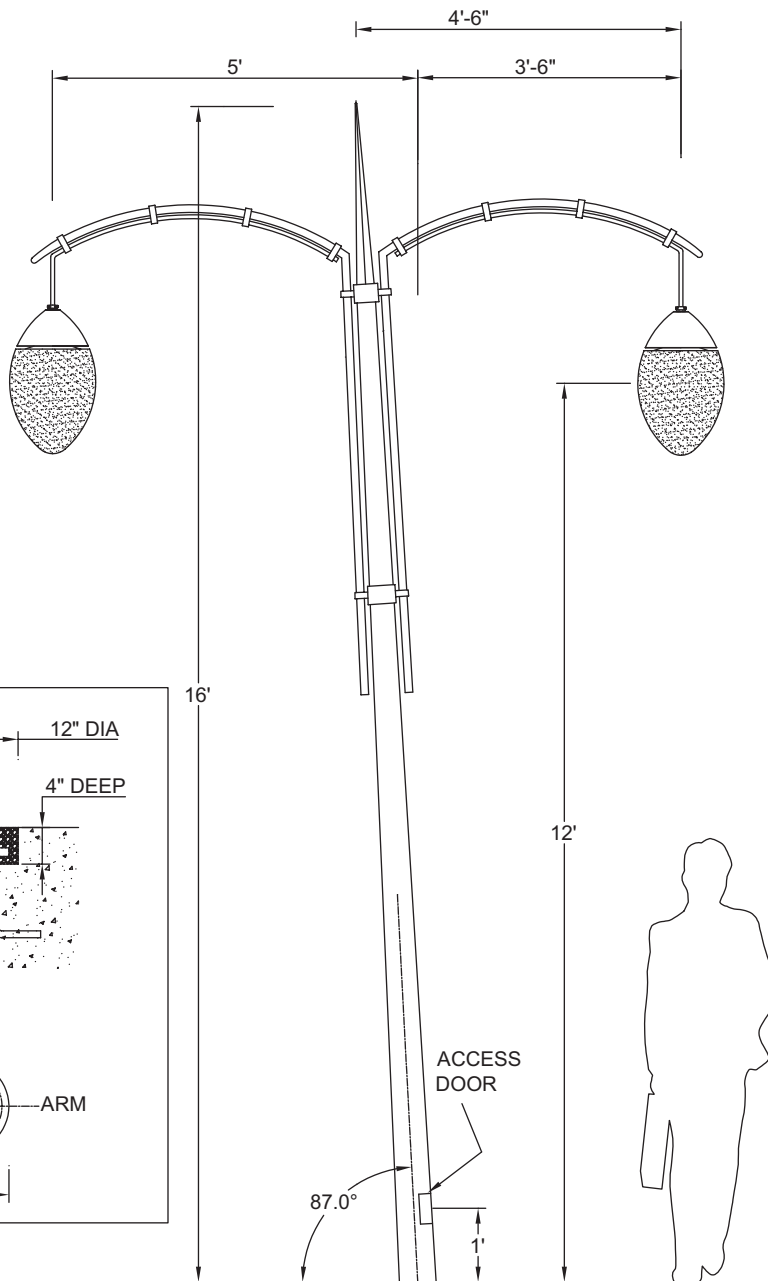
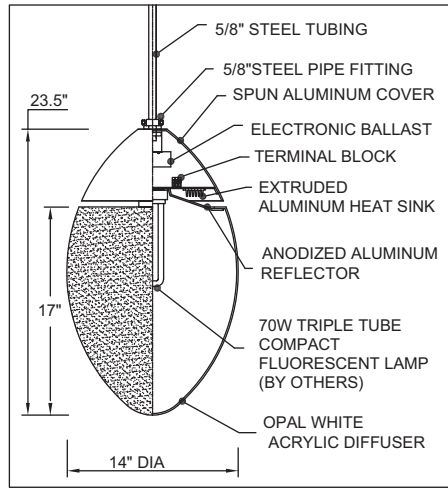
Sheridan Lighting Systems, Inc.  
4-2525 Dunwin Dr  
Mississauga, ON L5L 1R9

T 905-369-0101 F 905-369-0102  
sales@sheridansys.com www.sheridansys.com



ARM CONFIGURATION - TOP VIEW

**PD87222**



ANCHORING DETAIL

**DISNEY QSR**

**LUMINAIRE**

**Top cover:** spun aluminum

**Diffuser:** two-piece formed opal white acrylic, glued together and sanded for uniform look.

**Optics:** anodized aluminum reflector, IES type V distribution

**Ballast:** electronic 70W, mounted on a removable plate within the luminaire.

**Socket:** GX24q-6

**Voltage:** 120-277V

**Lamp:** triple tube, four-pin, 70W CFL (by others)

**ARM**

**Arm:** two parallel tubes attached together with aluminum clamps. Aluminum tube is 1.25"OD x 0.125" TH and steel tube 5/8"OD x 1/16" TH

**Configuration:** twin

**POLE**

**Pole:** extruded, 0.188" wall aluminum, tapering from 6"OD at the bottom to 2-3/8" at the top, with a cast aluminum conical spike finial. A 3" x 5" access door is provided at 12" to center, with ground lug located opposite the access door. Pole shall be welded to a cast aluminum base plate.

**Anchor bolts:** four 20"L x 3/4"OD galvanized steel 55ksi min. yield bolts with 3" hook and 3" projection, with two nuts and two washers each and a steel template to install bolts on 8.5" bolt circle.

**All exposed hardware:** stainless steel

**Finish:** TGIC polyester powder coat

**Color:** five standard colors to choose from: black, white, green, bronze and grey. Custom colors extra.

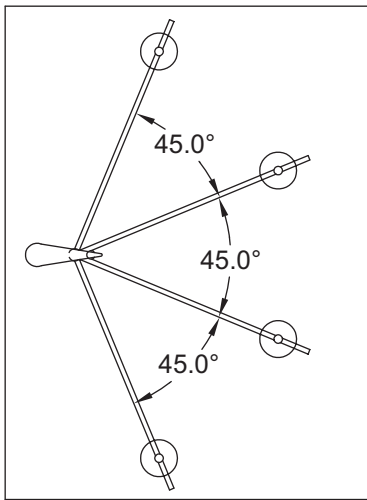
**Date:** July 22, 2008

**Model:** (2) CSH1424-WA-7CF-BA-CSA-B-CSP-RT60-16-COLOR

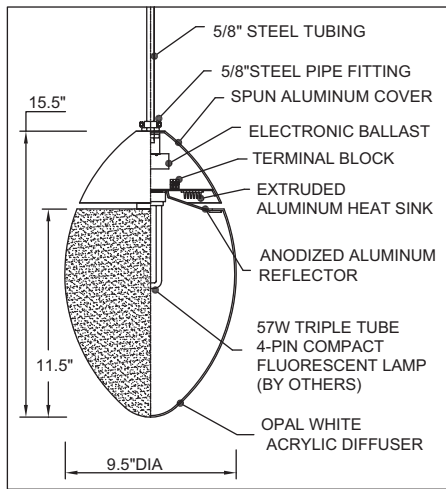
**Sheridan**  
lighting systems, inc.

Sheridan Lighting Systems, Inc.  
4-2525 Dunwin Dr  
Mississauga, ON L5L 1R9

T 905-369-0101 F 905-369-0102  
sales@sheridansys.com www.sheridansys.com



ARM CONFIGURATION - TOP VIEW



## DISNEY QSR

### LUMINAIRE

**Top cover:** spun aluminum

**Diffuser:** two-piece formed opal white acrylic, glued together and sanded for uniform look.

**Optics:** anodized aluminum reflector, IES type V distribution

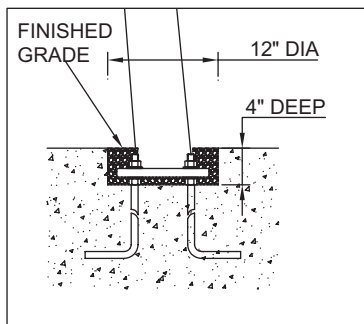
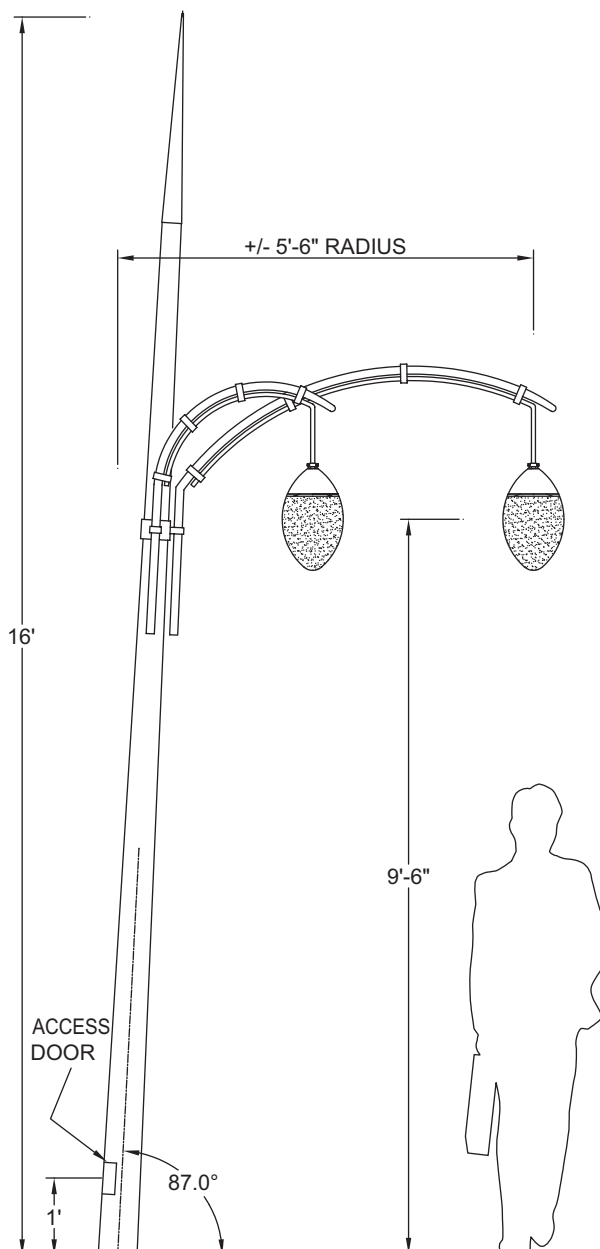
**Ballast:** electronic 57W, mounted on a removable plate within the luminaire.

**Voltage:** 120-277V

**Socket:** GX24q-5

**Lamp:** triple tube, four-pin, 57W CFL (by others)

## PD87223



ANCHORING DETAIL

### ARM

**Arm:** two parallel tubes attached together with aluminum clamps. Aluminum tube is 1.25"OD x 0.125" TH and steel tube 5/8"OD x 1/16" TH

**Configuration:** quad

### POLE

**Pole:** extruded, 0.188" wall aluminum, tapering from 6"OD at the bottom to 2-3/8" at the top, with a cast aluminum conical spike finial. A 3" x 5" access door is provided at 12" to center, with ground lug located opposite the access door. Pole shall be welded to a cast aluminum base plate.

**Anchor bolts:** four 20"L x 3/4"OD galvanized steel 55ksi min. yield bolts with 3" hook and 3" projection, with two nuts and two washers each and a steel template to install bolts on 8.5" bolt circle.

**All exposed hardware:** stainless steel

**Finish:** TGIC polyester powder coat

**Color:** five standard colors to choose from: black, white, green, bronze and grey. Custom colors extra.

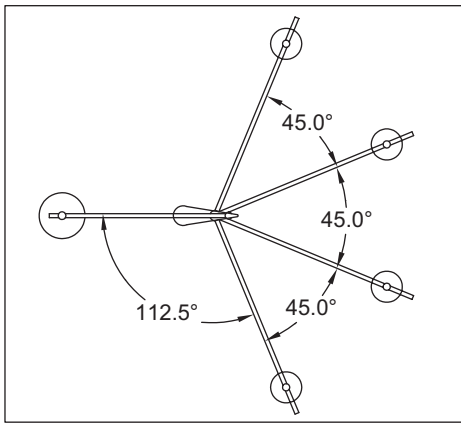
**Date:** July 22, 2008

**Model:** (4) CSH1016-WA-5CFL-BA-CSA-D-CSP-RT60-16-COLOR

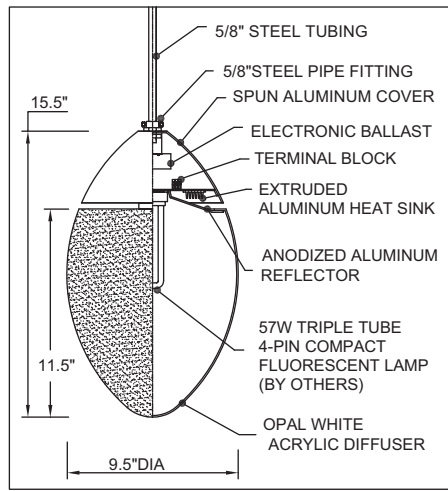
**Sheridan**  
lighting systems, inc.

Sheridan Lighting Systems, Inc.  
4-2525 Dunwin Dr  
Mississauga, ON L5L 1R9

T 905-369-0101 F 905-369-0102  
sales@sheridansys.com www.sheridansys.com

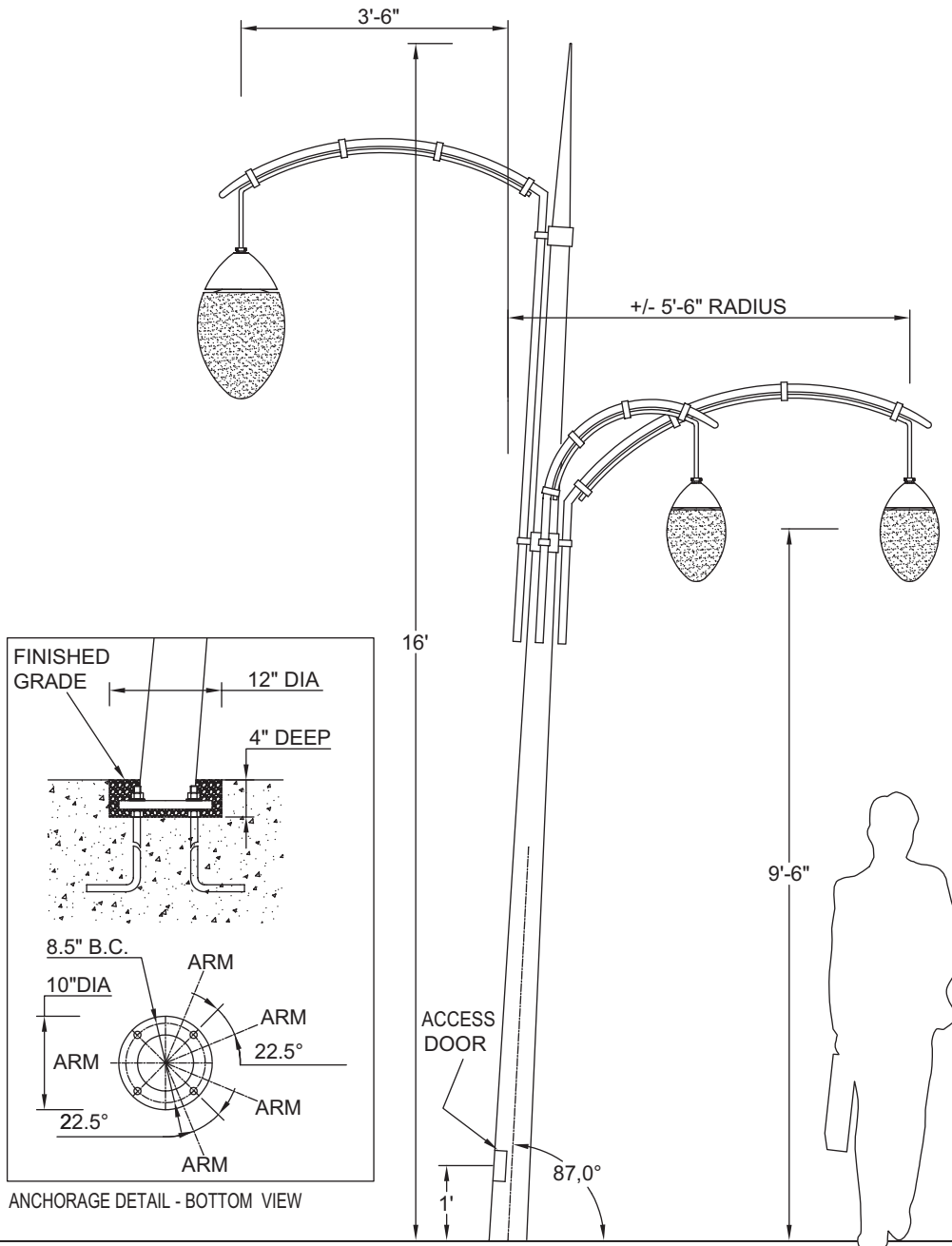


ARM CONFIGURATION - TOP VIEW



DETAIL OF SMALLER LUMINAIRE

**PD87224**



ANCHORAGE DETAIL - BOTTOM VIEW

## DISNEY QSR

### LUMINAIRE

**Top cover:** spun aluminum

**Diffuser:** two-piece formed opal white acrylic, glued together and sanded for uniform look.

**Optics:** anodized aluminum reflector, IES type V distribution

**Ballast:** electronic 57W and 70W, mounted on a removable plate within the luminaire.

**Voltage:** 120-277V

**Socket:** GX24q-5 and GX24q-6

**Lamp:** triple tube, four-pin, 57W and 70W CFL (by others)

### ARM

**Arm:** two parallel tubes attached together with aluminum clamps. Aluminum tube is 1.25"OD x 0.125" TH and steel tube 5/8"OD x 1/16" TH

**Configuration:** five-way

### POLE

**Pole:** extruded, 0.188" wall aluminum, tapering from 6"OD at the bottom to 2-3/8" at the top, with a cast aluminum conical spike finial. A 3" x 5" access door is provided at 12" to center, with ground lug located opposite the access door. Pole shall be welded to a cast aluminum base plate.

**Anchor bolts:** four 20"L x 3/4"OD galvanized steel 55ksi min. yield bolts with 3" hook and 3" projection, with two nuts and two washers each and a steel template to install bolts on 8.5" bolt circle.

**All exposed hardware:** stainless steel

**Finish:** TGIC polyester powder coat

**Color:** five standard colors to choose from: black, white, green, bronze and grey. Custom colors extra.

**Date:** July 22, 2008

**Model:** CSH1424-WA-7CFL-BA-(4)CSH1016-WA-5CFL-BA-CSA-E-CSP-RT60-16-COLOR

**Sheridan**  
lighting systems, inc.

Sheridan Lighting Systems, Inc.  
4-2525 Dunwin Dr  
Mississauga, ON L5L 1R9

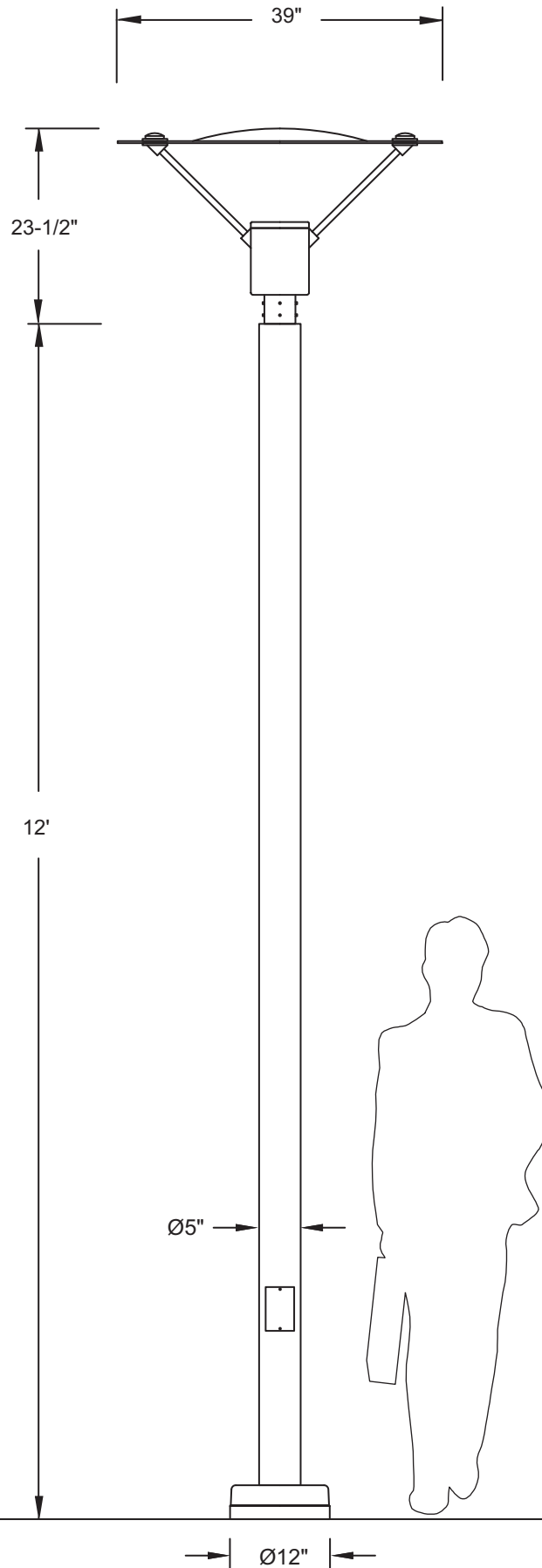
T 905-369-0101 F 905-369-0102  
sales@sheridansys.com www.sheridansys.com



PD810161

**DELAWARE  
COMMUNITY COLLEGE**

**TYPE P**



**LUMINAIRE**

**Top:** aluminum disk with spun aluminum parabolic domed reflector, with two ball joints for 30° tilt. Top is supported with two s/s rods.

**Diffuser:** clear tempered glass with high temperature gasket.

**Slip fitter:** cast aluminum

**Optics:** anodized aluminum reflector

**Socket:** G12      **Voltage:** 480V

**Lamp:** 150W bi-pin T6 (by others)

**POLE**

**Pole:** extruded, 0.226" wall, 5"OD aluminum, with access door at 24" from bottom of pole to center, with ground lug located opposite the access door. Pole shall be welded to a cast aluminum base plate. A 3"OD x 3-1/2"H tenon shall be provided at the top of pole for luminaire mounting.

**Base cover:** two-piece cast aluminum.

**Anchor bolts:** four 24"L x 3/4"OD galvanized steel 55ksi min. yield bolts with 3" hook and 3" projection, with two nuts and two washers each and a steel template to install bolts on 8-1/2" bolt circle.

**Ballast:** 150W, 480V, pulse start metal halide, mounted on a removable plate in base of the pole.

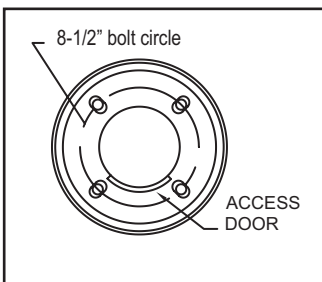
**All exposed hardware:** stainless steel

**Finish:** TGIC polyester powder coat

**Color:** five standard colors to choose from: black, white, green, bronze and grey. Custom colors extra.

**Date:** October 16, 2008

**Model:** CSH3924-15M-480-SP25-5RSA-12-COLOR



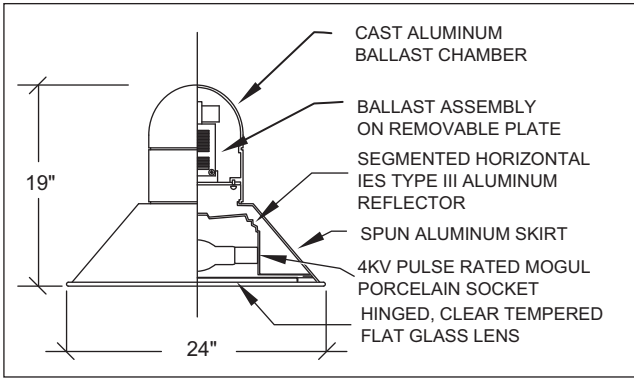
**Sheridan**  
lighting systems, inc.

Sheridan Lighting Systems, Inc.  
4-2525 Dunwin Dr  
Mississauga, ON L5L 1R9

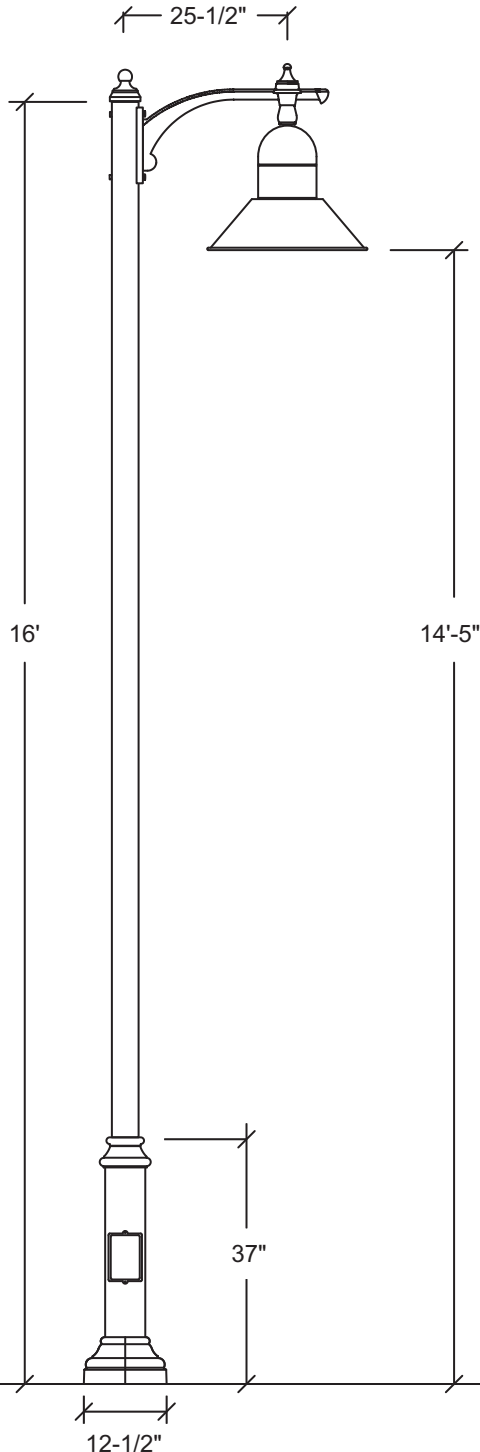
T 905-369-0101      F 905-369-0102  
sales@sheridansys.com      www.sheridansys.com

PD810291

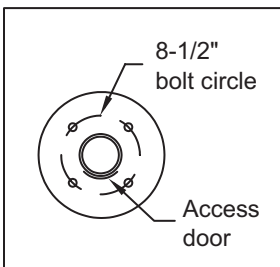
**Coralville Youth  
Recreation Facility**



LUMINAIRE DETAILS



BOTTOM VIEW



**Luminaire ballast chamber:** heavy wall cast aluminum

**Decorative skirt:** spun aluminum, permanently attached to the domed ballast chamber.

**Diffuser:** hinged, clear tempered flat glass

**Optics:** segmented horizontal bright anodized reflector IES type III with full cutoff

**Ballast:** probe start 150W HPS, multi (quad) tap, wired for \_\_\_ V, with tool-less access and quick disconnects, mounted on a removable plate within the luminaire.

**Socket size:** mogul, porcelain, 4KV pulse rated

**Lamp:** ED23-1/2 (by others)

**Single arm:** cast aluminum, with separate cast aluminum decorative cap on pole side. Luminaire is secured with three set screws and one security bolt. Arm bolts onto the pole with two s/s bolts. All mounting hardware is included.

**Pole:** 4"OD round straight steel tube, 0.125" wall thickness, welded in and over a 6"OD steel lower section, which is welded to a steel base plate. Entire pole is galvanized.

**Mounting:** four 3/4"OD x 24"L steel anchor bolts, with two nuts and two washers per bolt for leveling, 3" hook, 3" projection, installed on 8-1/2" bolt circle. Anchor bolts, hardware and steel templates supplied by Sheridan.

**Base cover and collar:** round, two-piece cast aluminum secured to the shaft with tamper-resistant hardware. Base covers ship separately, to be installed on site by contractor.

**Finish:** TGIC polyester powder

**Color:** black

**Date:** Oct. 29, 2008

**Model:** CSH2419-15M-VOLT-H3-SA20-A-SP15-RSC-16-BLK

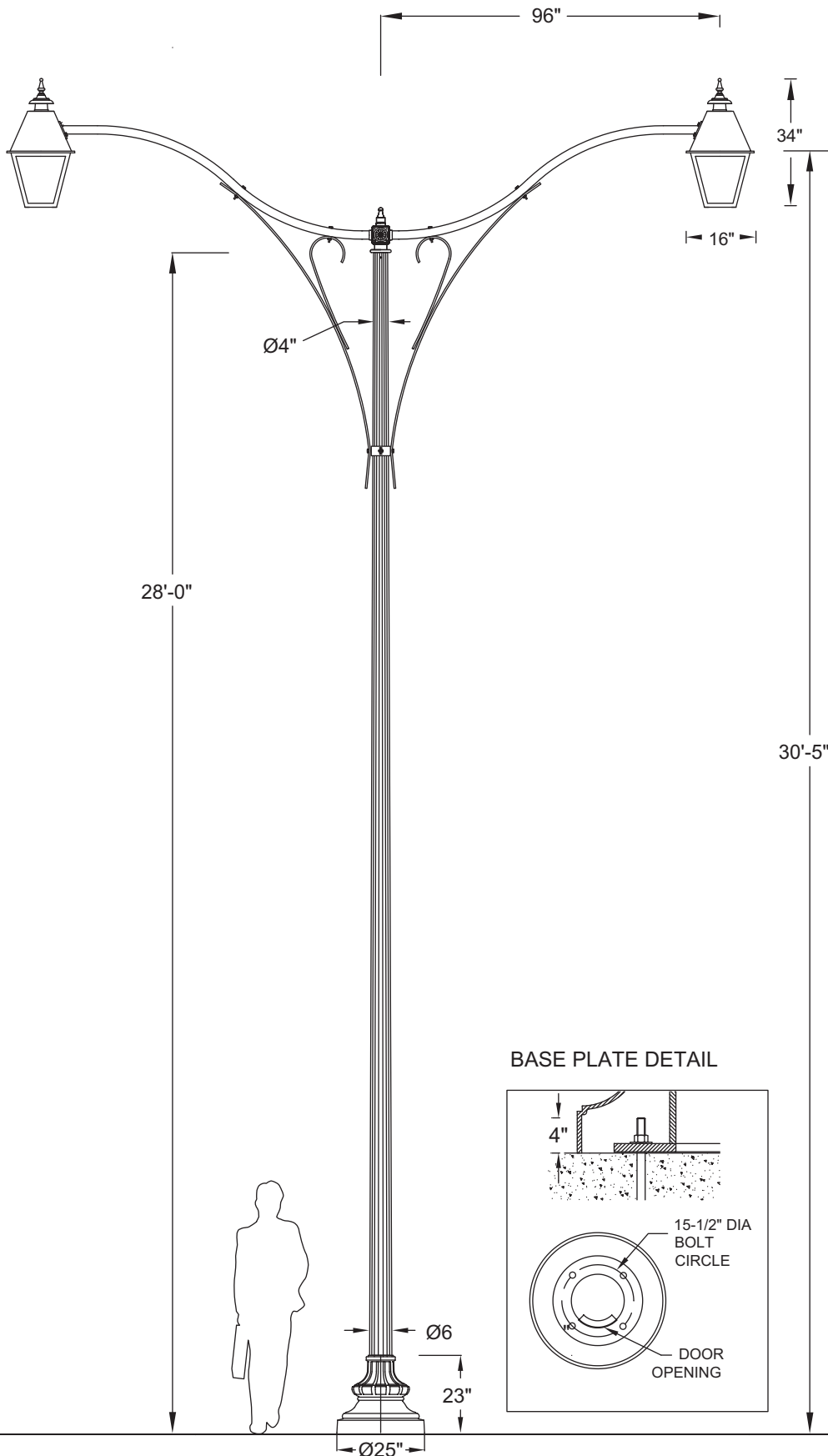
**Sheridan**  
lighting systems, inc.

Sheridan Lighting Systems, Inc.  
4-2525 Dunwin Dr  
Mississauga, ON L5L 1R9

T 905-369-0101 F 905-369-0102  
sales@sheridansys.com www.sheridansys.com

Dwg. #PD810202

**FT. LEAVENWORTH**  
**Type PH4 - Civilian Education**



**Luminaire housing:** cast aluminum hood with cast aluminum cage, spun aluminum cupola and cast aluminum finial

**Lens:** five clear UV stabilized acrylic panels

**Reflector:** multifaceted precision laser-cut aluminum cutoff reflector; field rotateable every 90 degrees; IES type II.

**Ballast:** 150W HPS high power factor, multi (quad) tap, wired at 277V, ANSI S55, with tool-less access and quick disconnects, mounted on a removable plate.

**Lamp:** ED23 1/2 (by others); horizontal burn

**Socket:** mogul porcelain 4kV, pulse rated

**Twin arm:** 2" sch 40 aluminum pipe (2-3/8"OD) welded to a cast aluminum column, with decorative flower elements, topped with decorative finials.

**Scroll:** 2" x 1/2" aluminum flat bar

**Mounting hardware:** included

**Pole:** 7 ga steel, galvanized, with 16 flutes, tapered from 6" at the bottom to 4" at the top, welded to a steel base plate, for installation on four 1" x 36"L galvanized steel anchor bolts, with two nuts and two washers per bolt on a 15-1/2" bolt circle (bolts, washers and leveling nuts by others).

**Base cover:** two-piece cast aluminum, with tamper resistant stainless steel hardware

**Finish:** TGIC polyester powder coat

**Color:** RAL 9011 Graphite Black

**Date:** October 20, 2008

**Model #:** (2)SH50-M-15H-4-HR2-SA30-  
MOD-96-B-SP01-25-B-64FTC-28-BLK

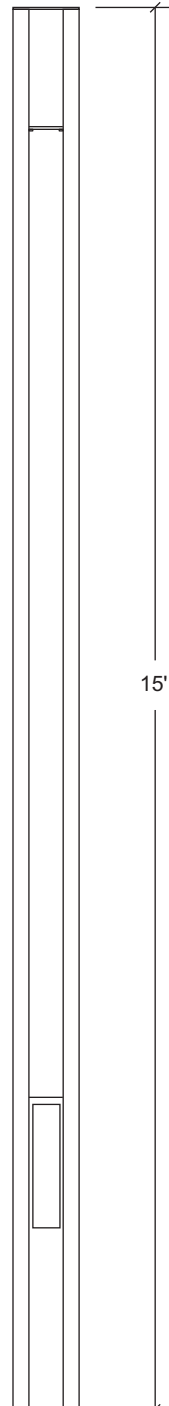
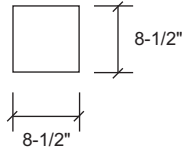
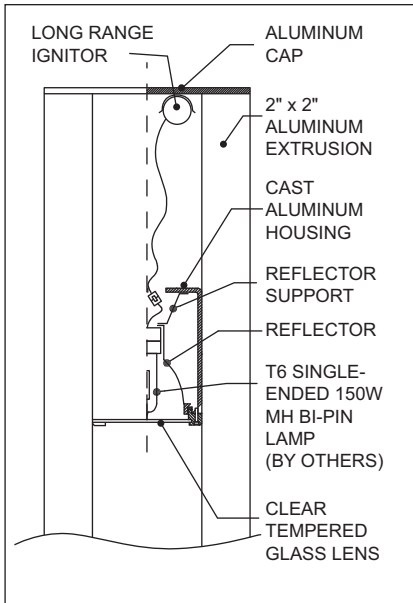
**Sheridan**  
lighting systems, inc.

Sheridan Lighting Systems, Inc.  
4-2525 Dunwin Dr  
Mississauga, ON L5L 1R9

T 905-369-0101 F 905-369-0102  
sales@sheridansys.com www.sheridansys.com

**CAMPBELL'S SOUP  
EMPLOYEE SERVICES BUILDING**

Type S1



**Top cap:** gasketed aluminum plate attached to fixture with s/s tamper resistant fasteners

**Luminaire housing:** cast aluminum, welded to fixture body

**Ballast:** MH high power factor, ANSI M102, multi- (quad) tap, with tool-less access and quick disconnects, mounted on a removable plate in the base of the fixture. Long range ignitor is installed in top of the fixture, <3' from the lamp.

**Wattage:** 150W **Voltage:** 277V

**Socket:** G12

**Lamp:** 150W T6 ceramic metal halide single ended (by others)

**Lens:** gasketed clear tempered glass with an aluminum retaining ring

**Reflector:** multifaceted bright anodized aluminum

**Fixture body:** four 2" x 2" aluminum extrusions jig welded to form a rigid assembly, with integral base plate for mounting to anchor bolts. An oversized access door is provided for ease of wiring and anchoring.

**Anchorage:** four 3/4"OD x 24"L galvanized steel anchor bolts, with two nuts and two washers per bolt, to be installed on 7"OD bolt circle. Anchors, templates, nuts and washers included.

**Finish:** TGIC polyester powder coat

**Color:** five standard colors to choose from: black, bronze, green, gray and white. Other colors upon request.

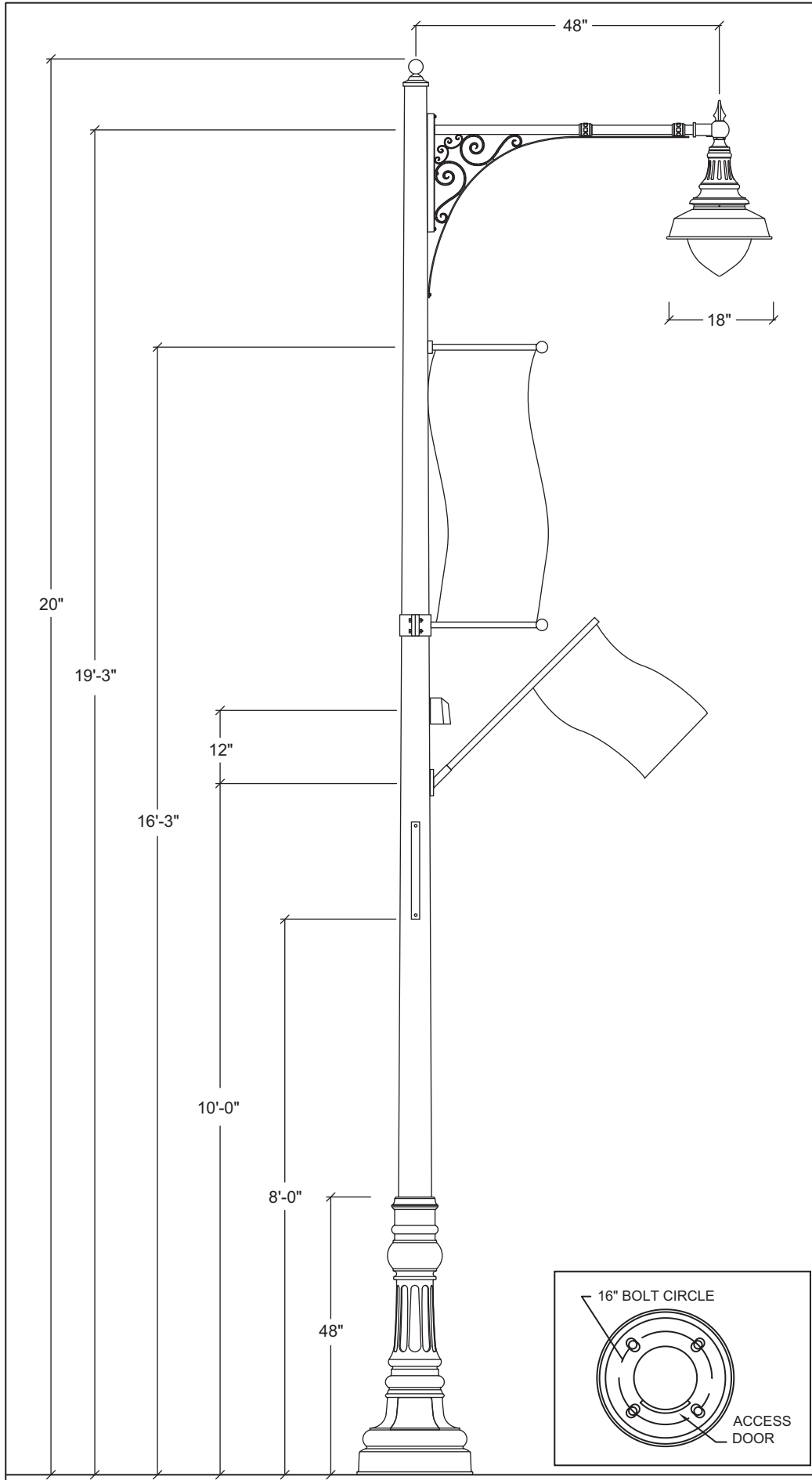
**Date:** Dec. 17, 2008

**Model:** CSH8515-15M-4-R5-COLOR

**Sheridan**  
lighting systems, inc.

Sheridan Lighting Systems, Inc.  
4-2525 Dunwin Dr  
Mississauga, ON L5L 1R9

T 905-369-0101 F 905-369-0102  
sales@sheridansys.com www.sheridansys.com



**NEW HAMPTON  
STREETSCAPE**

**Luminaire housing:** cast aluminum, with 2" tenon for mounting to the decorative arm

**Shade:** heavy gauge spun aluminum

**Diffuser:** hinged, stippled acrylic

**Optics:** open bottom acrylic refractor IES type III or V (please specify)

**Ballast:** metal halide high power factor, multi (quad) tap, ANSI M152, with tool-less access and quick disconnects, mounted on a removable plate.

**Wattage:** 175W **Voltage:** 240V

**Socket :** porcelain, mogul, 6KV pulse rated

**Lamp:** ED28 (by others)

**Arm:** aluminum extruded arm welded to an aluminum back plate, with cast and extruded aluminum scrolls and a cast aluminum end cap with finial for luminaire attachment

**Pole shaft:** tapered extruded aluminum, tapering from 6" at the bottom to 3.75" at the top, welded in and over the base. Shaft is topped with a cast aluminum cap and ball; overall height of 20', including the base. Chain vibration damper to be suspended internally within the shaft included.

**Base:** cast aluminum, 20"OD x 48"H, with a cast aluminum oversized access door, ground lug opposite access door, integral anchor base plate. Installs on four 1"OD x 36"L galvanized steel anchor bolts, 55ksi min. yield, with 4" hook, 4" projection, on a 16" bolt circle. Comes with steel template and with two nuts and two washers per bolt for leveling.

**Banner arms:** 1"OD x 18"L aluminum, capped with 2" cast aluminum ball. Top arm is threaded into an aluminum hub welded to the pole shaft. Bottom arm clamps onto the shaft and is fully adjustable. Banners by others.

**GFI:** die cast aluminum Pass & Seymour "wet while in use" receptacle cover. Receptacle and wiring by others.

**Flag holder:** zinc plated steel. Flag by others.

**Sign bracket:** cast aluminum. Sign by others. Advise details.

**Finish:** TGIC polyester powder coat

**Color:** standard bronze RAL 8019

**Date:** Dec. 12, 2008

**Model:** CSH1824-SA-17M-3-A3(5)-CSA-A-48-CSP2048-64RTA-20-VDC-GFIW-FLG-BAB10-BAC01-BRZ

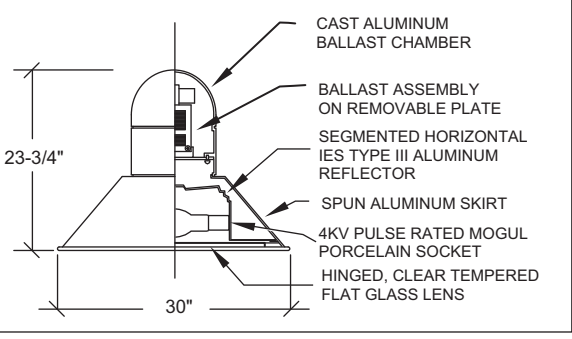
**Sheridan**  
lighting systems, inc.

Sheridan Lighting Systems, Inc.  
4-2525 Dunwin Dr  
Mississauga, ON L5L 1R9

T 905-369-0101 F 905-369-0102  
sales@sheridansys.com www.sheridansys.com

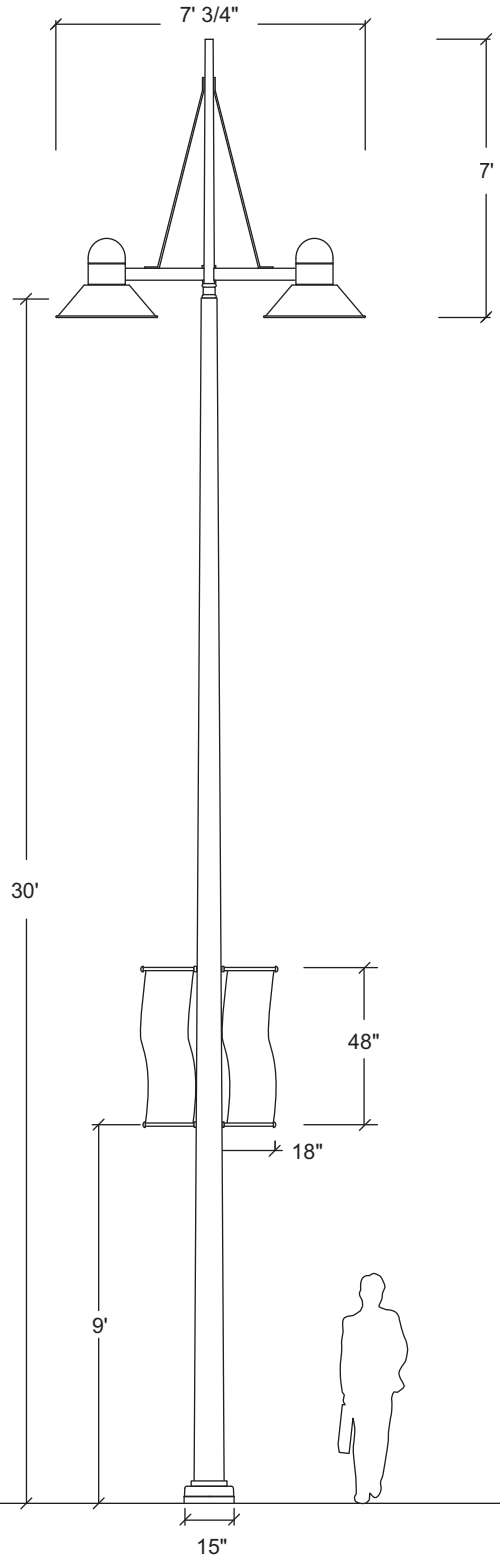
**PD812121**

**VITRUVIAN PARK**  
Addison, TX

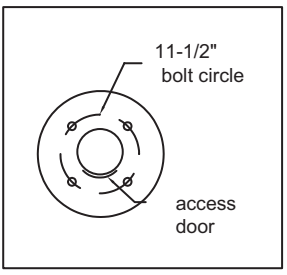


LUMINAIRE DETAILS

**PD810292**



BOTTOM VIEW



- Ballast chamber:** heavy wall cast aluminum
- Decorative skirt:** spun aluminum, permanently attached to the domed ballast chamber.
- Diffuser:** hinged, clear tempered flat glass
- Optics:** segmented horizontal bright anodized reflector IES type III with full cutoff
- Ballast:** pulse start 400W MH, ANSI M155, multi (quad) tap, wired for \_\_\_\_V, with tool-less access and quick disconnects, mounted on a removable plate within the luminaire.
- Socket size:** mogul, porcelain, 4KV pulse rated
- Lamp:** ED28 (by others)
- Arm:** aluminum 2" x 3" rectangular extrusion welded to an aluminum column, with aluminum support beams.
- Configuration:** twin
- Shaft:** round tapered steel, welded in and over a steel base plate.
- Base cover:** two-piece cast aluminum, attached to pole with tamper resistant s/s hardware.
- Anchor bolts:** four 36"L x 1"OD galvanized steel 55ksi min. yield bolts with 4" hook and 4" projection, with two nuts and two washers each and a steel template to install bolts on 11-1/2" bolt circle.
- Banner arms:** 1"OD x 18"L aluminum tubing threaded into steel hubs, which are welded onto the pole shaft. Comes with 2" cast aluminum removable half balls. Banners by others.
- All exposed hardware:** stainless steel
- Finish:** TGIC polyester powder coat
- Color:** silver

**Date:** Oct. 29, 2008  
**Model:** (2) CSH3024-40M-VOLT-H3-CSA-B-SP25-MOD15-RTC-30-BAB-22-SLR



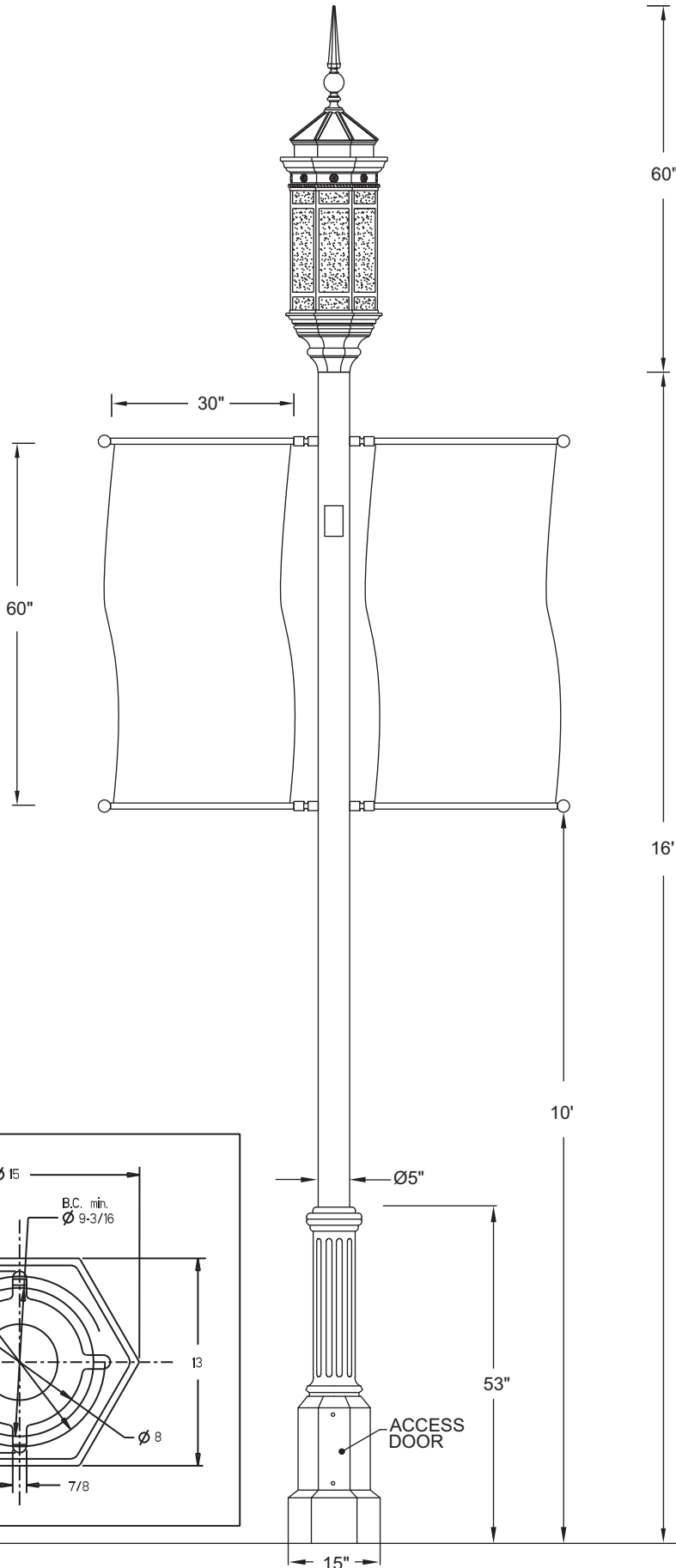
Sheridan Lighting Systems, Inc.  
4-2525 Dunwin Dr  
Mississauga, ON L5L 1R9

T 905-369-0101 F 905-369-0102  
sales@sheridansys.com www.sheridansys.com

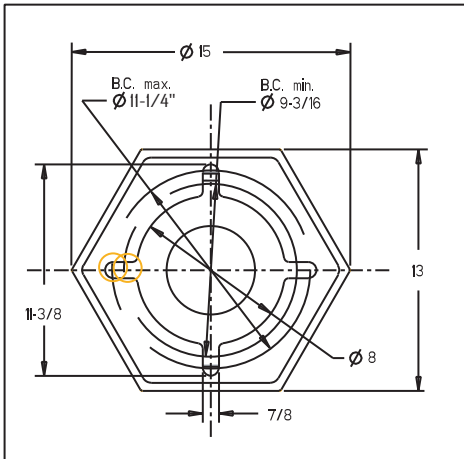


PD81172.3

17-1/2"



BOTTOM VIEW



07039 First Presbyterian Church  
Norfolk, VA

**Roof:** octagonal cast aluminum with cast aluminum spike finial

**Cage:** cast aluminum, octagonal

**Fitter:** cast aluminum with integral ballast compartment and round pole adaptor

**Ballast:** MH high power factor, multi (quad) tap, ANSI M153, with quick disconnects, mounted in the luminaire

**Wattage:** 250W **Voltage:** 277V

**Socket:** mogul **Lamp:** ED28 (by others)

**Diffuser:** frosted polycarbonate panels

**Optics:** segmented multifaceted IES III horizontal cutoff reflector

**GFI Receptacle:** GFI receptacle is located at 24" to center from top of the pole. Receptacle included; to be wired by others.

**Pole:** 4-1/2" SCH. 40 aluminum pipe (5"OD) welded in and over a cast aluminum base.

**Base:** one-piece cast aluminum with access door

**Anchor bolts:** 3/4" x 24"L, 3" hook, 3" projection, with two nuts and two washers each for leveling, installed on 11" bolt circle. Sturdy steel template included.

**Banner arms:** four 30"L x 1"OD aluminum banner arms, with aluminum break away couplings and cast aluminum 2"OD round removable finials. Couplings are threaded onto pipe tenons, which are welded onto the pole shaft. Banners by others.

**Finish:** TGIC polyester powder coat

**Date:** Dec. 17, 2008

**Model:** CSH1759-FP-25H-4-HR3-SP45-5RS-16-GFI-BAW22-30-BLK

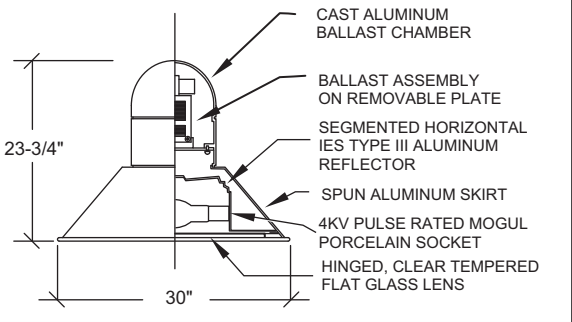
Sheridan  
lighting systems, inc.

Sheridan Lighting Systems, Inc.  
4 - 2525 Dunwin Dr  
Mississauga, ON L5L 1R9

T 905-369-0101 F 905-369-0102  
sales@sheridansys.com www.sheridansys.com

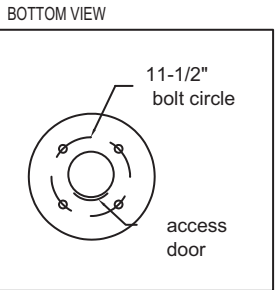
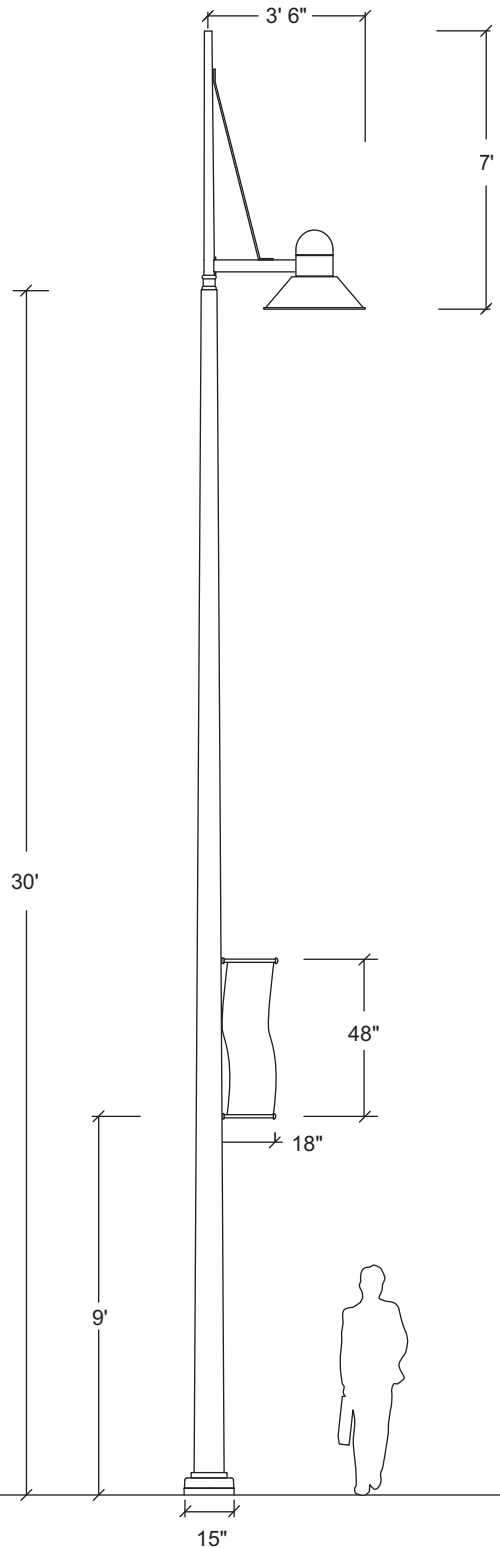


**VITRUVIAN PARK**  
**Addison, TX**



LUMINAIRE DETAILS

**PD92101**



**Ballast chamber:** heavy wall cast aluminum

**Decorative skirt:** spun aluminum, permanently attached to the domed ballast chamber.

**Diffuser:** hinged, clear tempered flat glass

**Optics:** segmented horizontal bright anodized reflector IES type III with full cutoff

**Ballast:** pulse start 400W MH, ANSI M155, multi (quad) tap, wired for \_\_\_\_V, with tool-less access and quick disconnects, mounted on a removable plate within the luminaire.

**Socket size:** mogul, porcelain, 4KV pulse rated

**Lamp:** ED28 (by others)

**Arm:** aluminum 2" x 3" rectangular extrusion welded to an aluminum column, with aluminum support beams.

**Configuration:** single

**Shaft:** round tapered steel, welded in and over a steel base plate.

**Base cover:** two-piece cast aluminum, attached to pole with tamper resistant s/s hardware.

**Anchor bolts:** four 36"L x 1"OD galvanized steel 55ksi min. yield bolts with 4" hook and 4" projection, with two nuts and two washers each and a steel template to install bolts on 11-1/2" bolt circle.

**Banner arms:** 1"OD x 18"L aluminum tubing threaded into steel hubs, which are welded onto the pole shaft. Comes with 2" cast aluminum removable half balls. Banners by others.

**All exposed hardware:** stainless steel

**Finish:** TGIC polyester powder coat

**Color:** silver

**Date:** Feb. 10, 2009  
**Model:** CSH3024-40M-VOLT-H3-CSA-A-SP25-MOD15-RTC-30-BAB-11-SLR

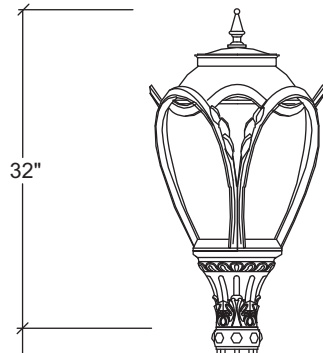


Sheridan Lighting Systems, Inc.  
 4-2525 Dunwin Dr  
 Mississauga, ON L5L 1R9

T 905-369-0101 F 905-369-0102  
 sales@sheridansys.com www.sheridansys.com

PD92231

17-1/2"

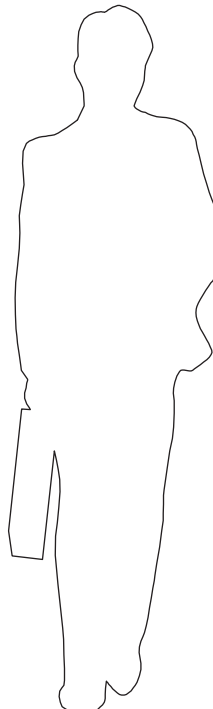


32"

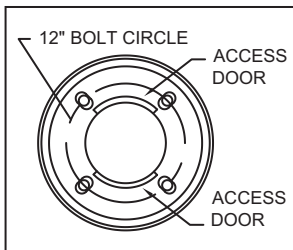
12'

Ø4"

59"



18"



**CITY OF LITCHFIELD, IL**

**Finial:** cast aluminum

**Roof:** heavy hage spun aluminum. Roof is hinged, with tool-less entry for ease of lamp replacement and ballast service

**Cage:** jig welded, cast aluminum

**Slip fitter/ballast housing:** cast aluminum, secured to the pole with three sets of two set screws

**Diffuser:** clear stippled acrylic

**Ballast:** high pressure sodium high power factor, multi (quad) tap, ANSI S55, with tool-less access and quick disconnects, mounted in the slip fitter on a removable plate.

**Wattage:** 150W                      **Voltage:** 277V

**Socket:** porcelain, mogul, 6KV pulse rated

**Lamp:** ED23-1/2 (by others)

**Optics:** roadway type multifaceted bright anodized segmented reflector for IES type III distribution, located in the roof of the luminaire

**Pole shaft:** round, fluted extruded aluminum, 4"OD, with 0.226" wall thickness, 16 flat flutes; welded in and over the pole base.

**Base:** one-piece cast aluminum, 18"OD x 59"H, with two cast aluminum access doors in the bottom of the base. Installs on four 3/4"OD x 24"L galvanized steel anchor bolts, 55ksi min. yield, with 3" hook, 3" projection, on a 12" bolt circle. Comes with anchor bolts, steel template and with two nuts and two washers per bolt for leveling

**GFI Receptacles:** two GFI receptacles with die-cast aluminum cover (not wet-while-in-use). Receptacle included. To be wired by others. SPECIFY LOCATIONS AS APPROPRIATE.

**Finish:** TGIC polyester powder coat

**Color:** standard black

**Date:** Feb. 23, 2009

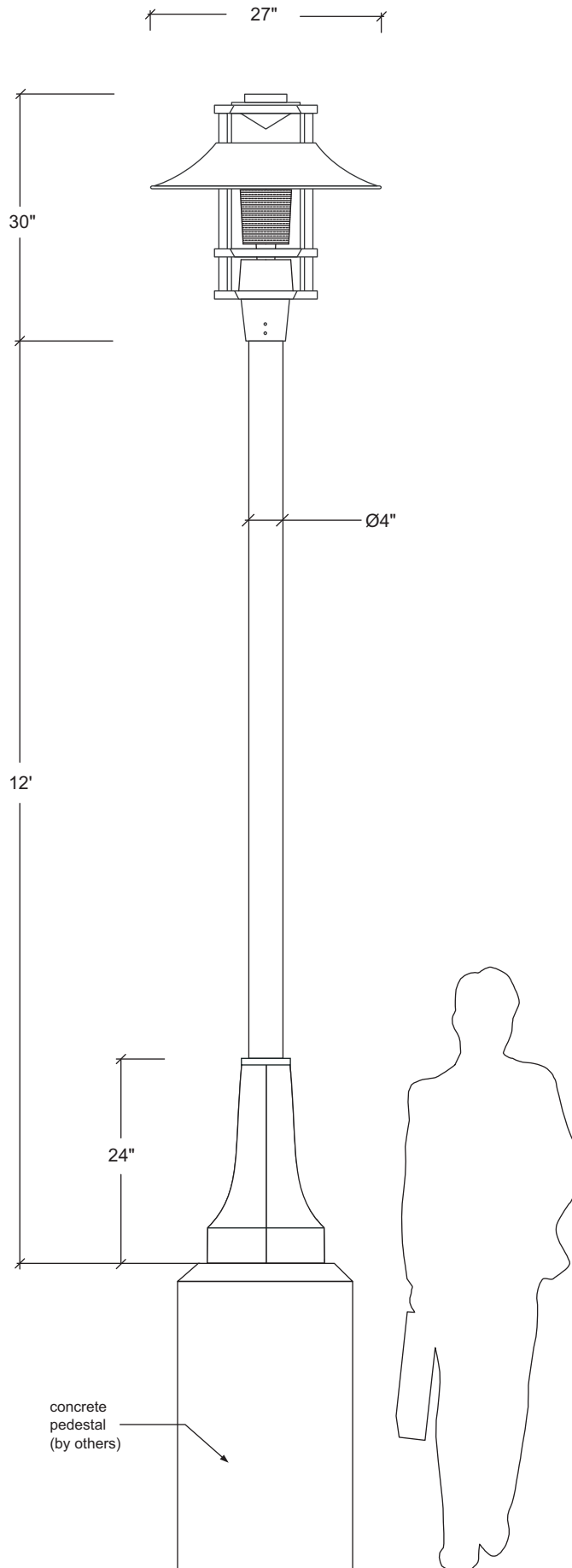
**Model:** SH20-MOD-SA-K-15H-4-CSP1859-FSA-12-2GFI-BLK

**Sheridan**  
lighting systems, inc.

Sheridan Lighting Systems, Inc.  
4-2525 Dunwin Dr  
Mississauga, ON L5L 1R9

T 905-369-0101                      F 905-369-0102  
sales@sheridansys.com                      www.sheridansys.com

PD92273



### NAVESINK HOUSE

Type SA2

**Custom contemporary luminaire with 9' pole, mounted on a concrete pedestal**

**Luminaire top:** cast aluminum.

**Shade:** heavy gage spun aluminum.

**Luminaire cage:** aluminum rod.

**Ballast:** high power factor pulse start metal halide, ANSI M102, with tool-less access and quick disconnects, mounted on a removable plate.

**Wattage:** 150W **Voltage:** TBA

**Socket:** mogul, porcelain, 4KV pulse-rated

**Lamp:** ED28 (by others)

**Optics:** 6" borosilicate glass refractor with IES type V distribution, mounted on a spun aluminum support cup, which is then fastened to a cast aluminum ballast holder

**Diffuser:** 10" round, clear acrylic tube. Slip fitter: cast aluminum.

**Listing:** per UL 1598 "suitable for wet locations".

**Pole shaft:** 3.5" sch. 40 (4"OD) aluminum pipe, welded in and over a cast aluminum base plate. Mounts onto four 3/4"OD x 24"L galvanized steel anchor bolts on a 8 1/2" bolt circle. Anchor bolts, two nuts and two washers per bolt and a steel template are included.

**Base cover:** two-piece cast aluminum, secured to the pole shaft with tamper resistant fasteners.

**All exposed hardware:** stainless steel

**Finish:** TGIC polyester powder coat.

**Color:** standard bronze

**Date:** Mar. 3, 2009

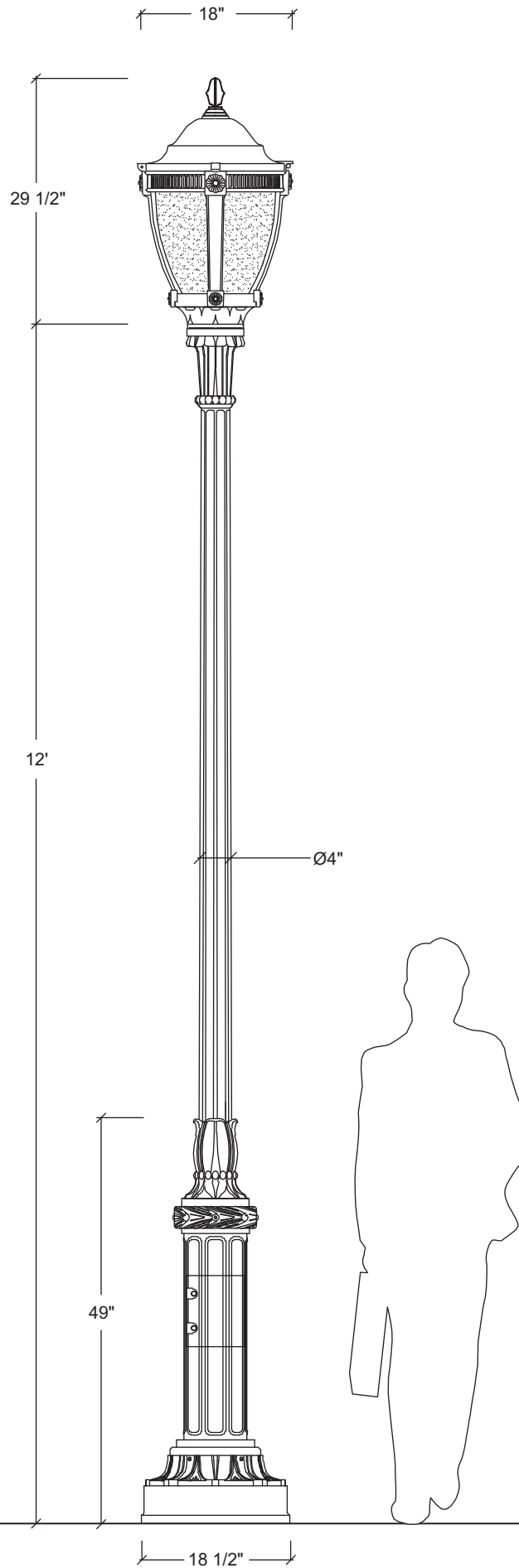
**Model:** CSH2730-CA-CF-15M-VOLT-R5-CSP1424-B-4-RSA-9-BRZ

**Sheridan**  
lighting systems, inc.

Sheridan Lighting Systems, Inc.  
4-2525 Dunwin Dr  
Mississauga, ON L5L 1R9

T 905-369-0101 F 905-369-0102  
sales@sheridansys.com www.sheridansys.com

PD94281



**NEW YORK CITY**

"B" pole with "Riverside" luminaire

**Finial:** black acrylic

**Roof:** heavy hage spun aluminum. Roof is hinged, with tool-less entry for ease of lamp replacement and ballast service

**Cage:** jig welded, cast aluminum

**Slip fitter/ballast housing:** cast aluminum, secured to the pole with three sets of two set screws

**Diffuser:** stippled acrylic or polycarbonate

**Ballast:** HID (HPS or MH), with tool-less access and quick disconnects, mounted in the slip fitter on a removable plate.

**Wattage:** 250W max      **Voltage:** multi-tap

**Socket:** porcelain, mogul, 6KV pulse rated

**Lamp:** as appropriate (by others)

**Optics:** roadway type multifaceted bright anodized segmented reflector for IES type III distribution, located in the roof of the luminaire

**Pole shaft:** 4"OD cast iron with eight flat flutes; welded in and over the pole base. Comes with integral cast iron capital for luminaire mounting. Cast iron as per ASTM A48 Class 30.

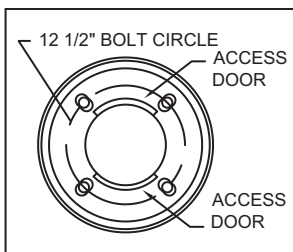
**Base:** one-piece cast iron, 18 1/2"OD x 49"H, with two cast iron access doors in the bottom of the base. Installs on four 3/4"OD x 24"L galvanized steel anchor bolts, 55ksi min. yield, with 3" hook, 3" projection, on a 12 1/2" bolt circle. Comes with anchor bolts, steel template and with two nuts and two washers per bolt for leveling

**Finish:** polyurethane wet paint OR red oxide primer

**Color:** color by architect. Five standard colors to choose from: black, green, bronze, white and grey. Other colors available upon request.

**Date:** Apr. 28, 2009

**Model:** SH20-MOD-SA/SP-CC-WATT-HPS/MH-VOLT-HR-3-CSP18549-FSC-12-COLOR



**Sheridan**  
lighting systems, inc.

Sheridan Lighting Systems, Inc.  
4-2525 Dunwin Dr  
Mississauga, ON L5L 1R9

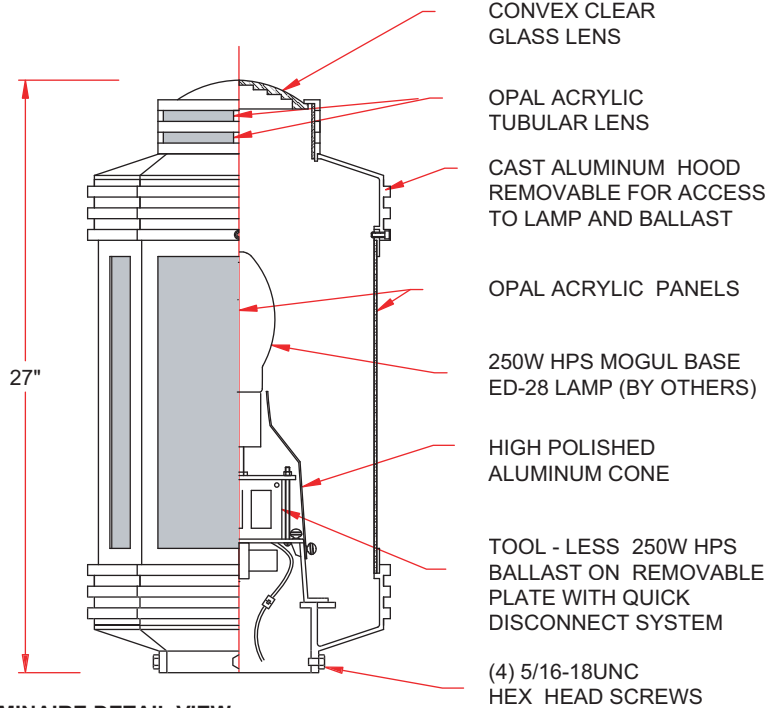
T 905-369-0101      F 905-369-0102  
sales@sheridansys.com      www.sheridansys.com



PD94142

**IMU FOOTBRIDGE**

*Abutment*



**LUMINAIRE DETAIL VIEW**

**Luminaire:** heavy wall cast aluminum

**Decorative top:** cast aluminum.

**Diffuser:** opal acrylic

**Optics:** bare lamp with a highly polished internal cone

**Ballast:** high power factor, HPS, ANSI S50, CWA, multi-tap, with tool-less access and quick disconnects, mounted on a removable plate.

**Wattage:** 250W

**Wired voltage:** PLEASE ADVISE

**Socket:** mogul, porcelain, 4KV pulse rated

**Lamp:** ED28 (by others)

**Pier support:** Cast aluminum base with fabricated shaft (1" aluminum angle frame and 0.188" th sheet)

**Mounting:** 4 x 3/4 "DIA x 10" L vibration-resistant wedge stud anchors or existing (please specify)

**Listing:** per UL 1598 "suitable for wet locations".

**Finish:** TGIC polyester powder coat

**Color:** color by architect. Five standard colors to choose from: black, green, bronze, white and grey. Other colors available upon request.

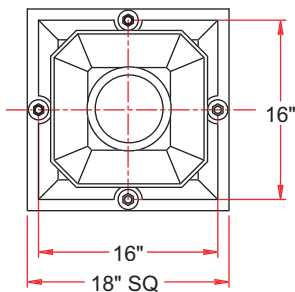
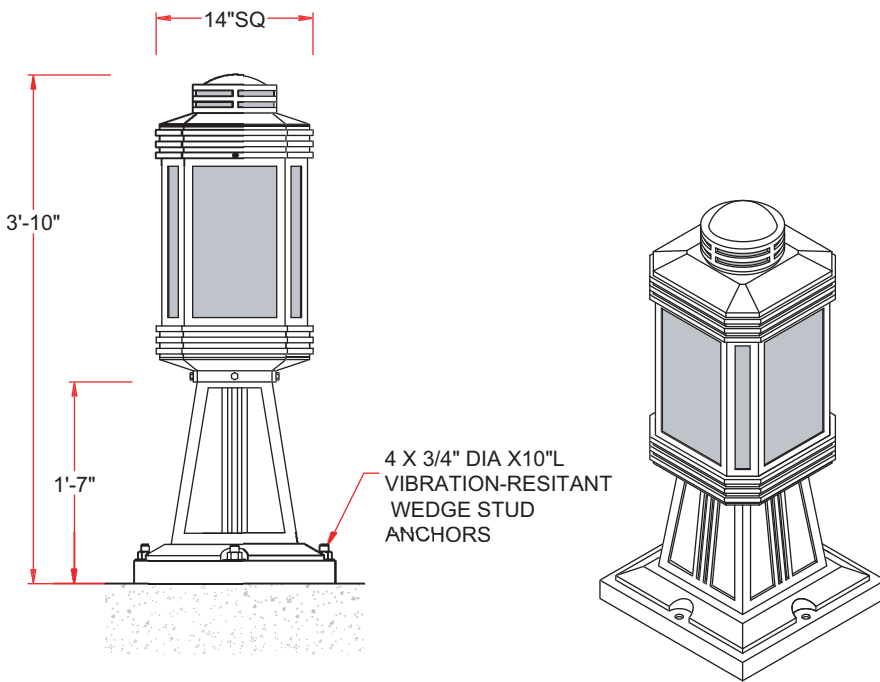
**Date:** Apr. 14, 2009

**Model:** CSH1414-WA-25H-VOLT-BA-PIER-19-COLOR

**Sheridan**  
lighting systems, inc.

Sheridan Lighting Systems, Inc.  
4 - 2525 Dunwin Dr  
Mississauga, ON L5L 1R9

T 905-369-0101 F 905-369-0102  
sales@sheridansys.com www.sheridansys.com

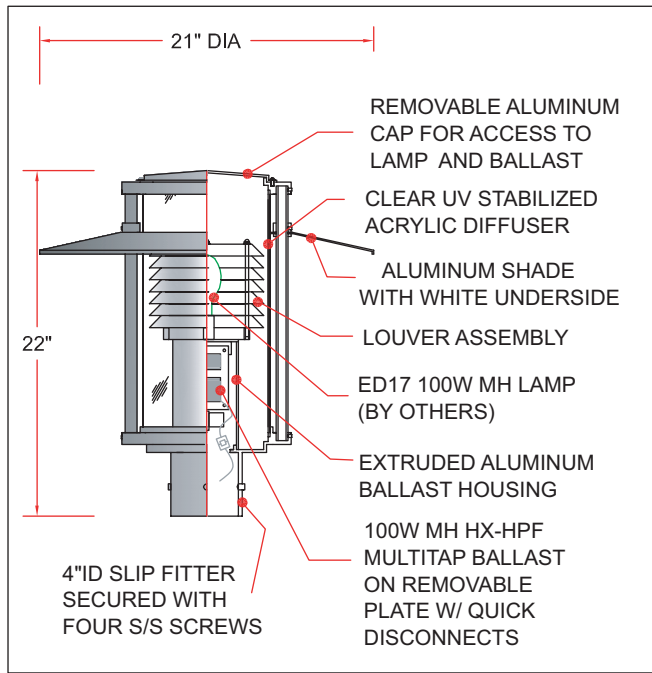


**TOP VIEW**

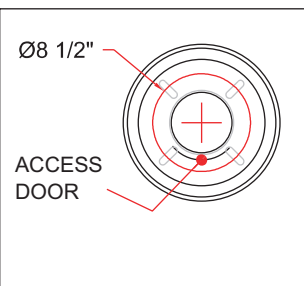
PD92251

**ALLEN EVENT CENTER**

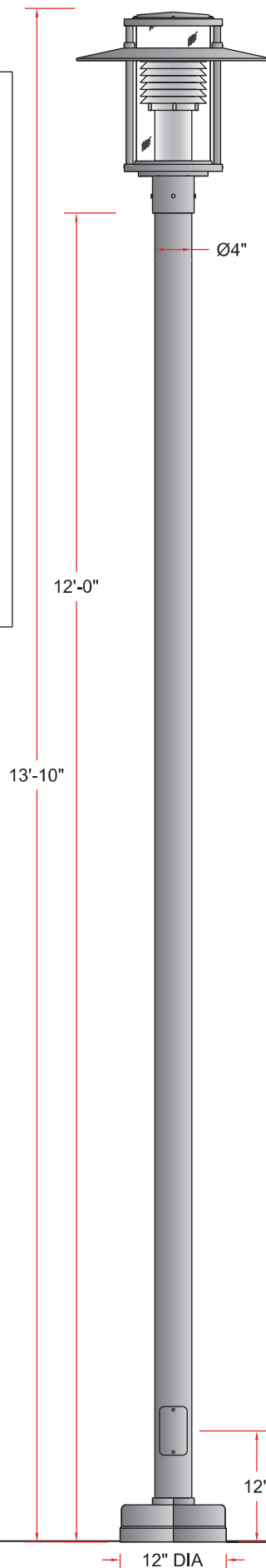
Type S1



LUMINAIRE DETAIL VIEW



ANCHORAGE DETAIL VIEW



**Contemporary luminaire and 12' pole assembly.**

**Top cap:** spun aluminum

**Diffuser:** clear acrylic

**Optics:** highly polished louver stack with IES type V distribution

**Slip fitter:** cast aluminum, secured to pole with four s/s set screws

**Lamp:** ED17 (by others)

**Ballast:** ANSI M90 pulse start high power factor metal halide, with quick disconnects, mounted on a removable plate

**Voltage:** 277V

**Socket:** medium porcelain 4KV pulse-rated

**Pole:** 4"OD x 12'H aluminum extrusion welded in and over a cast aluminum base plate.

**Base cover:** two-piece cast aluminum, secured with tamper-resistant hardware.

**Access door:** located at 12" to center from bottom of pole. Provision for ground lug (flat bar with 5/32" hole) opposite access door

**Installation:** comes with four 3/4"OD x 24"L galvanized steel anchor bolts with two nuts and two washers per bolt; installs on 8 1/2" bolt circle. Steel template included.

**Listing:** per UL 1598 "suitable for wet locations"

**Finish:** TGIC polyester powder coat

**Color:** silver

**Date:** May 22, 2009

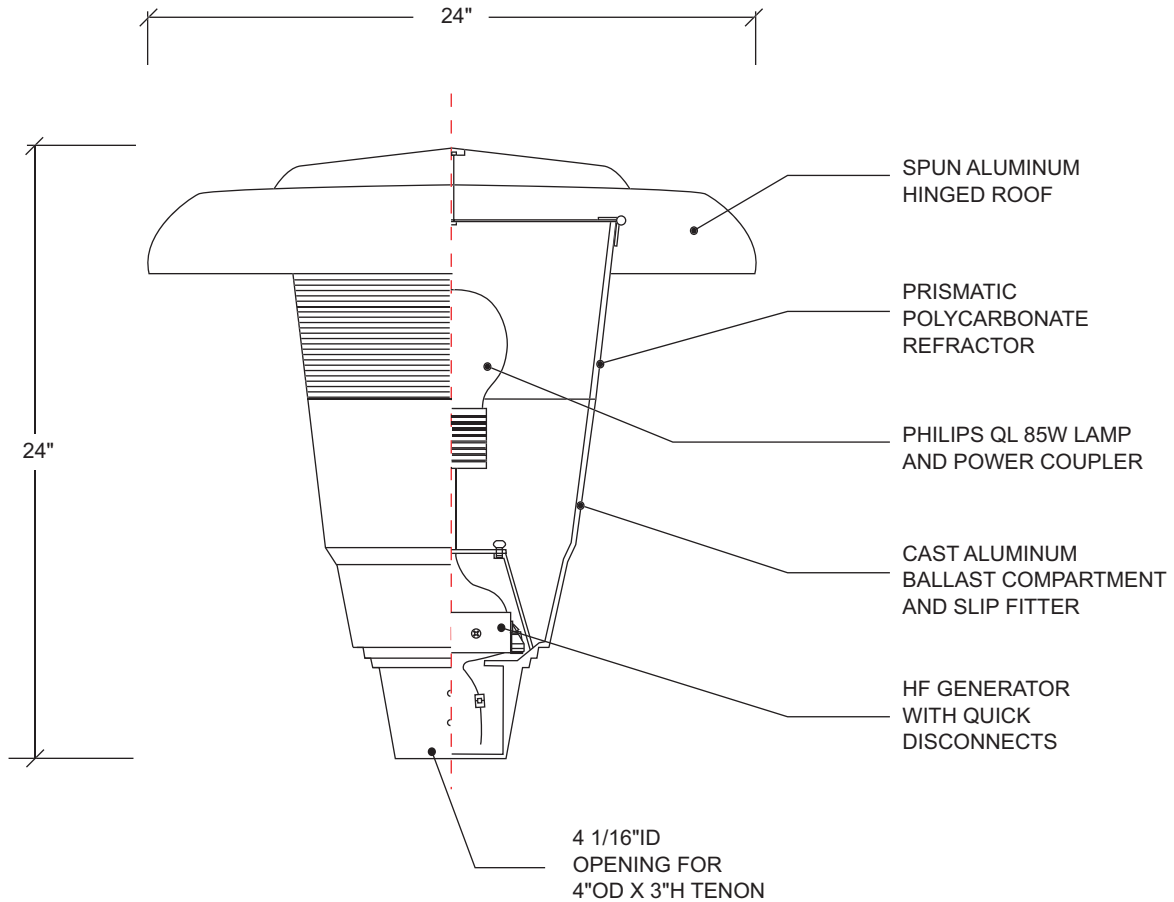
**Model:** CSH2122-CA-10M-4-LV-SP25-B-RSA-12-SLV

**Sheridan**  
lighting systems, inc.

Sheridan Lighting Systems, Inc.  
4 - 2525 Dunwin Dr  
Mississauga, ON L5L 1R9

T 905-369-0101 F 905-369-0102  
sales@sheridansys.com www.sheridansys.com

PD94301



**Top:** hinged, spun aluminum.

**Ballast:** Philips HF generator for QL system

**Wattage:** 85W

**Voltage:** LV (100-120V) or HV (200-277V) - **SPECIFY.**

**Socket:** Philips power coupler

**Lamp:** Philips 85W lamp (by others)

**Diffuser:** UV stabilized prismatic acrylic

**Optics:** IES type III or V (**SPECIFY**)

**Slip fitter:** cast aluminum

**Listing:** per UL 1598 "suitable for wet locations".

**Installation:** six s/s set screws spaced 120 degrees apart, slip fits onto a 4"OD x 3"H tenon.

**Finish:** TGIC polyester powder coat

**Color:** **SPECIFY.** Five standard colors to choose from: black, green, bronze, white and grey. Other colors available upon request.

**USF Patel Center**

**Date:** Apr. 30, 2009

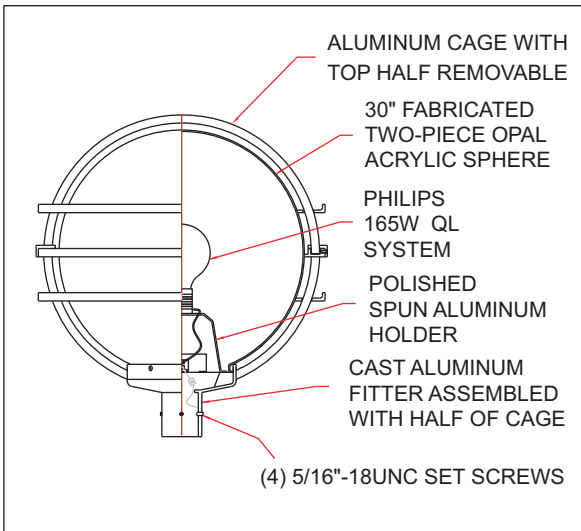
**Model:** CSH2424-PA-8QL-LV/HV-III/V-COLOR

**Sheridan**  
lighting systems, inc.

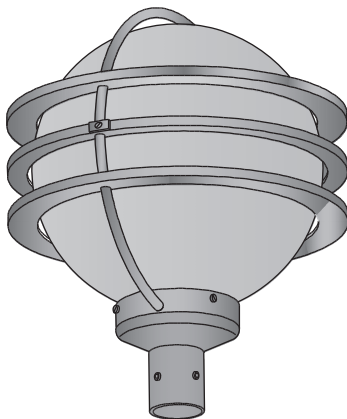
Sheridan Lighting Systems, Inc.  
4-2525 Dunwin Dr  
Mississauga, ON L5L 1R9

T 905-369-0101 F 905-369-0102  
sales@sheridansys.com www.sheridansys.com

**LUMINAIRE DETAIL**



**ISOMETRIC VIEW**



**Custom pier-mount spherical decorative luminaire, essentially as per specification.**

**Diffuser:** opal acrylic 30"OD sphere

**Decorative guard:** aluminum plate jig welded together.

**Ballast:** Philips HF generator for QL system

**Wattage:** 165W

**Voltage:** LV (100-120V) or HV (200-277V) - **SPECIFY.**

**Socket:** Philips power coupler

**Lamp:** Philips 165W lamp (included)

**Slip fitter:** cast aluminum

**Listing:** per UL 1598 "suitable for wet locations".

**Installation:** three s/s set screws spaced 120 degrees apart, slip fits onto a 3"OD x 3"H tenon.

**Pier-mount base:** cast aluminum with 3"OD x 3"H tenon. Mounts to surface with four wedge stud anchors (by others) on 6" bolt circle.

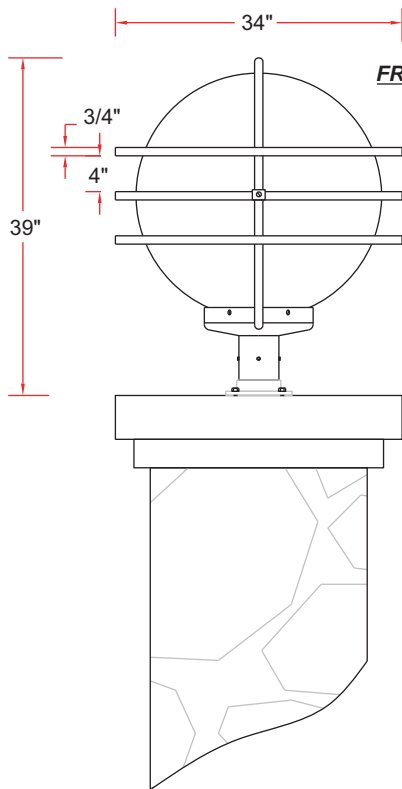
**Finish:** TGIC polyester powder coat

**Color:** **SPECIFY.** Five standard colors to choose from: black, green, bronze, white and grey. Other colors available upon request.

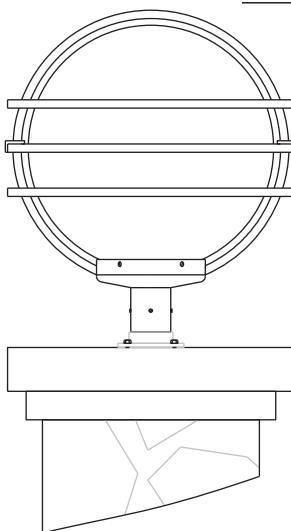
**Date:** May 18, 2009

**Model:** CSH3636-WA-16QL-VOLT-PR-COLOR

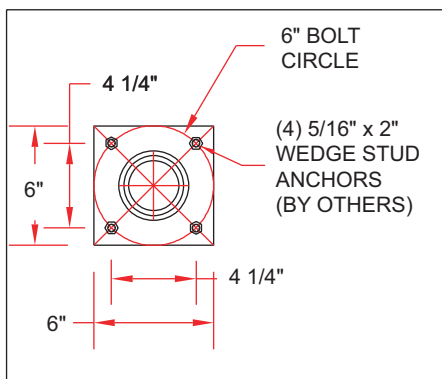
**FRONT VIEW**

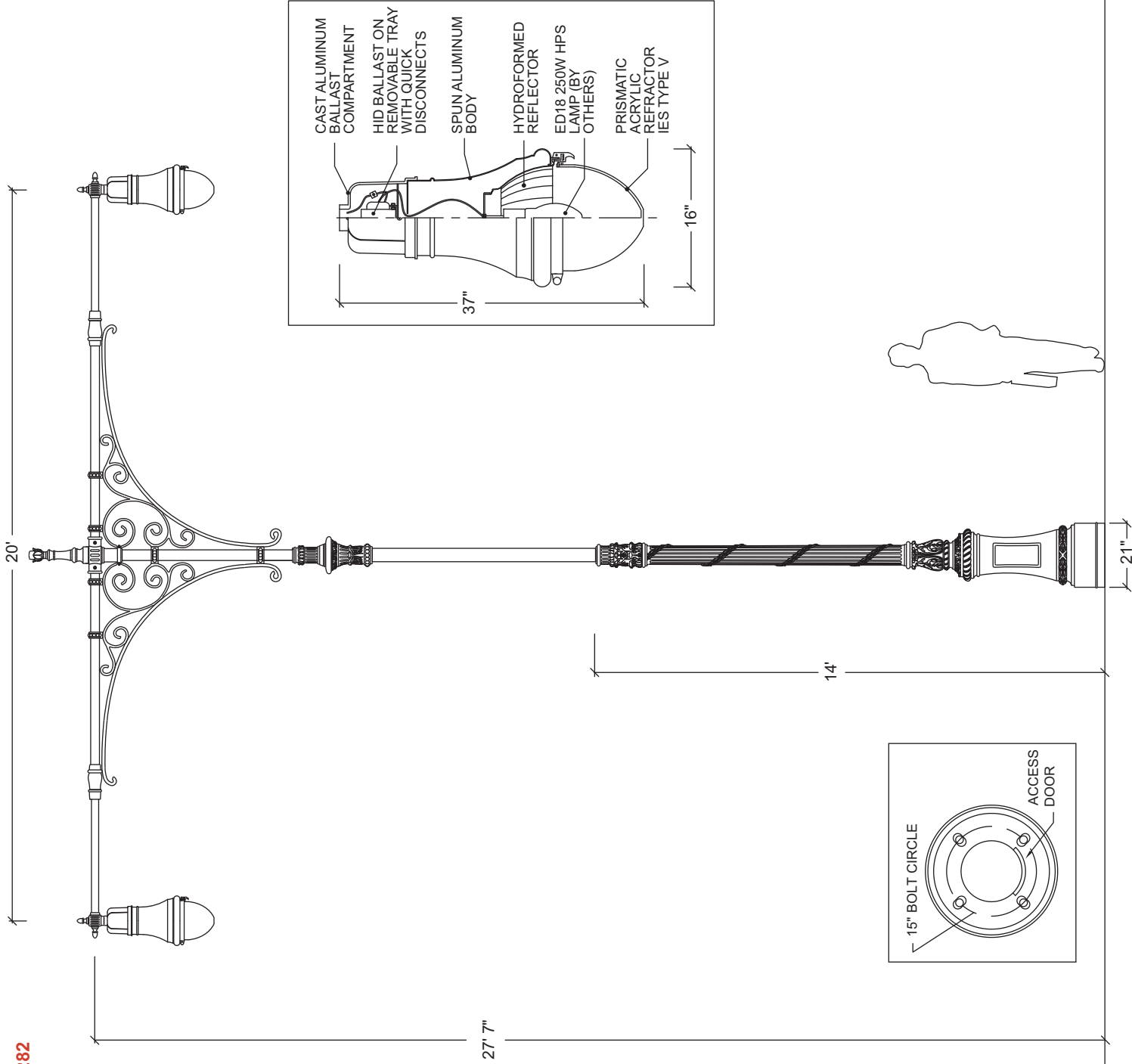


**SIDE VIEW**



6" BOLT CIRCLE





**NEW YORK CITY**

"M" pole with twin teardrop luminaire

**Ballast housing:** cast aluminum, with 2" NPT internal thread for tenon for mounting to the decorative arm

**Luminaire body:** heavy gauge spun aluminum

**Diffuser:** hinged, IES type III or V prismatic acrylic refractor with hydroformed aluminum reflector

**Ballast:** HID (HPS or MH), with tool-less access and quick disconnects, mounted in the slip fitter on a removable plate.

**Wattage:** 250W max    **Voltage:** multi-tap

**Socket:** porcelain, mogul, 6KV pulse rated

**Lamp:** as appropriate (by others)

**Arm:** aluminum pipe with cast aluminum decorative scrollwork and slip fitter

**Pole:** 21"OD, one-piece cast iron as per ASTM A48 Class 30, with cast iron access door. Installs on four 1"OD x 36"L galvanized steel anchor bolts, 55ksi min. yield, with 4" hook, 4" projection, on a 15" bolt circle. Comes with anchor bolts, steel template and with two nuts and two washers per bolt for leveling.

**Finish:** polyurethane wet paint OR red oxide primer

**Color:** color by architect. Five standard colors to choose from: black, green, bronze, white and grey. Other colors available upon request.

**Date:** Apr. 29, 2009

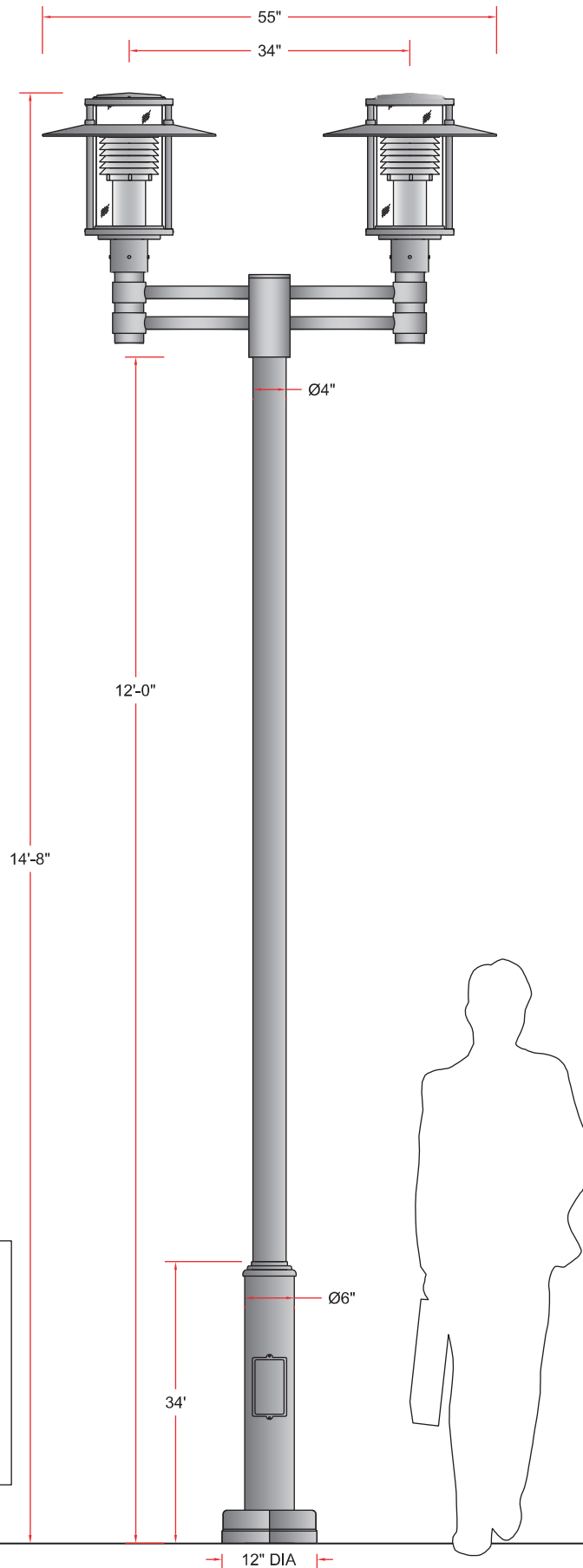
**Model:** CSH1637-A/P-HID-WATT-VOLT-CSA-B-120-CSP2165-FSC-20-COLOR

**Sheridan**  
lighting systems, inc.

Sheridan Lighting Systems, Inc.  
4-2525 Dunwin Dr  
Mississauga, ON L5L 1R9

T 905-369-0101    sales@sheridansys.com    www.sheridansys.com  
F 905-369-0102

PD95261



**ALLEN EVENT CENTER**

Type S1A

**Contemporary twin luminaire and 12' pole assembly.**

**Top cap:** spun aluminum

**Diffuser:** clear acrylic

**Optics:** highly polished louver stack with IES type V distribution

**Slip fitter:** cast aluminum, secured to pole with four s/s set screws

**Lamp:** ED17 (by others)

**Ballast:** ANSI M90 pulse start high power factor metal halide, with quick disconnects, mounted on a removable plate

**Voltage:** 277V

**Socket:** medium porcelain 4KV pulse-rated

**Arm:** aluminum.

**Configuration:** twin

**Pole:** 4"OD x 12'H aluminum extrusion welded in and over a 6"OD aluminum extrusion with a cast aluminum base plate.

**Base cover:** two-piece cast aluminum, secured with tamper-resistant hardware.

**Access door:** located at 12" to center from bottom of pole. Provision for ground lug (flat bar with 5/32" hole) opposite access door

**Installation:** comes with four 3/4"OD x 24"L galvanized steel anchor bolts with two nuts and two washers per bolt; installs on 8 1/2" bolt circle. Steel template included.

**Listing:** per UL 1598 "suitable for wet locations"

**Finish:** TGIC polyester powder coat

**Color:** silver

**Date:** May 26, 2009

**Model:** (2)CSH2122-CA-10M-4-LV-CSA-B-SP25-B-RSA-12-SLV



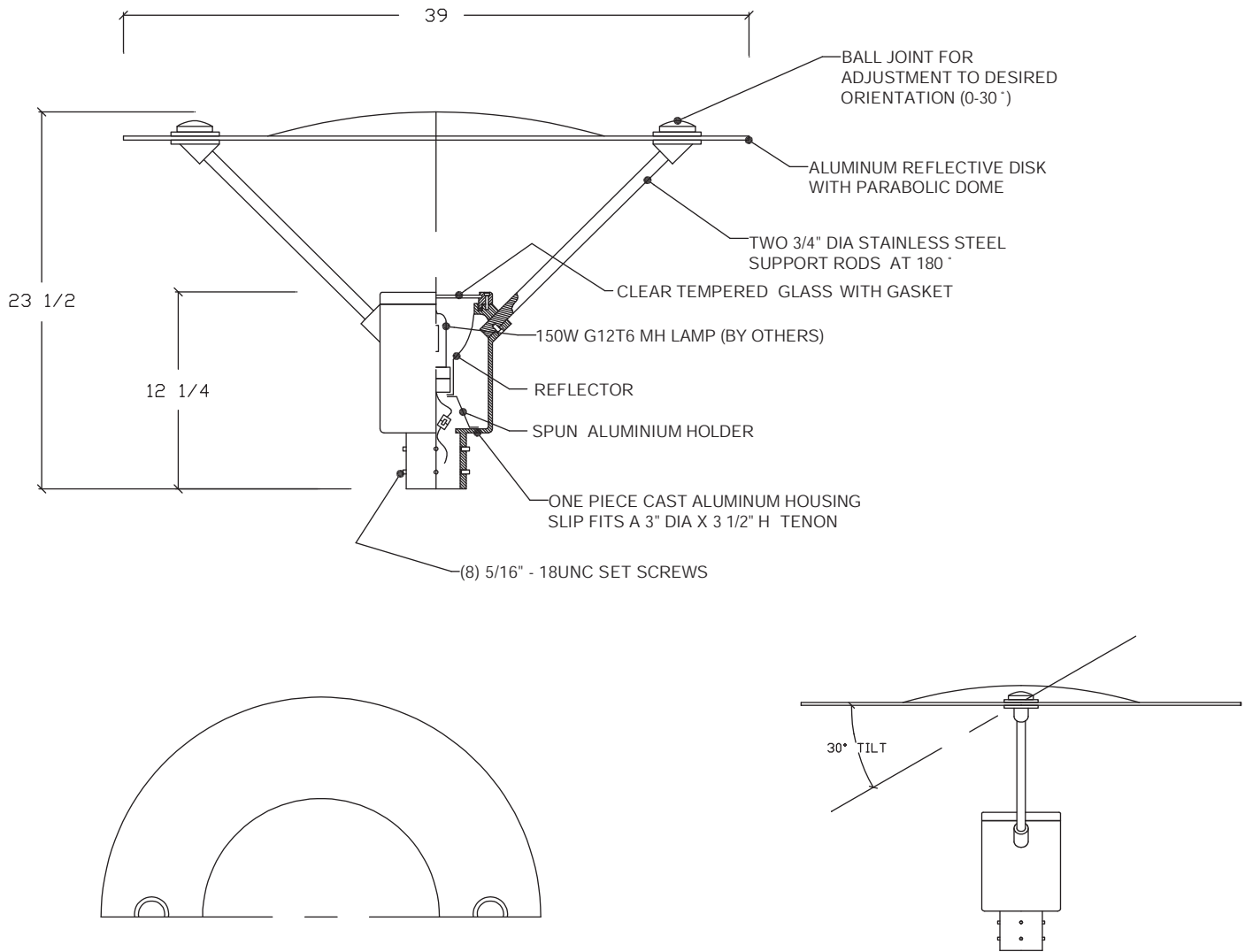
ANCHORAGE DETAIL VIEW

**Sheridan**  
lighting systems, inc.

Sheridan Lighting Systems, Inc.  
4 - 2525 Dunwin Dr  
Mississauga, ON L5L 1R9

T 905-369-0101 F 905-369-0102  
sales@sheridansys.com www.sheridansys.com





**Top:** aluminum disk with spun aluminum parabolic domed reflector, with two ball joints for 30° tilt. Top is supported with two s/s rods.

**Diffuser:** clear tempered glass with high temperature gasket.

**Slip fitter:** cast aluminum, to accept a 3"OD x 3-1/2"H tenon on pole side.

**Optics:** anodized aluminum reflector

**Socket:** G12                      **Voltage:** 480V

**Lamp:** 150W bi-pin T6 (by others)

**Ballast:** 150W, 480V, pulse start metal halide, mounted on a removable plate in base of the pole.

**All exposed hardware:** stainless steel

**Finish:** TGIC polyester powder coat

**Color:** five standard colors to choose from: black, white, green, bronze and grey. Custom colors extra.

**DELAWARE  
COMMUNITY COLLEGE**

*Type P - Luminaire Detail*

**Date:** October 16, 2008

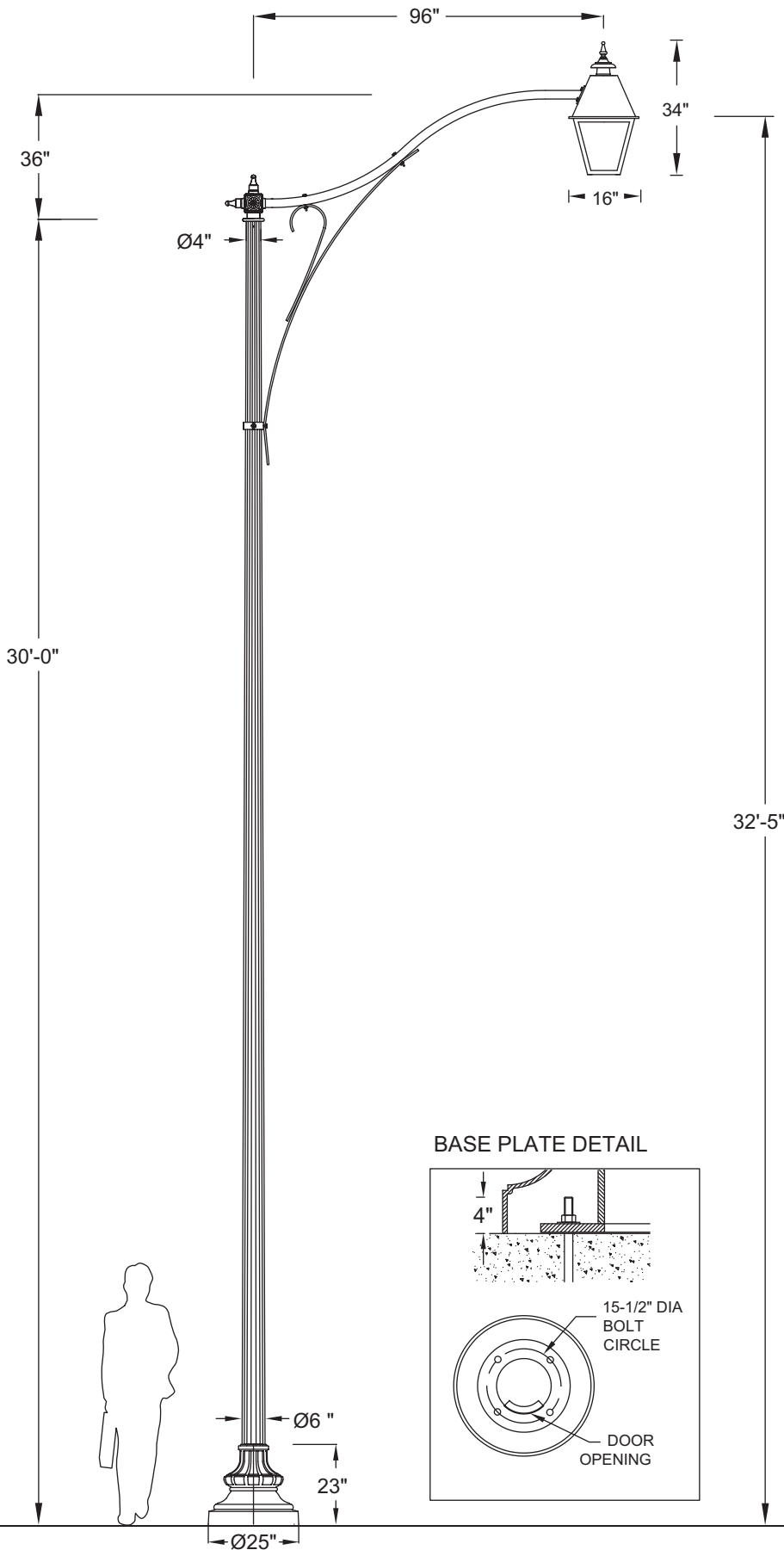
**Model:** CSH3924-15M-480-(SP25-5RSA-12-COLOR)

**Sheridan**  
lighting systems, inc.

Sheridan Lighting Systems, Inc.  
3500 Glen Erin Dr, Unit 44  
Mississauga, ON L5L 1W6

T 905-369-0101                      F 905-369-0102  
sales@sheridansys.com                      www.sheridansys.com

Dwg. #PD810203



**FT. LEAVENWORTH**  
**Type PH1 - Civilian Education**

**Luminaire housing:** cast aluminum hood with cast aluminum cage, spun aluminum cupola and cast aluminum finial

**Lens:** five clear UV stabilized acrylic panels

**Reflector:** multifaceted precision laser-cut aluminum cutoff reflector; field rotateable every 90 degrees; IES type II.

**Ballast:** 150W HPS high power factor, multi (quad) tap, wired at 277V, ANSI S55, with tool-less access and quick disconnects, mounted on a removable plate.

**Lamp:** ED23 1/2 (by others); horizontal burn

**Socket:** mogul porcelain 4kV, pulse rated

**Arm:** 2" sch 40 aluminum pipe (2-3/8"OD) welded to a cast aluminum column, with decorative flower elements, topped with decorative finials.

**Scroll:** 2" x 1/2" aluminum flat bar

**Mounting hardware:** included

**Pole:** 11 ga steel, galvanized, with 16 flutes, tapered from 6" at the bottom to 4" at the top, welded to a steel base plate, for installation on four 1" x 36"L galvanized steel anchor bolts, with two nuts and two washers per bolt on a 15-1/2" bolt circle (bolts, washers and leveling nuts by others).

**Base cover:** two-piece cast aluminum, with tamper resistant stainless steel hardware

**Finish:** TGIC polyester powder coat

**Color:** RAL 9011 Graphite Black

**Date:** October 20, 2008

**Model #:** SH50-M-15H-4-HR2-SA30-MOD-96-SP01-25-B-64FTC-30-BLK

**Sheridan**  
lighting systems, inc.

Sheridan Lighting Systems, Inc.  
4-2525 Dunwin Dr  
Mississauga, ON L5L 1R9

T 905-369-0101 F 905-369-0102  
sales@sheridansys.com www.sheridansys.com

PD93301

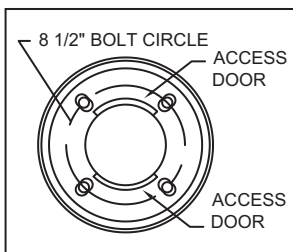
30"

29"

12'

Ø4"

12"



## CONTEMPORARY LUMINAIRE AND POLE

**Custom contemporary luminaire with 12' pole**

**Luminaire top:** cast aluminum.

**Shade:** heavy gage spun aluminum with white secondary spinning for the underside.

**Luminaire cage:** aluminum rod.

**Ballast:** high power factor pulse start metal halide, ANSI M90, with tool-less access and quick disconnects, mounted on a removable plate.

**Wattage:** 100W **Voltage:** TBA

**Socket:** mogul, porcelain, 4KV pulse-rated

**Lamp:** ED28 (by others)

**Optics:** bright anodized aluminum louver stack for full cutoff IES type V optics

**Diffuser:** 10" round, clear acrylic tube.

**Slip fitter:** cast aluminum.

**Listing:** per UL 1598 "suitable for wet locations".

**Pole shaft:** 3.5" sch. 40 (4"OD) aluminum pipe, welded in and over a cast aluminum base plate. Mounts onto four 3/4"OD x 24"L galvanized steel anchor bolts on a 8 1/2" bolt circle. Anchor bolts, two nuts and two washers per bolt and a steel template are included.

**Base cover:** two-piece cast aluminum, secured to the pole shaft with tamper resistant fasteners.

**All exposed hardware:** stainless steel

**Finish:** TGIC polyester powder coat.

**Color:** five standard colors: black, green, grey, bronze and white. Other colors by request.

**Date:** Mar. 30, 2009

**Model:** CSH2730-CA-CF-10M-VOLT-LV-SP25-B-RSA-12-COLOR

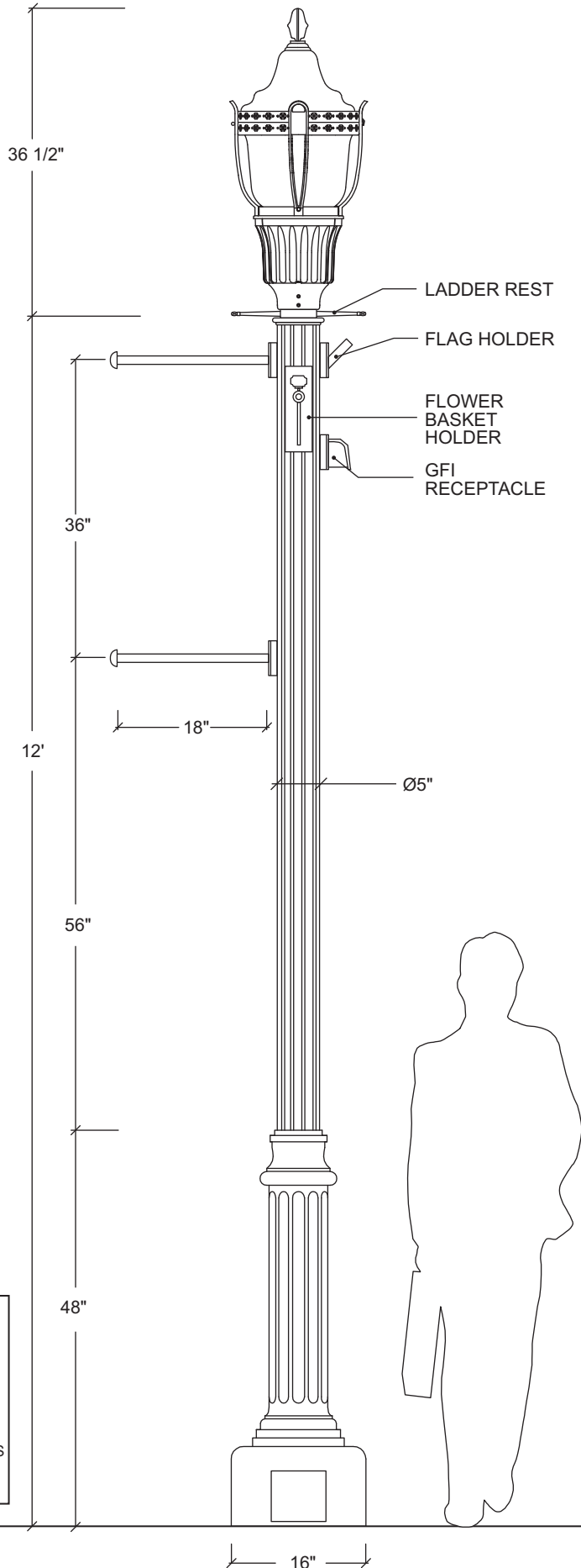
**Sheridan**  
lighting systems, inc.

Sheridan Lighting Systems, Inc.  
4-2525 Dunwin Dr  
Mississauga, ON L5L 1R9

T 905-369-0101 F 905-369-0102  
sales@sheridansys.com www.sheridansys.com

PD9341

16 1/2"



### SWEDSBORO STREETSCAPE

**Traditional acorn luminaire with 12' pole**

**Finial:** black acrylic

**Luminaire:** prismatic acrylic acorn two-piece diffuser. Top is hinged for ease access to lamp and ballast

**Cage:** jig welded cast aluminum, fastened to the slip filter with s/s fasteners

**Luminaire cage:** aluminum rod.

**Ballast:** high power H.I.D. (CONFIRM whether HPS or MH), with tool-less access and quick disconnects, mounted on a removable plate.

**Wattage:** CONFIRM **Voltage:** CONFIRM

**Socket:** mogul porcelain, 4KV pulse-rated

**Lamp:** TBA (by others)

**Optics:** IES type III or V distribution (CONFIRM), with or without internal reflector (CONFIRM)

**Pole shaft:** 5" OD aluminum extrusion, with 0.226" wall thickness and 12 flat flutes; shaft is welded in and over a cast aluminum base. Mounts onto four 3/4"OD x 24"L galvanized steel anchor bolts on 11" bolt circle. Anchor bolts, two nuts and two washers per bolt and a steel template are included.

**Base:** one-piece cast aluminum, with 6"W x 6 1/2"H access door

**Banner arm:** 1"OD x 18"L aluminum tube welded to a mounting plate and fastened to the pole; finished with a 2"OD cast aluminum half ball; one upper and one lower. CONFIRM locations.

**Flag holder:** 1"OD aluminum tubing welded to a mounting plate and fastened to the pole

**GFI:** die cast aluminum Pass & Seymour "wet while in use" receptacle cover. Receptacle and wiring by others.

**Flower basket holder:** daluminum extruded rectangle welded to a mounting plate and a cast aluminum decorative scroll, with 1"ID heavy duty eye bolt. Flower basket by others.

**Ladder rest:** cast aluminum

**All exposed hardware:** stainless steel

**Finish:** TGIC polyester powder coat.

**Color:** standard black

**Date:** Mar. 4, 2009

**Model:** SH12-CAGM-PA-5-CF-WATT-VOLT-CSP1648-5-FSA-12-WGFI-FLG-LDR-BAB11-FBC1-MOD-BLK

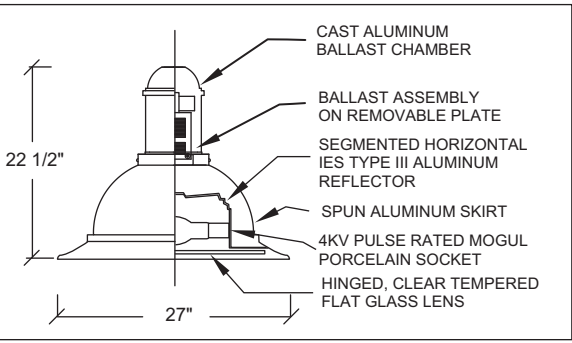
**Sheridan**  
lighting systems, inc.

Sheridan Lighting Systems, Inc.  
4-2525 Dunwin Dr  
Mississauga, ON L5L 1R9

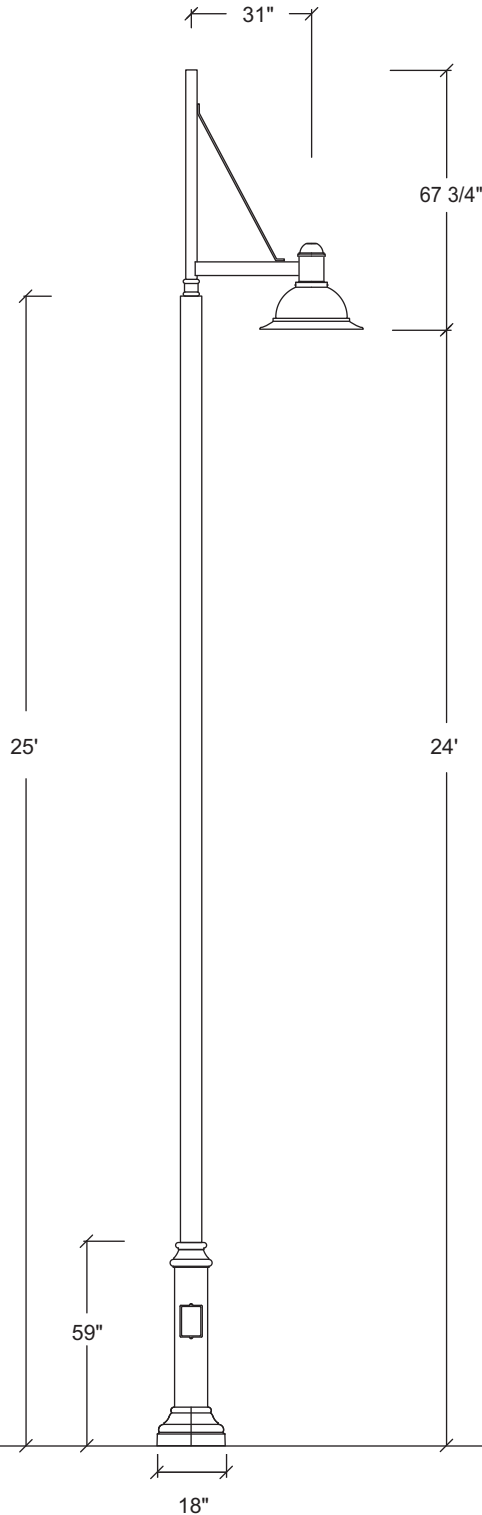
T 905-369-0101 F 905-369-0102  
sales@sheridansys.com www.sheridansys.com

PD94272.1

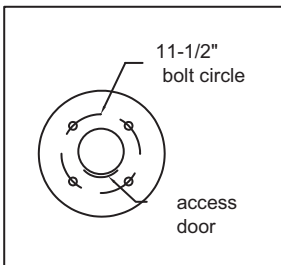
CAMP DODGE



LUMINAIRE DETAILS



BOTTOM VIEW



**Ballast chamber:** heavy wall cast aluminum

**Decorative skirt:** spun aluminum, permanently attached to the domed reflector chamber.

**Diffuser:** hinged, clear tempered flat glass

**Optics:** segmented horizontal bright anodized reflector IES type III with full cutoff

**Ballast:** pulse start 400W MH, ANSI M155, multi (quad) tap, wired for \_\_\_V, with tool-less access and quick disconnects, mounted on a removable plate within the luminaire.

**Socket size:** mogul, porcelain, 4KV pulse rated

**Lamp:** ED28 (by others)

**Arm:** aluminum 2" x 3" rectangular extrusion welded to an aluminum column, with aluminum support beams.

**Pole:** 5 9/16"OD, 0.25" wall, round smooth steel, welded in and over a 8 5/8"OD steel base, which is then welded to 1" base plate. Entire pole is galvanized.

**Base cover and upper collar:** two-piece cast aluminum, attached to pole with tamper resistant s/s hardware.

**Anchor bolts:** four 36"L x 1"OD galvanized steel 55ksi min. yield bolts with 4" hook and 4" projection, with two nuts and two washers each and a steel template to install bolts on 11-1/2" bolt circle.

**All exposed hardware:** stainless steel

**Finish:** TGIC polyester powder coat

**Color:** color by architect. Five standard colors to choose from: black, green, bronze, white and grey. Other colors available upon request.

**Date:** May 1, 2009

**Model:** SH80-MOD-40M-VOLT-H3-CSA-A-SP15-MOD18-RSC-25-COLOR

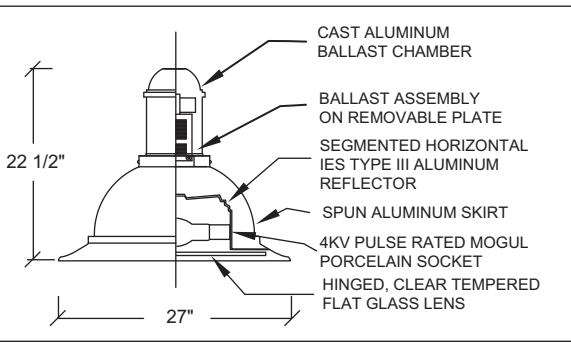


Sheridan Lighting Systems, Inc.  
4-2525 Dunwin Dr  
Mississauga, ON L5L 1R9

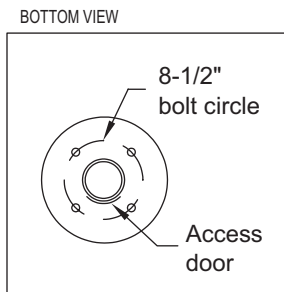
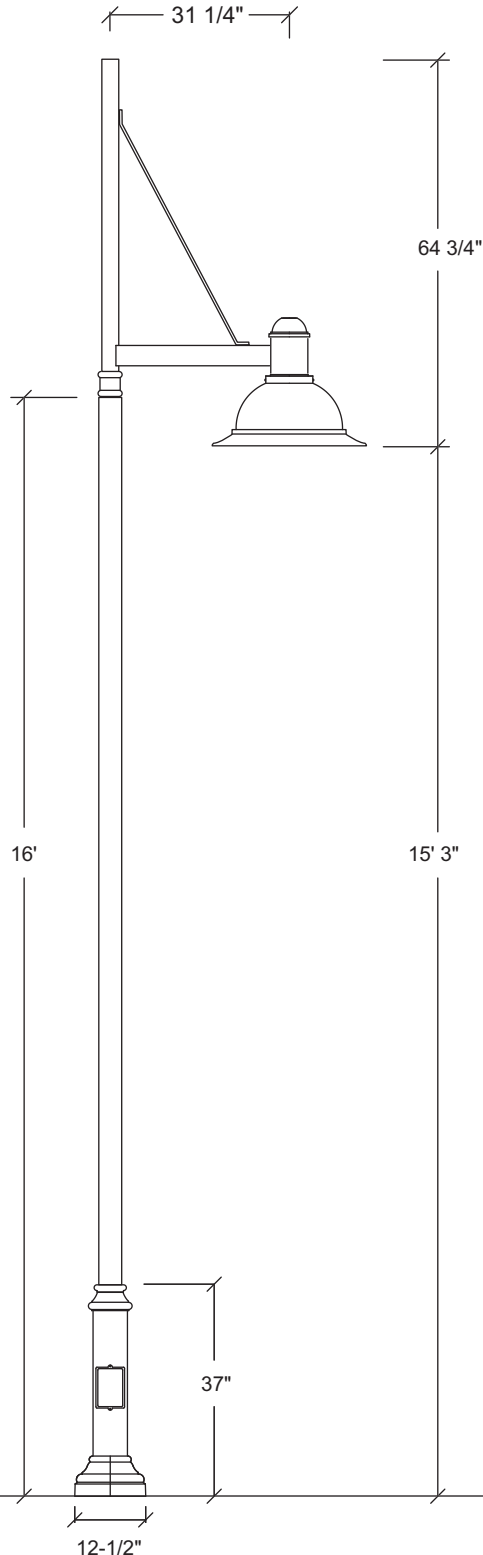
T 905-369-0101 F 905-369-0102  
sales@sheridansys.com www.sheridansys.com

PD94273.1

CAMP DODGE



LUMINAIRE DETAILS



**Luminaire ballast chamber:** heavy wall cast aluminum

**Decorative skirt:** spun aluminum, permanently attached to the domed reflector chamber.

**Diffuser:** hinged, clear tempered flat glass

**Optics:** segmented horizontal bright anodized reflector IES type III with full cutoff

**Ballast:** probe start 150W MH ANSI M102, multi (quad) tap, wired for \_\_\_V, with tool-less access and quick disconnects, mounted on a removable plate within the luminaire.

**Socket size:** mogul, porcelain, 4KV pulse rated

**Lamp:** ED28 (by others)

**Single arm:** cast aluminum, with separate cast aluminum decorative cap on pole side. Luminaire is secured with three set screws and one security bolt. Arm bolts onto the pole with two s/s bolts. All mounting hardware is included.

**Pole:** 4"OD round straight aluminum tube, 0.25" wall thickness, welded in and over a 6"OD lower section, which is welded to a cast aluminum base plate.

**Mounting:** four 3/4"OD x 24"L steel anchor bolts, with two nuts and two washers per bolt for leveling, 3" hook, 3" projection, installed on 8-1/2" bolt circle. Anchor bolts, hardware and steel templates supplied by Sheridan.

**Base cover and collar:** round, two-piece cast aluminum secured to the shaft with tamper-resistant hardware. Base covers ship separately, to be installed on site by contractor.

**Finish:** TGIC polyester powder

**Color:** color by architect. Five standard colors to choose from: black, green, bronze, white and grey. Other colors available upon request.

**Date:** May 1, 2009

**Model:** SH80-MOD-15M-VOLT-H3-CSA-A-SP15-RSA-16-COLOR

Sheridan  
lighting systems, inc.

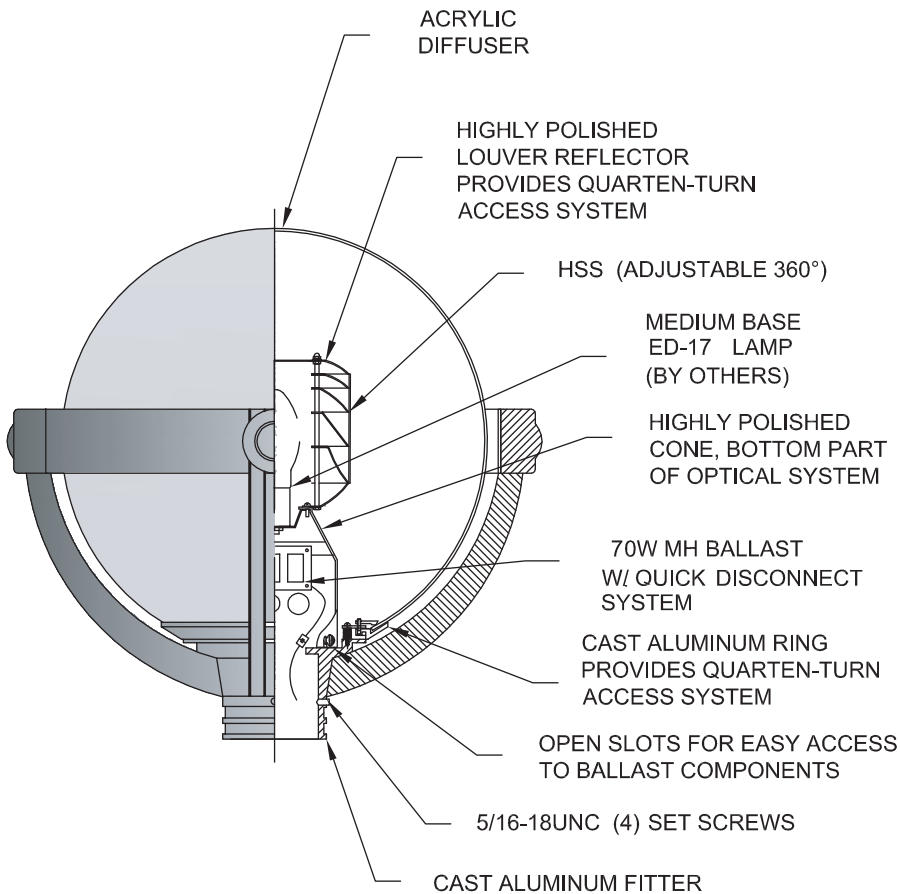
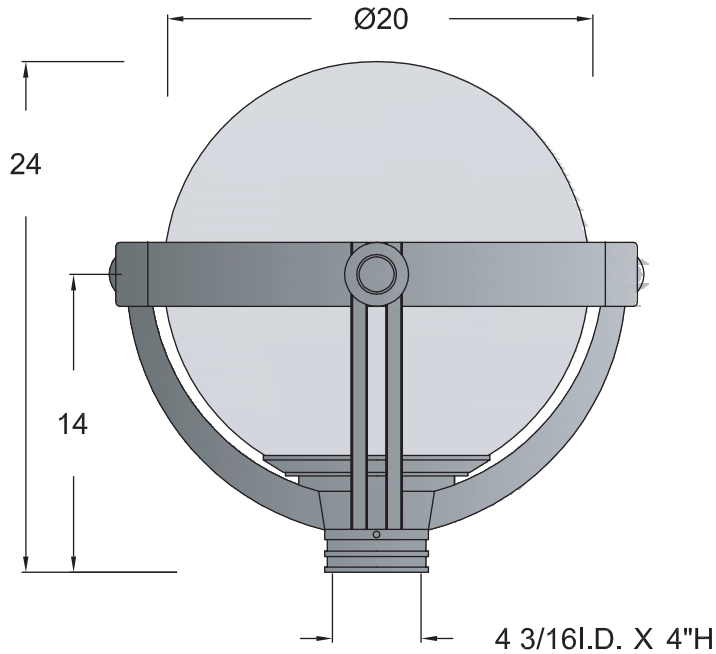
Sheridan Lighting Systems, Inc.  
4-2525 Dunwin Dr  
Mississauga, ON L5L 1R9

T 905-369-0101 F 905-369-0102  
sales@sheridansys.com www.sheridansys.com



PD97152

### MOLINE CITY CENTER



**Luminaire housing:** cast aluminum jig-welded filigree with decorative aluminum medallions.

**Diffuser:** UV stabilized clear acrylic, attached with a cast aluminum ring as part of a quarter-turn twist lock system

**Optics:** IES type III louver stack reflector full cutoff "dark sky" optics

**Lamp:** ED17 (by others)

**Ballast housing:** cast and spun aluminum

**Ballast:** metal halide, high power factor, autotransformer, pulse start, ANSI M98, mounted on a removable plate, with quick disconnects.

**Wattage:** 70W

**Voltage:** PLEASE ADVISE

**Photocontrol:** none

**Mounting:** accepts a 4"OD x 4"H tenon

**Listing:** ETL certified to UL 1598

**IP rating:** 65

**Exposed hardware:** stainless steel

**Finish:** textured TGIC polyester powder coat

**Color:** custom, per specifier

**Date:** Jul. 15, 2009

**Model:** SH15MOD-CA-7M-MT-LV-3-COLOR

**Sheridan**  
lighting systems, inc.

Sheridan Lighting Systems, Inc.  
4-2525 Dunwin Dr  
Mississauga, ON L5L 1R9

T 905-369-0101 F 905-369-0102  
sales@sheridansys.com www.sheridansys.com

## VILLAGE OF SESSER

### TWIN LUMINAIRES AND 10' DECORATIVE POLE ASSEMBLY

**Ballast housing:** heavy wall cast aluminum body.

**Ballast:** HPS high power factor, multi (quad) tap, ANSI S54, with tool-less access and quick disconnects, mounted on a removable plate.

**Wattage:** 100W **Voltage:** ADVISE

**Socket size:** medium

**Lamp size:** BD17 (lamps by others)

**Optics:** bare lamp

**Diffuser:** injection molded stippled acrylic

**Listing:** UL 1598 or ETL "suitable for wet locations"

**Arms/central column:** twin, ornamental cast aluminum arms, with integral cast aluminum column and finial

**Pole:** one-piece cast aluminum, with 10-flute cast aluminum shaft, tapering from 4" at the base to 3" at the top; one-piece cast base with integral base plate and cast aluminum access door. Installs on 8 1/2" bolt circle with four 3/4"OD x 24"L galvanized steel anchor bolts with two nuts and two washers per bolt. Steel template also included.

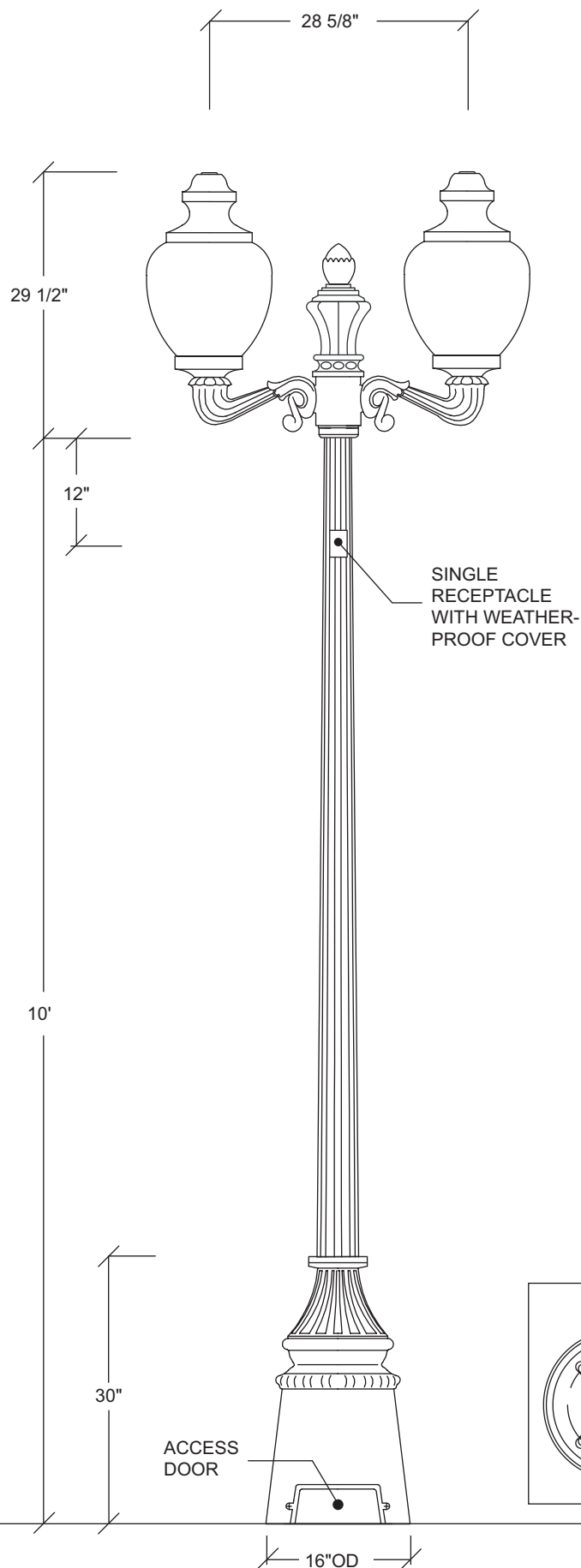
**Receptacle:** single 15A weatherproof receptacle. Receptacle and cover included. To be wired by others.

**Finish:** TGIC polyester powder coat

**Color:** black

**Date:** May 29, 2009

**Model:** (2)SH01-S-SA-CF-10H-VOLT-CA-B-CSP01V-FTA-10-SR-BLK

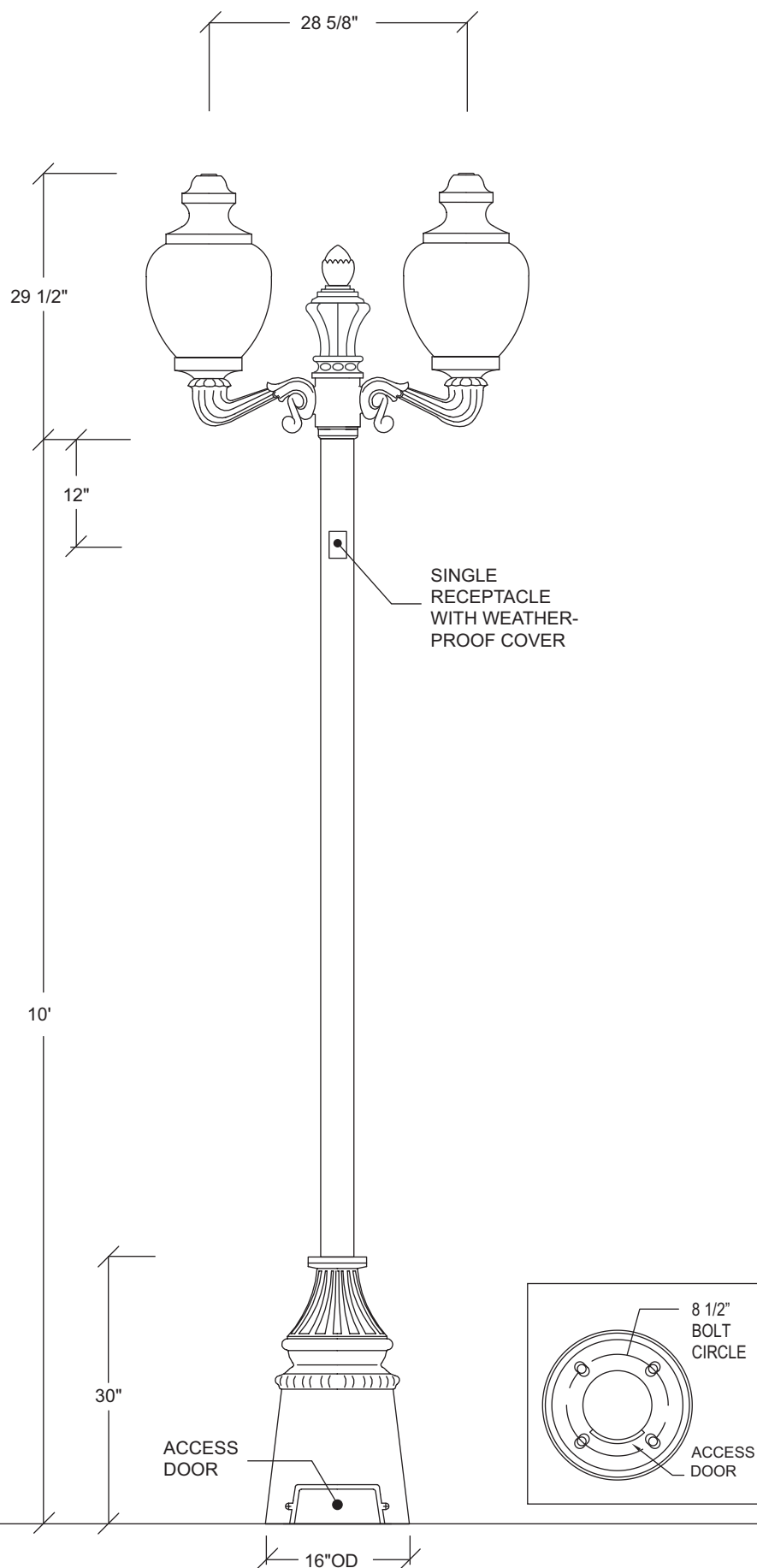


**Sheridan**  
lighting systems, inc.

Sheridan Lighting Systems, Inc.  
4-2525 Dunwin Dr  
Mississauga, ON L5L 1R9

T 905-369-0101 F 905-369-0102  
sales@sheridansys.com www.sheridansys.com

PD92571.1



## VILLAGE OF SESSER

### TWIN LUMINAIRES AND 10' DECORATIVE POLE ASSEMBLY

**Ballast housing:** heavy wall cast aluminum body.

**Ballast:** HPS high power factor, multi (quad) tap, ANSI S54, with tool-less access and quick disconnects, mounted on a removable plate.

**Wattage:** 100W **Voltage:** ADVISE

**Socket size:** medium

**Lamp size:** BD17 (lamps by others)

**Optics:** bare lamp

**Diffuser:** injection molded stippled acrylic

**Listing:** UL 1598 or ETL "suitable for wet locations"

**Finial:** none

**Arms/central column:** twin, ornamental cast aluminum arms, with integral cast aluminum column and finial

**Pole:** one-piece cast aluminum, with a round, smooth 3.5" sch. 40 aluminum pipe welded in and over the cast aluminum base; one-piece cast base with integral base plate and cast aluminum access door. Installs on 8 1/2" bolt circle with four 3/4"OD x 24"L galvanized steel anchor bolts with two nuts and two washers per bolt. Steel template also included.

**Receptacle:** single 15A weatherproof receptacle. Receptacle and cover included. To be wired by others.

**Finish:** TGIC polyester powder coat

**Color:** standard smooth semi-gloss black

**Date:** June 3, 2009

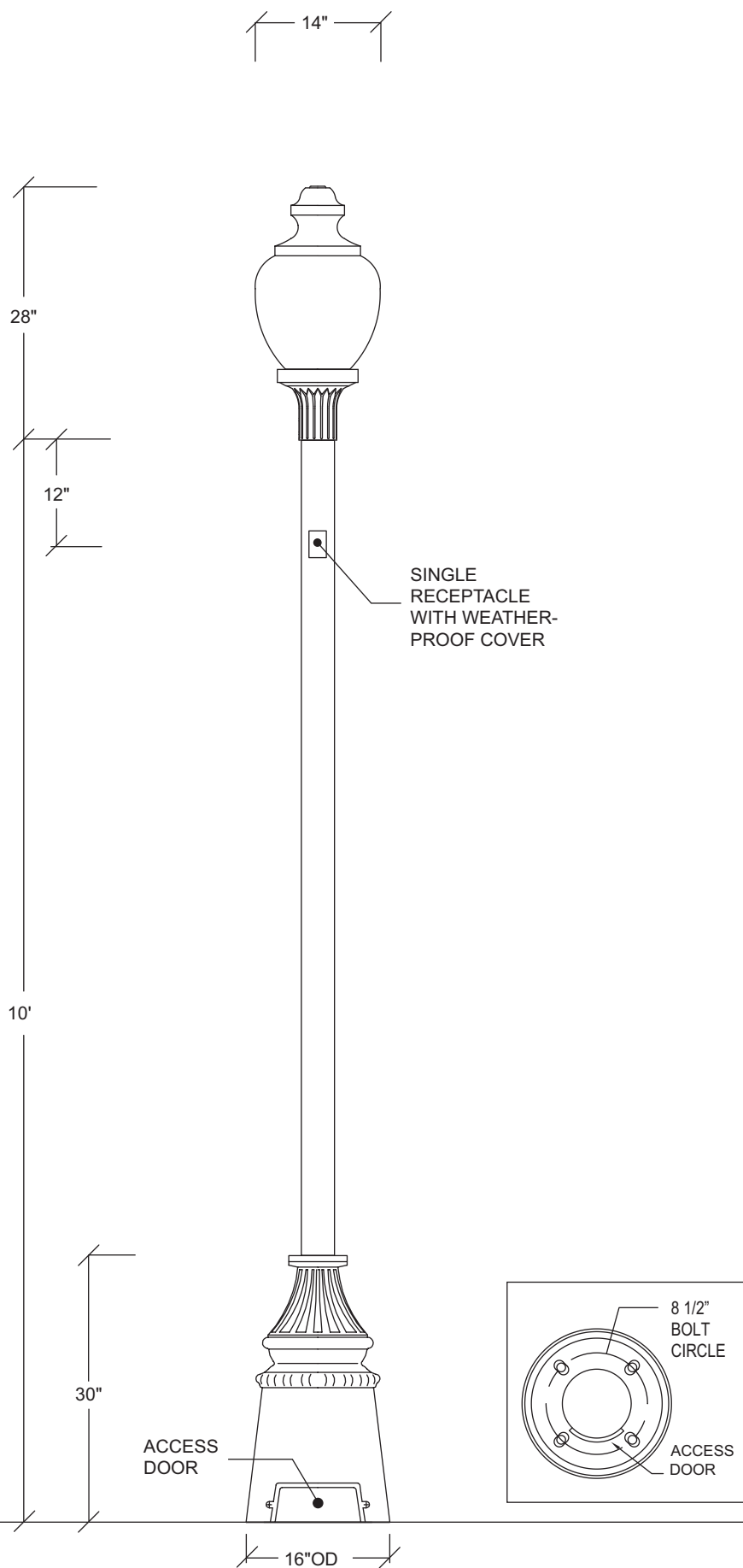
**Model:** (2)SH01-S-SA-CF-10H-VOLT-CA-B-CSP01V-RSA-10-SR-BLK

**Sheridan**  
lighting systems, inc.

Sheridan Lighting Systems, Inc.  
4-2525 Dunwin Dr  
Mississauga, ON L5L 1R9

T 905-369-0101 F 905-369-0102  
sales@sheridansys.com www.sheridansys.com

PD92572.1



## VILLAGE OF SESSER

### SINGLE LUMINAIRE AND 10' DECORATIVE POLE ASSEMBLY

**Ballast housing:** heavy wall cast aluminum body.

**Ballast:** HPS high power factor, multi (quad) tap, ANSI S54, with tool-less access and quick disconnects, mounted on a removable plate.

**Wattage:** 100W **Voltage:** ADVISE

**Socket size:** medium

**Lamp size:** BD17 (lamps by others)

**Optics:** bare lamp

**Finial:** none

**Diffuser:** injection molded stippled acrylic

**Listing:** UL 1598 or ETL "suitable for wet locations"

**Pole:** one-piece cast aluminum, with a round, smooth 3.5" sch. 40 aluminum pipe welded in and over the cast aluminum base; one-piece cast base with integral base plate and cast aluminum access door. Installs on 8 1/2" bolt circle with four 3/4"OD x 24"L galvanized steel anchor bolts with two nuts and two washers per bolt. Steel template also included.

**Receptacle:** single 15A weatherproof receptacle. Receptacle and cover included. To be wired by others.

**Finish:** TGIC polyester powder coat

**Color:** standard smooth semi-gloss black

**Date:** June 3, 2009

**Model:** SH01-S-SA-H-10H-VOLT-NF-CSP01V-RSA-10-SR-BLK

**Sheridan**  
lighting systems, inc.

Sheridan Lighting Systems, Inc.  
4-2525 Dunwin Dr  
Mississauga, ON L5L 1R9

T 905-369-0101 F 905-369-0102  
sales@sheridansys.com www.sheridansys.com

PD96242

GRAND OAK

**10' DECORATIVE POLE AND CAGED ACORN LUMINAIRE**

**Finial:** cast aluminum

**Diffuser:** stippled acrylic

**Cage:** cast aluminum, jig welded together

**Slip fitter:** cast aluminum

**Ballast:** MH high power factor, multi (quad) tap, with quick disconnects, mounted on a removable plate.

**Wattage:** 150W **Voltage:** 120V

**Socket size:** mogul

**Lamp size:** ED28 (lamps by others)

**Optics:** borosilicate glass refractor IES type III

**Shaft:** 4"OD x 0.125" thick round smooth extruded aluminum, welded in and over the cast aluminum base

**Base:** one-piece cast aluminum with oversized cast aluminum access door and integral base plate.

**Access door:** oversized cast aluminum access door for ease of anchoring, secured with tamper resistant s/s hardware. Provision for ground lug opposite access door.

**Anchor bolts:** four 24"L x 3/4"OD galvanized steel 55ksi min. yield bolts with 3" hook and 3" projection, with two nuts and two washers each and a steel template to install bolts on 8 1/2" bolt circle. Bolts, nuts, washers and templates included.

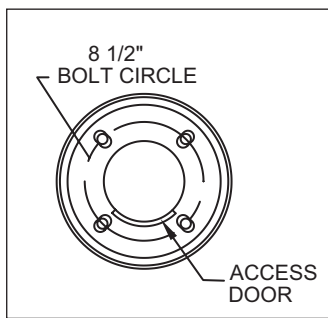
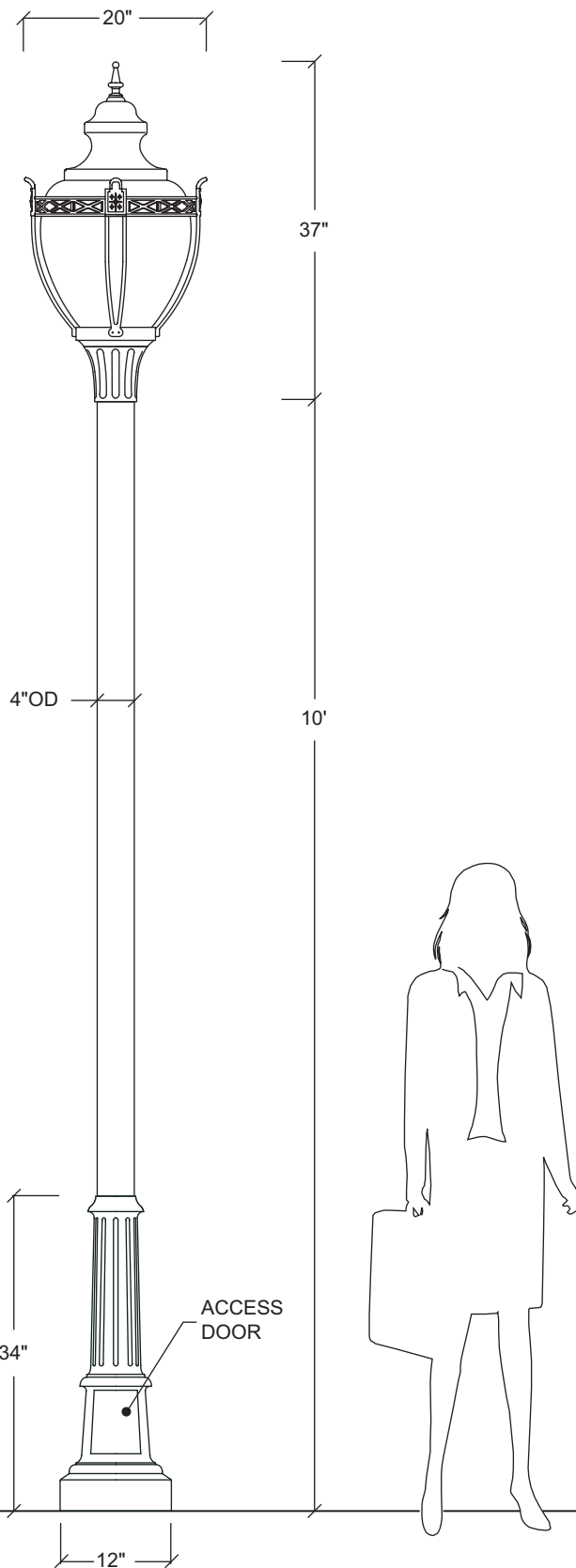
**All exposed hardware:** stainless steel

**Finish:** TGIC polyester powder coat

**Color:** standard smooth semi-gloss black

**Date:** Jun. 24, 2009

**Model:** SH01-L-SA-H-15M-MT-R3-FA-SP30MOD-RS-10-BLK

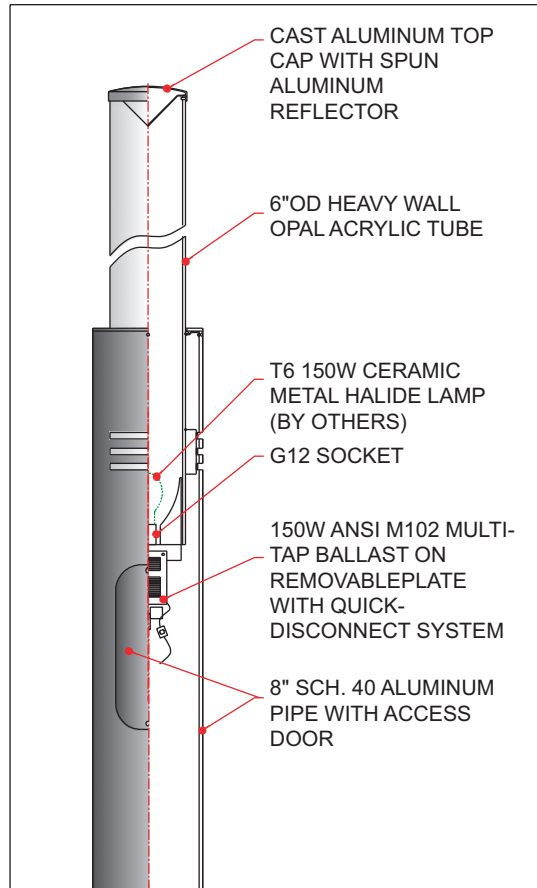


**Sheridan**  
lighting systems, inc.

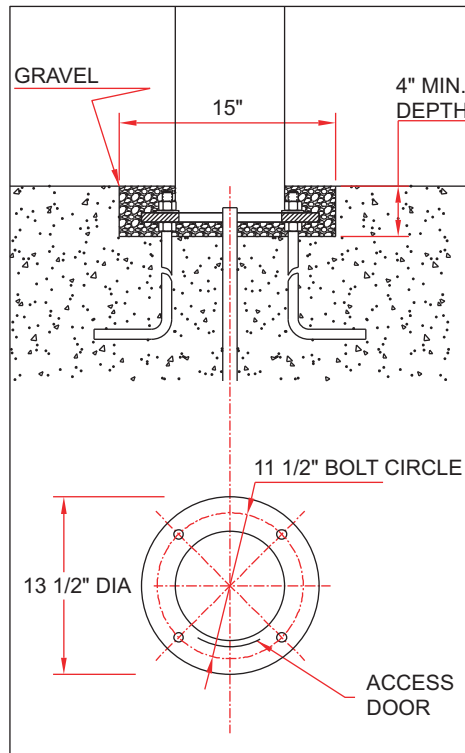
Sheridan Lighting Systems, Inc.  
4-2525 Dunwin Dr  
Mississauga, ON L5L 1R9

T 905-369-0101 F 905-369-0102  
sales@sheridansys.com www.sheridansys.com

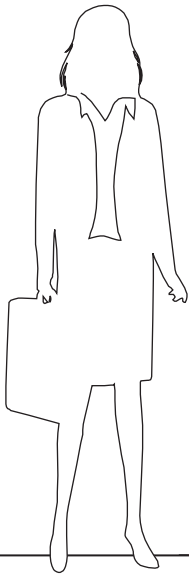
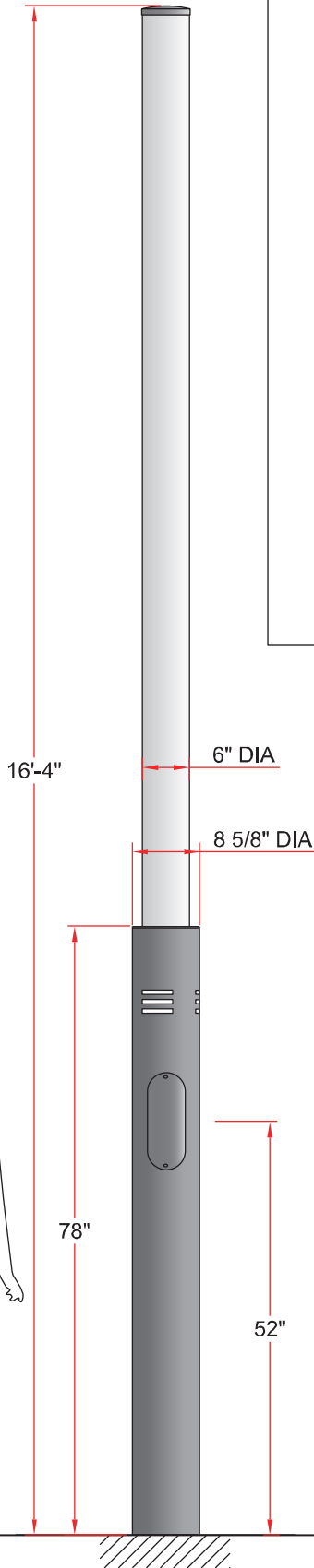
PD98251



**LUMINAIRE DETAIL**



**ANCHORAGE DETAIL**



**LIGHT COLUMN**

**16' LIGHT COLUMN**

**Top cap:** cast aluminum

**Diffuser:** opal acrylic

**Ballast:** MH CWA, ANSI M102 multi (quad) tap, with quick disconnects, mounted on a removable plate.

**Wattage:** 150W      **Voltage:** TBA

**Socket:** G12      **Lamp:** T6 (by others)

**Optics:** dual polished spun aluminum reflector

**Pole:** 8" sch. 40 (8 5/8"OD) aluminum pipe welded in and over a 13 1/2"OD x 3/4" thick cast aluminum base plate

**Installation:** four 3/4"OD x 24"L galvanized steel anchor bolts with two nuts and two washers per bolt, installed on 11 1/2" bolt circle. All hardware and steel templates included.

**All exposed hardware:** stainless steel

**Listing:** "suitable for wet locations" as per UL 1598

**Finish:** smooth semi-gloss TGIC polyester powder top coat

**Color:** five standard colors to choose from: black (BLK), white (WHT), green (GRN), bronze (BRZ) and grey (GRY). Other colors available for an additional charge.

**Date:** Aug. 25, 2009

**Model:** CSH6010-15CMH-(VOLT)-CSP12MOD-66-COLOR



Sheridan Lighting Systems, Inc.  
4-2525 Dunwin Dr  
Mississauga, ON L5L 1R9

T 905-369-0101      F 905-369-0102  
sales@sheridansys.com      www.sheridansys.com

PD96301

**NORTH LIBERTY  
Cornerstone Park**

**Luminaire ballast chamber:** heavy wall cast aluminum, with quarter-turn locking mechanism and a security bolt

**Decorative skirt:** spun aluminum, permanently attached to the domed reflector chamber.

**Diffuser:** clear polycarbonate

**Lens guard:** aluminum rod, jig welded together, with three horizontal rings

**Optics:** prismatic acrylic refractor with IES type III (asymmetric) distribution

**Ballast:** high power factor, high pressure sodium 150W ANSI S55, multi (quad) tap, wired for 120V, with quick disconnects, mounted on a removable plate within the luminaire

**Socket size:** medium, porcelain, 4KV pulse rated

**Lamp:** BD17 (by others)

**Single arm:** aluminum round extrusions welded to two horizontal aluminum rectangles, decorated with an aluminum scroll and finished with a cast aluminum cap

**Pole:** round tapered aluminum tube, 0.25" wall thickness, welded in and over a cast aluminum base plate. Cast aluminum door at 24" to center from bottom of pole. Provision for ground lug opposite the access door.

**Mounting:** four 3/4"OD x 24"L steel anchor bolts, with two nuts and two washers per bolt for leveling, 3" hook, 3" projection, installed on 11 1/2" bolt circle. Anchor bolts, hardware and steel templates supplied by Sheridan.

**Base cover:** two-piece cast aluminum, secured with tamper resistant hardware

**Finish:** TGIC smooth semi-gloss polyester powder

**Color:** standard black

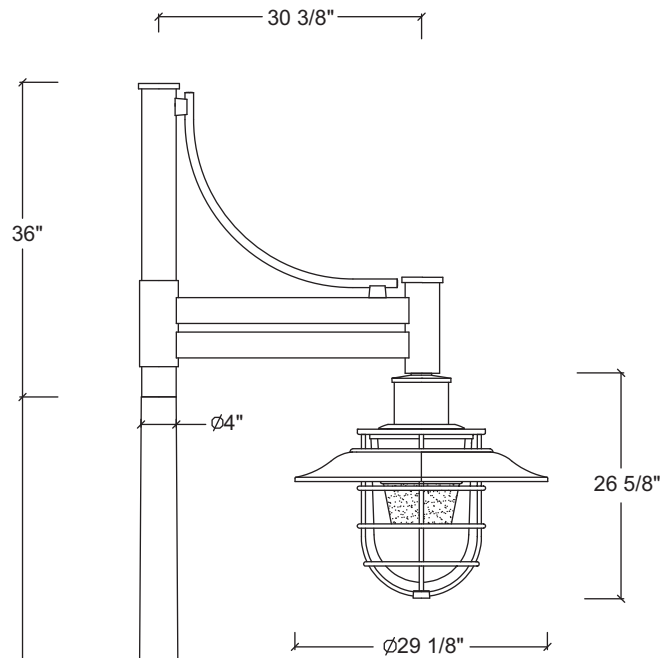
**Date:** June 30, 2009

**Model:** SH70-CP-15H-1-A3-SA15-A-SP10MOD-B-64RTA-14-BLK

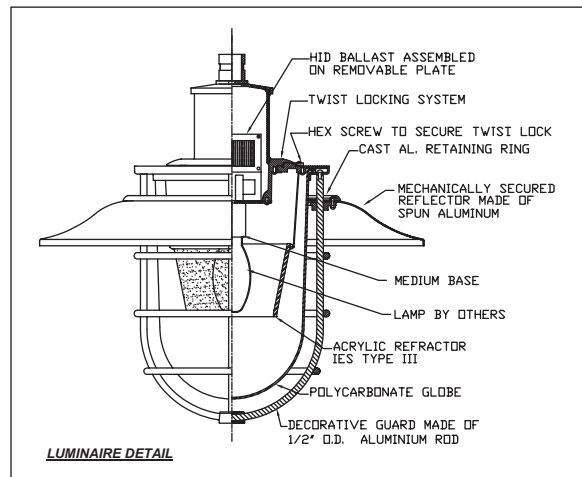
**Sheridan**  
lighting systems, inc.

Sheridan Lighting Systems, Inc.  
4-2525 Dunwin Drive  
Mississauga, ON L5L 1R9

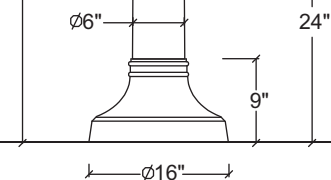
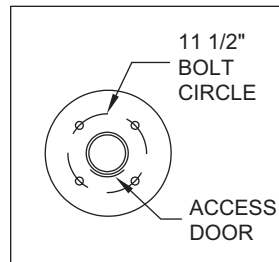
T 905-369-0101 F 905-369-0102  
sales@sheridansys.com www.sheridansys.com



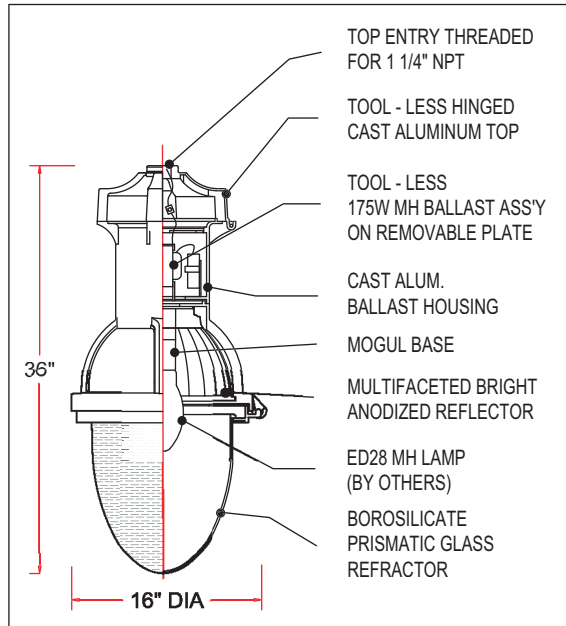
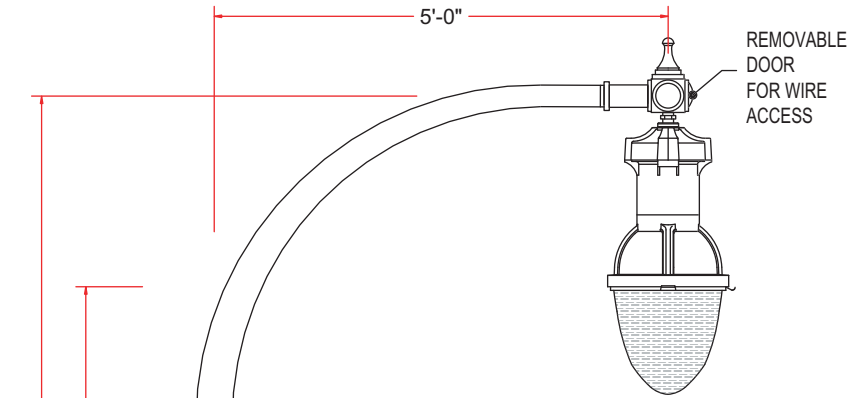
14'



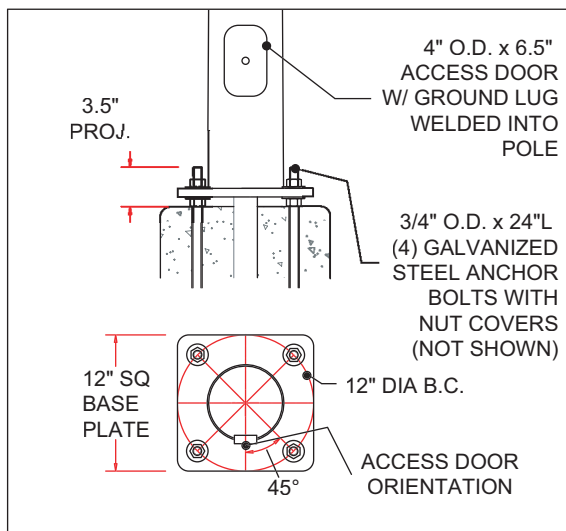
BOTTOM VIEW



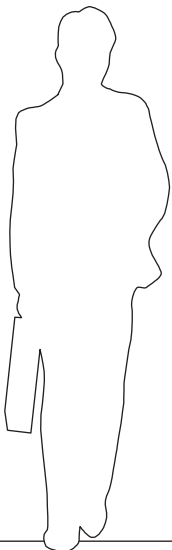
PD9771



LUMINAIRE DETAIL VIEW



ANCHORAGE DETAIL VIEW



**UNIVERSITY OF ALABAMA**

**Ballast chamber:** hinged, heavy wall cast aluminum, with tool-less entry and top threaded for 1 1/4" NPT

**Optics:** hinged, borosilicate glass refractor with IES type III distribution; upper bright anodized hydroformed reflector

**Ballast:** pulse start 175W MH, CWA, ANSI M152, multi (quad) tap, wired for \_\_\_\_V, with tool-less access and quick disconnects, mounted on a removable plate within the luminaire.

**Socket:** mogul, porcelain, 4KV pulse rated

**Lamp:** ED28 (by others)

**Arm:** Smooth, curved and tapered 6063-T6 aluminum arm with a cast aluminum fitter. Arm shall terminate in 2 3/8 dia. straight section for luminaire fitter mounting. Topped with a cast aluminum finial.

**Arm fitter:** cast aluminum, with removable access door for ease of wiring and with integral plumbizer for leveling of luminaire. Secures to arm with s/s bolts.

**Pole:** 11ga (0.1198") round tapered smooth steel, tapering from 5 3/4" at the bottom to 4 1/2" at the top, welded in and over a steel 3/4" thick, 12" square base plate. Entire pole is galvanized.

**Access door:** located at 12" to center from bottom of pole. Provision for ground lug opposite the access door.

**Anchor bolts:** four 36"L x 1"OD galvanized steel 55ksi min. yield bolts with 4" hook and 3 1/2" projection, with two nuts and two washers each and a steel template to install bolts on 12" bolt circle. Bolts, nuts, templates and cast aluminum nut covers included.

**All exposed hardware:** stainless steel

**Finish:** smooth semi-gloss TGIC polyester powder coat

**Color:** black

**Date:** July 8, 2009

**Model:** CSH3616-17M-VOLT-G3-CSA-A-RTS-15-BLK

**Sheridan**  
lighting systems, inc.

Sheridan Lighting Systems, Inc.  
4-2525 Dunwin Dr  
Mississauga, ON L5L 1R9

T 905-369-0101 sales@sheridansys.com F 905-369-0102 www.sheridansys.com



PD9782

**WEST DES MOINES**

Valley Junction Streetscape

**Ballast chamber:** heavy wall cast aluminum, with top threaded for 1 1/2" NPT

**Optics:** hinged, prismatic acrylic refractor with IES type III distribution; upper bright anodized hydroformed reflector

**Ballast:** pulse start 150W MH, CWA, ANSI M102, multi (quad) tap, wired for 120V, with tool-less access and quick disconnects, mounted on a removable plate within the luminaire.

**Socket:** medium porcelain, 4KV pulse rated

**Lamp:** ED17 (by others)

**UL/IP Rating:** suitable for wet locations, conforms to UL1598; rated IP65

**Twin arm:** round aluminum extrusion welded to central column, with 3/8" aluminum scrolls, topped with cast aluminum finials on ends.

**Pole:** 4"OD x 0.226" wall round aluminum extrusion, welded in and over 8" sch. 40 pipe (8 5/8"OD), which is then welded in and over a 13 1/2"OD x 3/4" thick cast aluminum base plate. Welds are concealed with cast aluminum upper collar and base covers at the bottom, which are attached with tamper resistant hardware.

**Access door:** cast aluminum, 5"W x 8"H, located at 25" to center from bottom of pole, secured with tamper resistant hardware.

**Ground lug:** provision for ground lug opposite the access door.

**Anchor bolts:** four 30"L x 3/4"OD galvanized steel 55ksi min. yield bolts with 4" hook and 3 1/2" projection, with two nuts and two washers each and a steel template to install bolts on 11 1/2" bolt circle. Bolts, nuts, templates and cast aluminum nut covers included.

**All exposed hardware:** stainless steel

**Finish:** textured semi-gloss TGIC polyester powder coat

**Color:** black

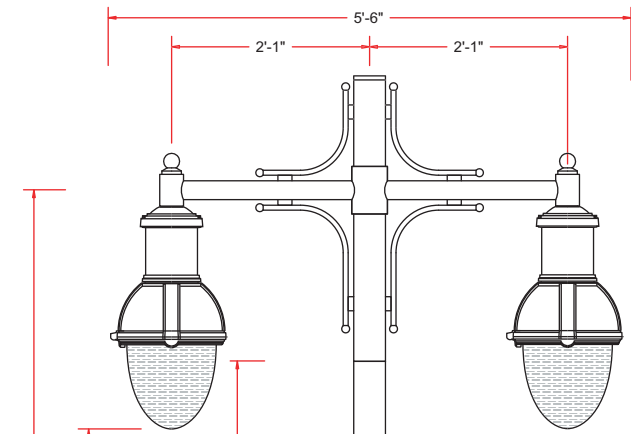
**Date:** July 9, 2009

**Model:** CSH1328-15M-1-A3-CSA-B-SP10MOD-RSA-16-TBLK

**Sheridan**  
lighting systems, inc.

Sheridan Lighting Systems, Inc.  
4-2525 Dunwin Dr  
Mississauga, ON L5L 1R9

T 905-369-0101 F 905-369-0102  
sales@sheridansys.com www.sheridansys.com



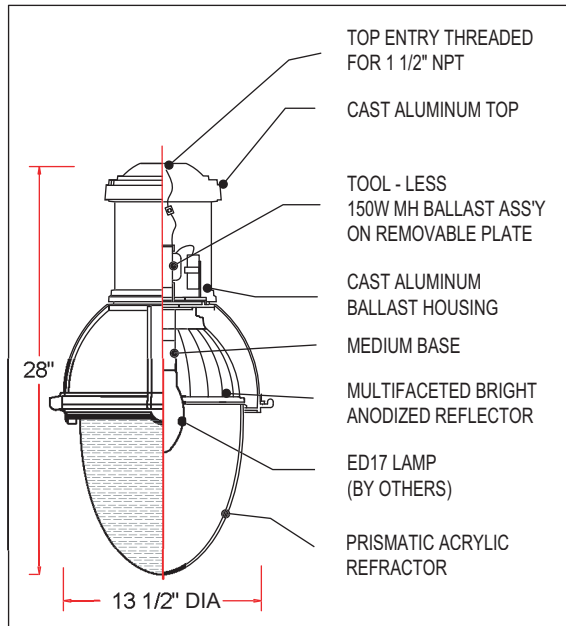
19'-0"

15'-3"

16'-0"

4'-1"

17 1/2" DIA



TOP ENTRY THREADED FOR 1 1/2" NPT

CAST ALUMINUM TOP

TOOL - LESS 150W MH BALLAST ASS'Y ON REMOVABLE PLATE

CAST ALUMINUM BALLAST HOUSING

MEDIUM BASE

MULTIFACETED BRIGHT ANODIZED REFLECTOR

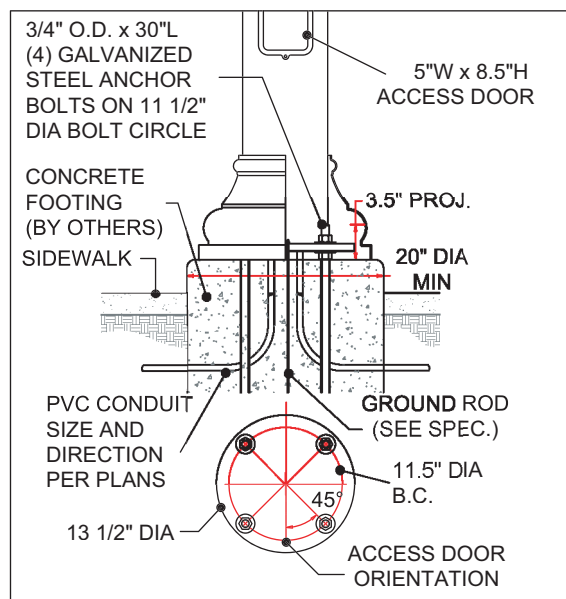
ED17 LAMP (BY OTHERS)

PRISMATIC ACRYLIC REFRACTOR

28"

13 1/2" DIA

LUMINAIRE DETAIL VIEW



3/4" O.D. x 30"L (4) GALVANIZED STEEL ANCHOR BOLTS ON 11 1/2" DIA BOLT CIRCLE

5"W x 8.5"H ACCESS DOOR

CONCRETE FOOTING (BY OTHERS) SIDEWALK

3.5" PROJ.

20" DIA MIN

PVC CONDUIT SIZE AND DIRECTION PER PLANS

GROUND ROD (SEE SPEC.)

11.5" DIA B.C.

13 1/2" DIA

ACCESS DOOR ORIENTATION

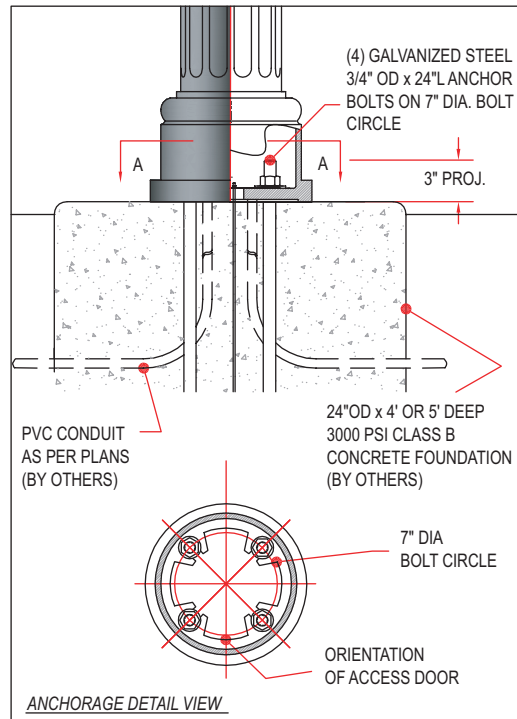
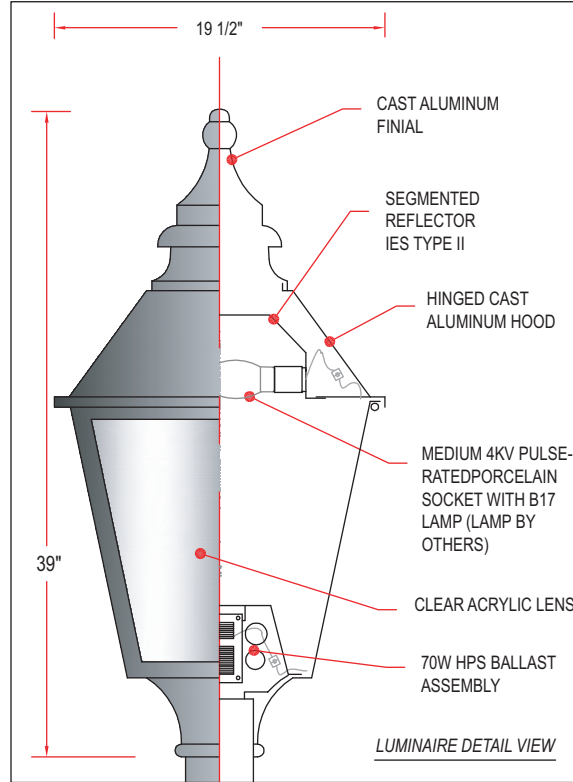
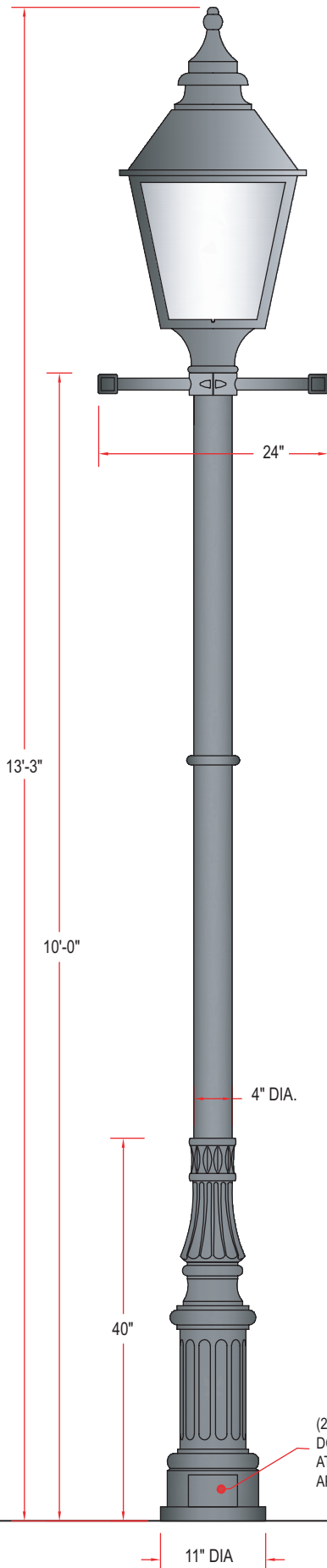
45°

ANCHORAGE DETAIL

PD9981

**MONROE PARK, RICHMOND, VA**

TYPE MP2 / MP2a



(2) ACCESS DOORS AT 180 DEG. APART

**Traditional coach lantern luminaire with 10' cast iron pole**

**Finial:** cast aluminum

**Luminaire hood and cage:** cast aluminum.

**Ballast:** high power factor high reactance autotransformer, multi-tap, ANSI S62, with tool-less access and quick disconnects, mounted on a removable plate.

**Wattage:** 70W **Voltage:** TBA

**Socket:** medium, porcelain, 4KV pulse-rated

**Lamp:** BD17 (by others)

**Optics:** segmented aluminum reflector with IES type II distribution

**Lens:** clear acrylic

**Slip fitter:** cast aluminum.

**Listing:** per UL 1598 "suitable for wet locations".

**Pole:** one-piece gray cast iron conforming to ASTM A48 Class 30. Mounts onto four 3/4"OD x 24"L galvanized steel anchor bolts on a 7" bolt circle. Anchor bolts, two nuts and two washers per bolt and a steel template are included.

**Service doors:** two cast iron service doors at the bottom of the pole, opposite each other, secured to the pole with tamper resistant fasteners.

**Ladder rest:** clamp-on, cast iron

**Receptacle (optional, p/n DRT):** provision only, receptacle and wiring by others.

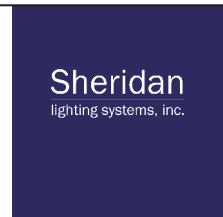
**All exposed hardware:** stainless steel

**Finish:** factory-applied one coat of red oxide primer with two coats of wet polyurethane enamel.

**Color:** five standard colors available: black (BLK), green (GRN), gray (GRY), bronze (BRZ) and white (WHT). Other colors upon request.

**Date:** Sep. 8, 2009

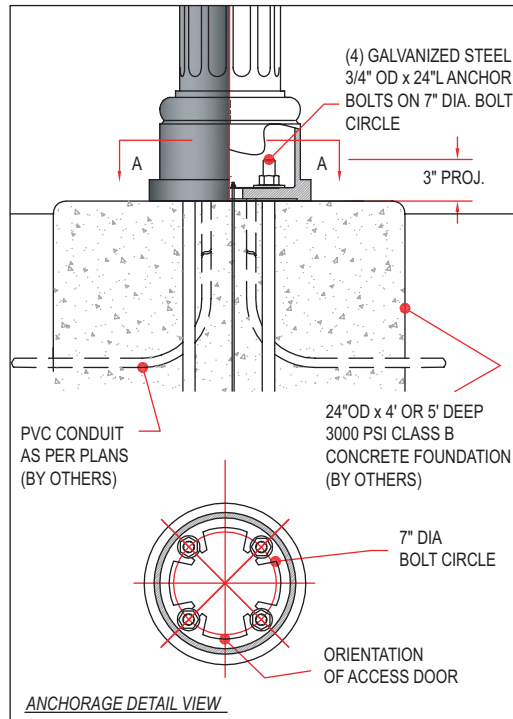
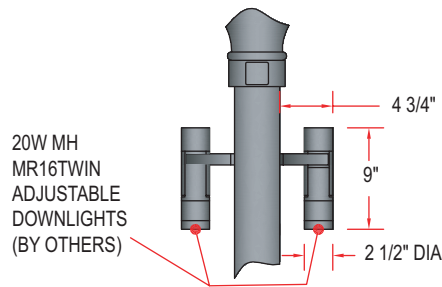
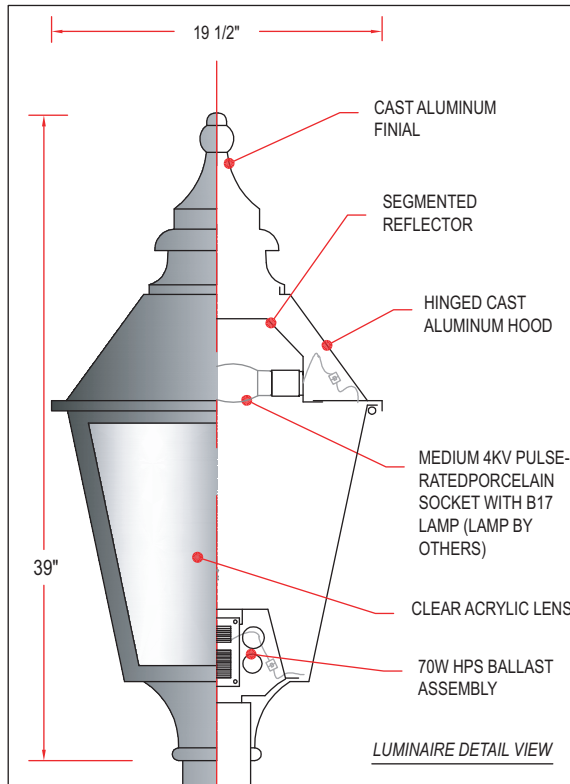
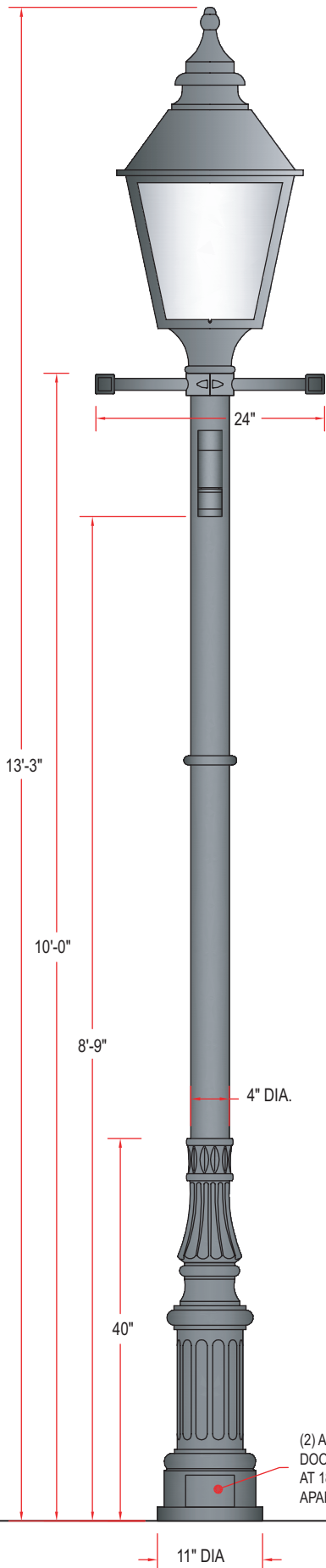
**Model:** SH50MOD-CA-7M-VOLT-HR2-CSP1140-10-CI-LDR-(DRT)-COLOR



Sheridan Lighting Systems, Inc.  
4-2525 Dunwin Dr  
Mississauga, ON L5L 1R9

T 905-369-0101 F 905-369-0102  
sales@sheridansys.com www.sheridansys.com

PD9982



**MONROE PARK, RICHMOND, VA**  
TYPE MP2b

**Traditional coach lantern luminaire with 10' cast iron pole**

**Finial:** cast aluminum

**Luminaire hood and cage:** cast aluminum.

**Ballast:** high power factor high reactance autotransformer, multi-tap, ANSI S62, with tool-less access and quick disconnects, mounted on a removable plate.

**Wattage:** 70W **Voltage:** TBA

**Socket:** medium, porcelain, 4KV pulse-rated

**Lamp:** BD17 (by others)

**Optics:** segmented aluminum reflector with IES type IV distribution

**Lens:** clear acrylic

**Slip fitter:** cast aluminum.

**Listing:** per UL 1598 "suitable for wet locations".

**Pole:** one-piece gray cast iron conforming to ASTM A48 Class 30. Mounts onto four 3/4"OD x 24"L galvanized steel anchor bolts on a 7" bolt circle. Anchor bolts, two nuts and two washers per bolt and a steel template are included.

**Service doors:** two cast iron service doors at the bottom of the pole, opposite each other, secured to the pole with tamper resistant fasteners.

**Installation of accent lights:** two 1/2" NPS female fittings.

**Ladder rest:** clamp-on, cast iron

**Receptacle (optional, p/n DRT):** provision only, receptacle and wiring by others.

**All exposed hardware:** stainless steel

**Finish:** factory-applied one coat of red oxide primer with two coats of wet polyurethane enamel.

**Color:** five standard colors available: black (BLK), green (GRN), gray (GRY), bronze (BRZ) and white (WHT). Other colors upon request.

**Date:** Sep. 8, 2009

**Model:** SH50MOD-CA-7M-VOLT-HR4-CSP1140-10-CI-FF-LDR-(DRT)-COLOR

**Sheridan**  
lighting systems, inc.

Sheridan Lighting Systems, Inc.  
4-2525 Dunwin Dr  
Mississauga, ON L5L 1R9

T 905-369-0101 F 905-369-0102  
sales@sheridansys.com www.sheridansys.com

PD9792

EVANSVILLE, IN

**12' LIGHT POLE AND REFRACTIVE ACORN LUMINAIRE W/ BANNER ARMS**

**Finial:** castg aluminum

**Diffuser:** prismatic acrylic, IES type III or V (specify)

**Fitter:** cast aluminum with integral ballast compartment and round pole adaptor

**Ballast:** HID MH or HPS (specify), with quick disconnects, mounted in the luminaire

**Wattage:** 250W max. (specify)

**Voltage:** (specify)     **Socket:** mogul

**Lamp:** TBA (by others)

**Banner arm:** 1"OD steel tube welded to a steel clamp, finished with 2" cast aluminum ball finial, secured with 1/4"-20 set screw. Arms are fully field-adjustable. Clamps together with 5/16"-18UNC hex head s/s bolts. Two 1"ID eye bolts provided (not shown)

**Shaft:** 4"OD x 0.226" thick round smooth aluminum extrusion, welded in and over the base.

**Base:** one-piece cast aluminum with oversized cast aluminum access door. Features decorative flutes.

**Access door:** oversized cast aluminum access door for ease of anchoring, secured with tamper resistant s/s hardware.

**Anchor bolts:** four 24"L x 3/4"OD galvanized steel 55ksi min. yield bolts with 3" hook and 3" projection, with two nuts and two washers each and a steel template to install bolts on 11 1/2" bolt circle. Bolts, nuts, washers and templates included.

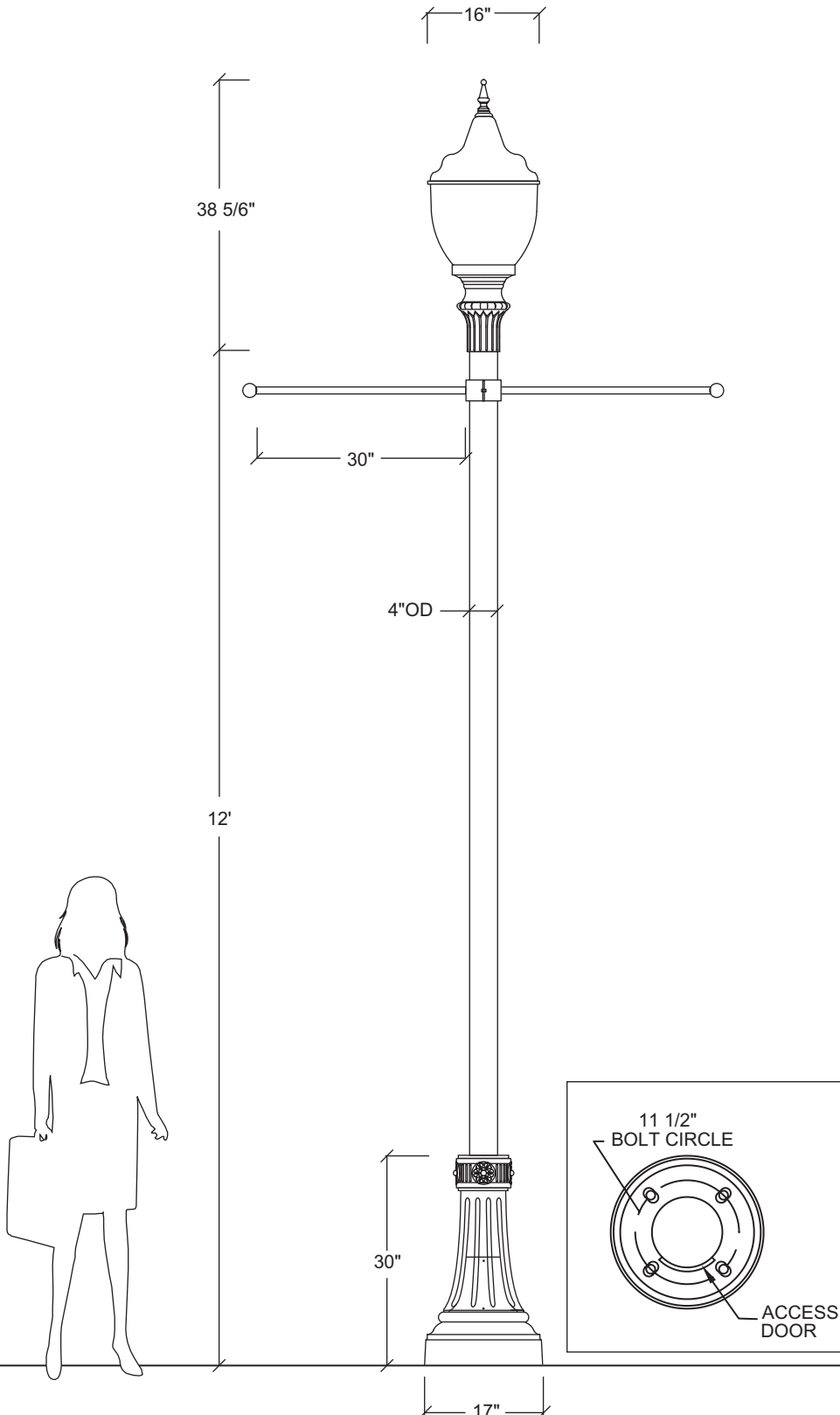
**All exposed hardware:** stainless steel

**Finish:** TGIC polyester powder coat

**Color:** standard smooth semi-gloss black

**Date:** July 9, 2009

**Model:** SH05MOD-PA-CF-DIST-WATT-VOLT-CSP1730-4RSA-12-BAC20-30-2E1-BLK



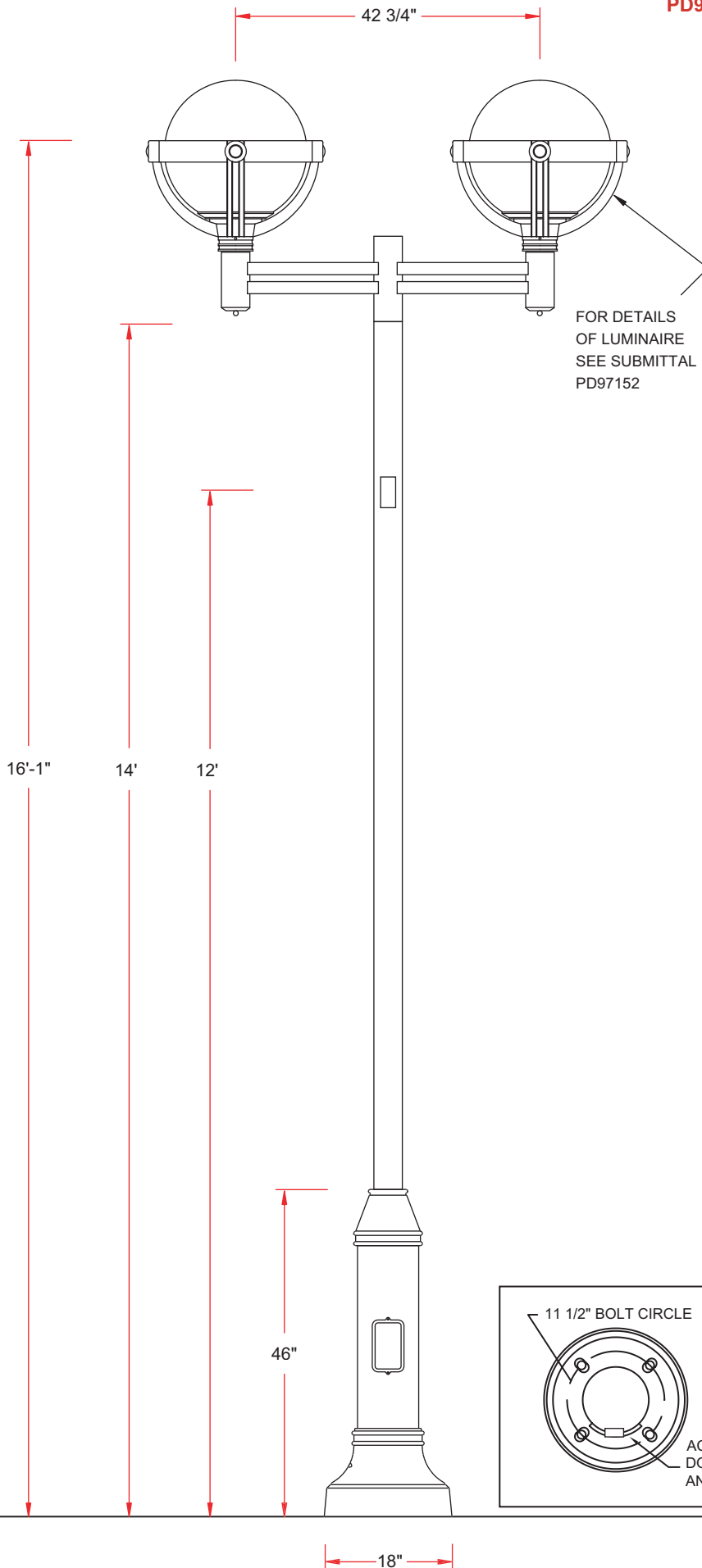
**Sheridan**  
lighting systems, inc.

Sheridan Lighting Systems, Inc.  
4-2525 Dunwin Dr  
Mississauga, ON L5L 1R9

T 905-369-0101     F 905-369-0102  
sales@sheridansys.com     www.sheridansys.com

PD97241

**MOLINE CITY CENTER**



FOR DETAILS OF LUMINAIRE SEE SUBMITTAL PD97152

**Luminaire housing:** cast aluminum jig-welded filigree with decorative aluminum medallions.

**Diffuser:** UV stabilized clear acrylic, attached with a cast aluminum ring as part of a quarter-turn twist lock system

**Optics:** IES type III louver stack reflector full cutoff "dark sky" optics

**Lamp:** ED17 (by others)

**Ballast housing:** cast and spun aluminum

**Ballast:** metal halide, high power factor, autotransformer, pulse start, ANSI M98, mounted on a removable plate, with quick disconnects.

**Wattage:** 70W **Voltage:** TBA

**Mounting:** accepts a 4"OD x 4"H tenon

**Listing:** ETL certified to UL 1598

**IP rating:** 65

**Exposed hardware:** stainless steel

**Twin arm:** extruded aluminum rectangles welded to a 3 1/2" sch. 40 central column, with a flat cast aluminum end cap

**Pole:** 3 1/2" sch 40 (4"OD x 0.226" wall) aluminum pipe, welded in and over 8" sch. 40 aluminum pipe (8 5/8"OD), which is then welded in and over a 13 1/2"OD x 3/4" thick cast aluminum base plate. Welds are concealed with a cast aluminum upper collar and cast aluminum base covers at the bottom, which are attached with tamper resistant hardware.

**Access door:** cast aluminum, 5"W x 8"H, located at 25" to center from bottom of pole, secured with tamper resistant hardware.

**Ground lug:** provision for ground lug opposite the access door.

**Anchor bolts:** four 24"L x 3/4"OD galvanized steel 55ksi min. yield bolts with 4" hook and 3" projection, with two nuts and two washers each and a steel template to install bolts on 11 1/2" bolt circle. Bolts, nuts, templates and cast aluminum nut covers included.

**All exposed hardware:** stainless steel

**Finish:** textured semi-gloss TGIC polyester powder coat

**GFI cover:** die cast aluminum weatherproof cover. Receptacle and wiring by others.

**Finish:** textured semi-gloss TGIC polyester powder coat

**Color:** TBA

**Date:** Jul. 24, 2009

**Model:** (2)SH15MOD-CA-7M-MT-LV-3-CSA-B-SP10-B-4RSA-14-GFI-COLOR

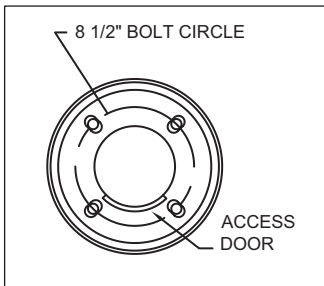
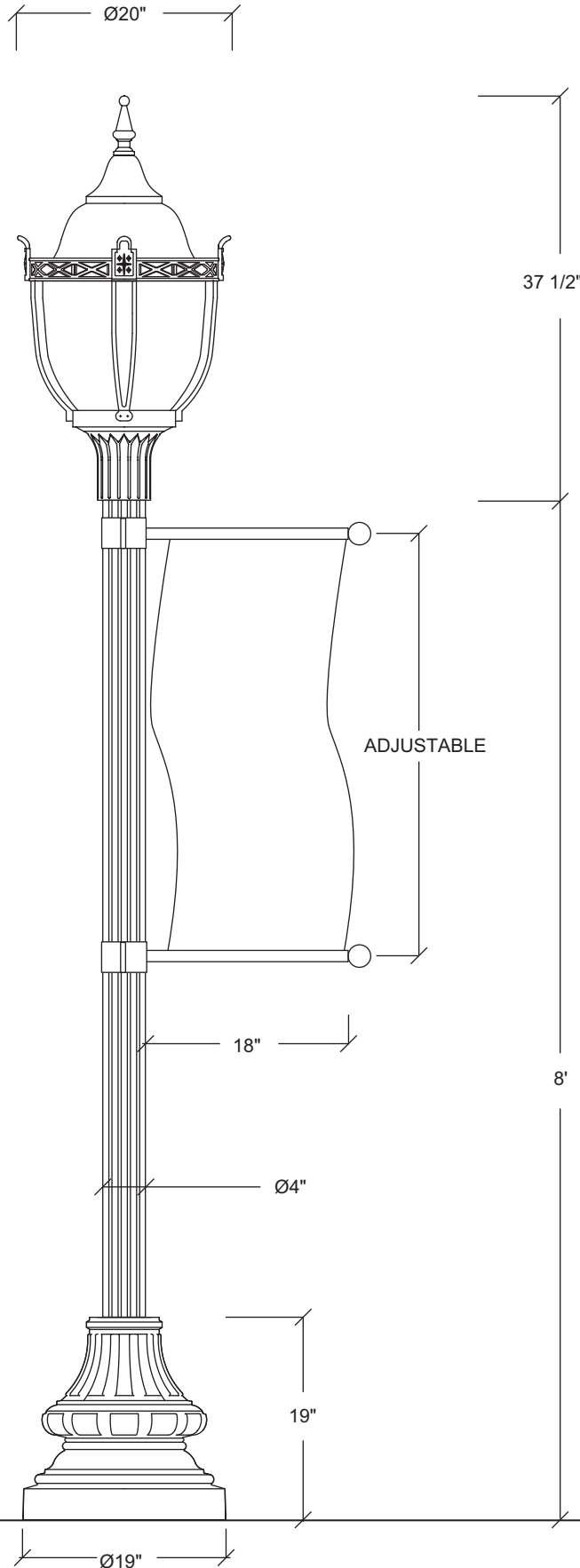
**Sheridan**  
lighting systems, inc.

Sheridan Lighting Systems, Inc.  
4-2525 Dunwin Dr  
Mississauga, ON L5L 1R9

T 905-369-0101 F 905-369-0102  
sales@sheridansys.com www.sheridansys.com

PD9841

CITY OF BENTON, IL



**8' decorative "Washington" pole with refractive, caged, solid roof acorn and clamp-on banner arms.**

**Finial:** cast aluminum

**Diffuser:** prismatic refractive acrylic with solid spun aluminum top

**Cage:** cast aluminum, jig welded together

**Slip fitter:** cast aluminum

**Ballast:** MH high power factor, ANSI M98 multi (quad) tap, with quick disconnects, mounted on a removable plate.

**Wattage:** 100W      **Voltage:** TBA

**Socket size:** mogul

**Lamp:** ED28 (lamps by others)

**Optics:** IES type III

**Base:** one-piece cast aluminum 19"OD x 19"H decorative base with integral base plate.

**Access door:** cast aluminum access door secured with stainless steel tamper-resistant hardware; ground lug opposite access door.

**Shaft:** 4"OD x 0.226" thick fluted extruded aluminum, with 12 flat flutes, welded in and over the base; 8' overall height, including the base

**Anchorage:** four galvanized steel anchor bolts, 3/4"OD, 24"L, 3" hook, 3" projection; two nuts and two washers per bolt for leveling; installed on 8 1/2" bolt circle with steel template. All hardware included.

**Banner arms:** 18"L x 1"OD steel banner arm with cast aluminum 2"OD round removable finials. Banners by others.

**All exposed hardware:** stainless steel

**Finish:** smooth semi-gloss TGIC polyester powder coat

**Color:** standard black

**Date:** Aug. 4, 2009

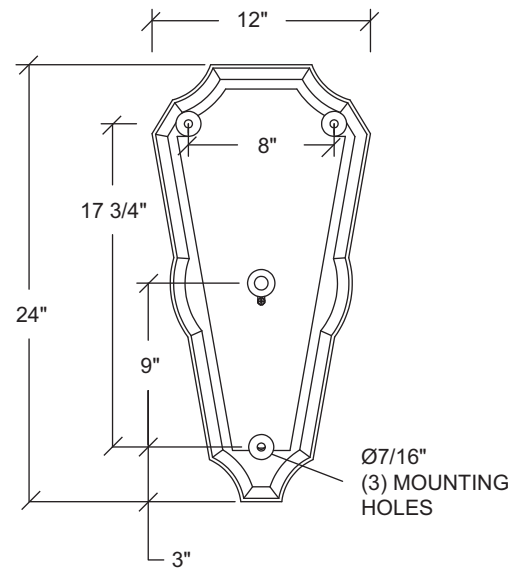
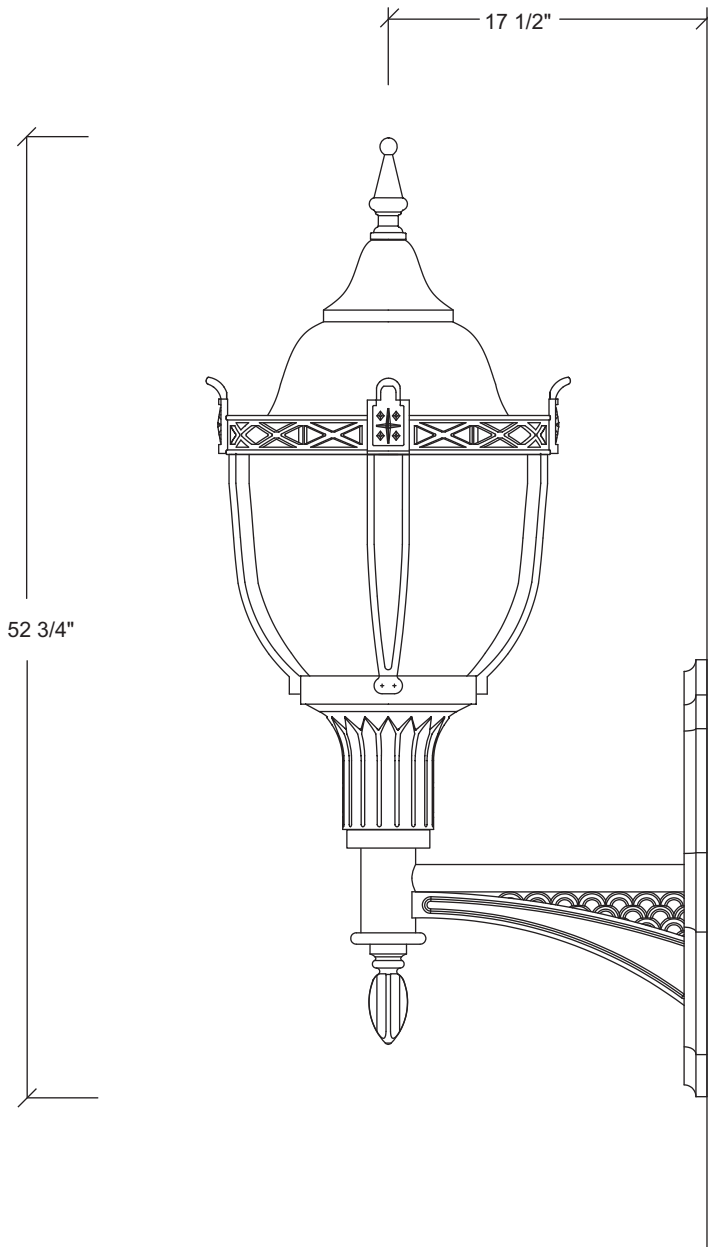
**Model:** SH25-PA-D-1M-VOLT-T3-FA-SP01-A-4-FSA-8-BAB-11-BLK

**Sheridan**  
lighting systems, inc.

Sheridan Lighting Systems, Inc.  
4-2525 Dunwin Dr  
Mississauga, ON L5L 1R9

T 905-369-0101      F 905-369-0102  
sales@sheridansys.com      www.sheridansys.com

PD9851



**Refractive, caged, solid roof acorn and cast aluminum wall bracket**

**Finial:** cast aluminum

**Diffuser:** prismatic refractive acrylic with solid spun aluminum top

**Cage:** cast aluminum, jig welded together

**Slip fitter:** cast aluminum

**Ballast:** MH high power factor, ANSI M98 multi (quad) tap, with quick disconnects, mounted on a removable plate.

**Wattage:** 100W    **Voltage:** TBA

**Socket size:** mogul

**Lamp:** ED28 (lamps by others)

**Optics:** IES type III

**Listing:** per UL 1598 "suitable for wet locations"

**All exposed hardware:** stainless steel

**Finish:** smooth semi-gloss TGIC polyester powder coat

**Color:** standard black

**CITY OF BENTON, IL**

**Date:** Aug. 5, 2009

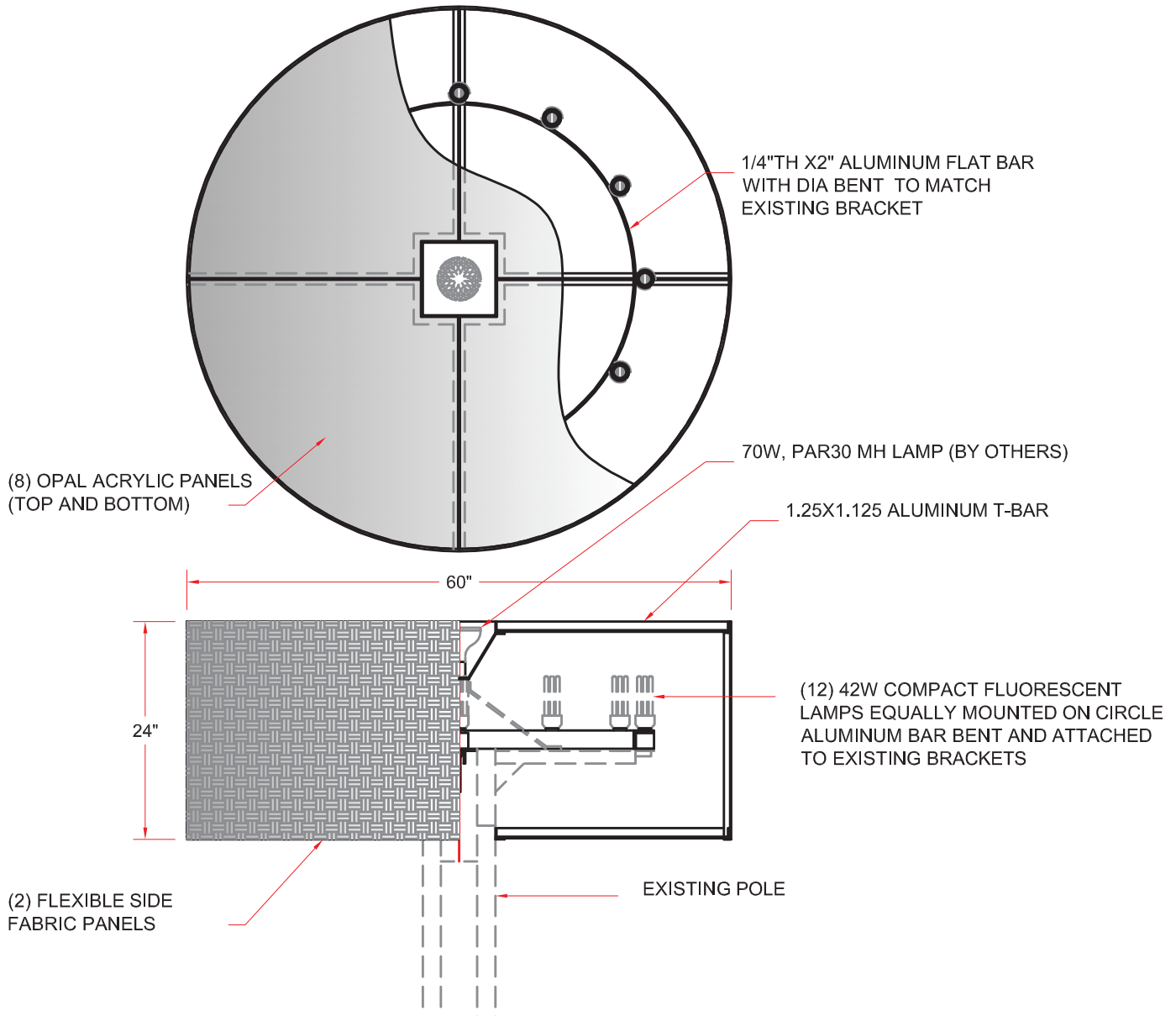
**Model:** SH25-PA-D-1M-VOLT-T3-FA-SA40-W-BLK

**Sheridan**  
lighting systems, inc.

Sheridan Lighting Systems, Inc.  
4-2525 Dunwin Dr  
Mississauga, ON L5L 1R9

T 905-369-0101    F 905-369-0102  
sales@sheridansys.com    www.sheridansys.com





**Luminaire:**  
One-piece construction with aluminum T-bar and angle

**Wattage:**  
42W and 70W

**Sockets:**  
medium porcelain 4KV pulse-rated

**Lamp:**  
(12) 42W CFL and (1) 70W PAR30 MH (by others)

**Reflector:**  
none

**IES Distribution:**  
n/a

**Diffuser:**  
- opal acrylic top and bottom  
- natural flexible fabric side

**Finish:**  
TGIC polyester powder coat

**Color:**  
custom red per existing

**MARRIOTT- UNION STATION**

**Date:**  
Sep. 22, 2009

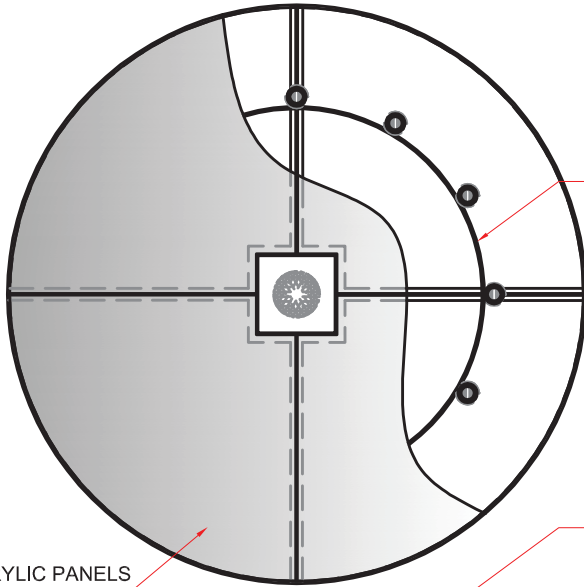
**Model:**  
CSH6024-CA-1242CF-RED



Sheridan Lighting Systems, Inc.  
4-2525 Dunwin Dr  
Mississauga, ON L5L 1R9



PD99231

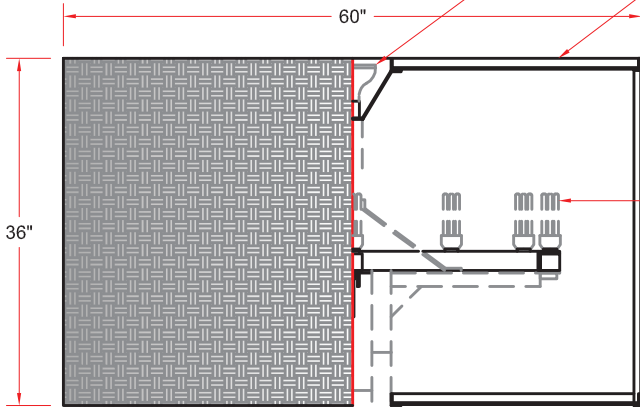


1/4"TH X2" ALUMINUM FLAT BAR WITH DIA BENT TO MATCH EXISTING BRACKET

(8) OPAL ACRYLIC PANELS (TOP AND BOTTOM)

70W, PAR30 MH LAMP (BY OTHERS)

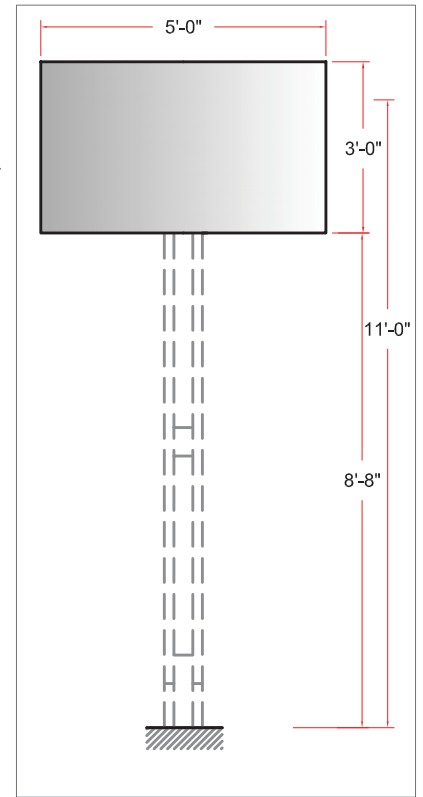
1.25X1.125 ALUMINUM T-BAR



(2) FLEXIBLE SIDE FABRIC PANELS

EXISTING POLE

(12) 42W COMPACT FLUORESCENT LAMPS EQUALLY MOUNTED ON CIRCLE ALUMINUM BAR BENT AND ATTACHED TO EXISTING BRACKETS



**Luminaire:**

One-piece construction with aluminum T-bar and angle

**Wattage:**

42W and 70W

**Sockets:**

medium porcelain 4KV pulse-rated

**Lamp:**

(12) 42W CFL and (1) 70W PAR30 MH (by others)

**Reflector:**

none

**IES Distribution:**

n/a

**Diffuser:**

- opal acrylic top and bottom  
- natural flexible fabric side

**Finish:**

TGIC polyester powder coat

**Color:**

custom red per existing

**MARRIOTT- UNION STATION**

**Date:**

Sep. 23, 2009

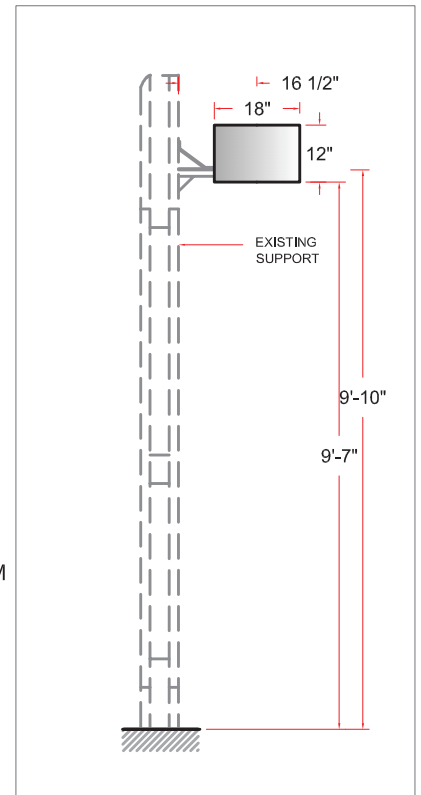
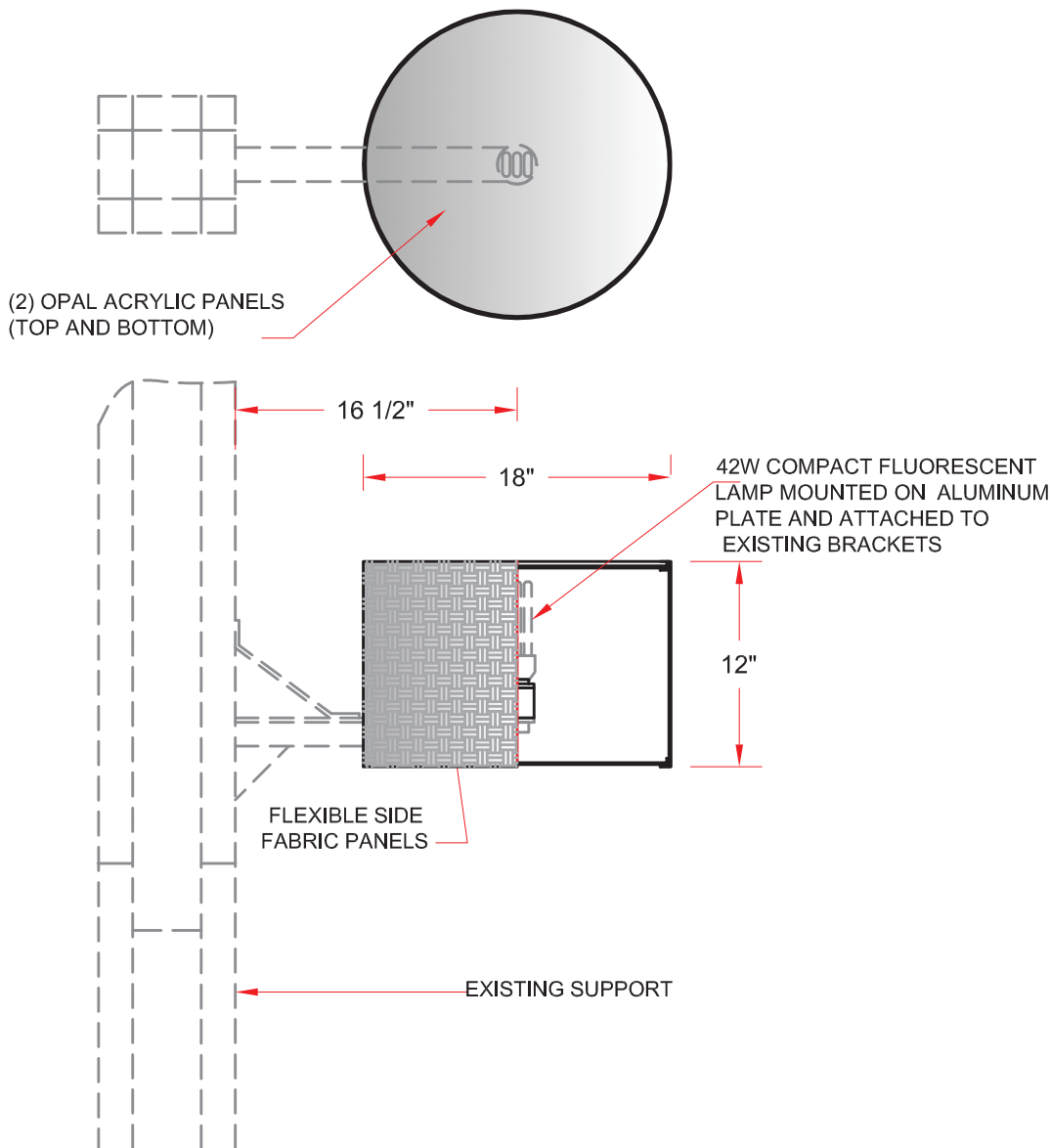
**Model:**

CSH6036-WA-1242CF-RED



Sheridan Lighting Systems, Inc.  
4-2525 Dunwin Dr  
Mississauga, ON L5L 1R9

PD99232



**Luminaire:**  
One-piece construction with aluminum T-bar and angle

**Wattage:**  
42W

**Sockets:**  
medium porcelain 4KV pulse-rated

**Lamp:**  
42W CFL  
(by others)

**Reflector:**  
none

**IES Distribution:**  
n/a

**Diffuser:**  
- opal acrylic top and bottom  
- natural flexible fabric side

**Finish:**  
TGIC polyester powder coat

**Color:**  
custom red per existing

## MARRIOTT- UNION STATION

**Date:**  
Sep. 23, 2009

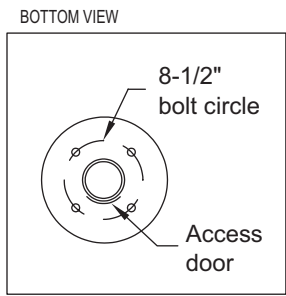
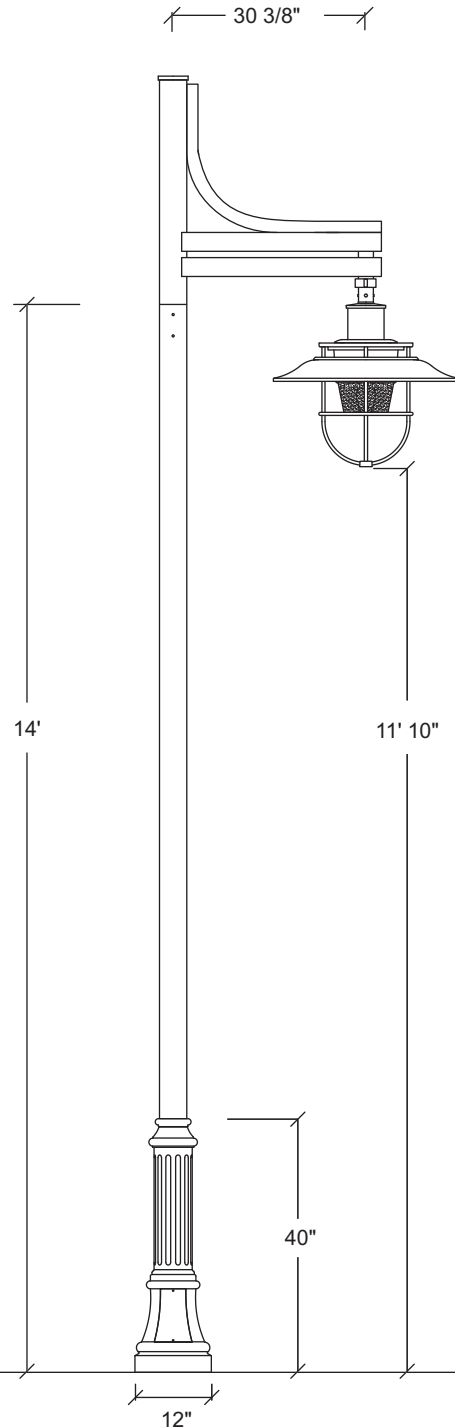
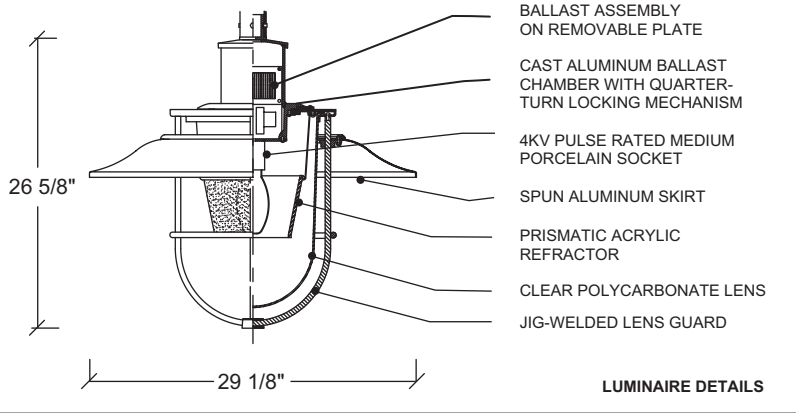
**Model:**  
CSH1812-WA-42CF-RED

**Sheridan**  
lighting systems, inc.

Sheridan Lighting Systems, Inc.  
4-2525 Dunwin Dr  
Mississauga, ON L5L 1R9

PD9522.1

### NORTH LIBERTY 965



**Luminaire ballast chamber:** heavy wall cast aluminum, with quarter-turn locking mechanism and a security bolt; mounted to the arm through a plumbizer for vertical positioning

**Decorative skirt:** spun aluminum, permanently attached to the domed reflector chamber.

**Diffuser:** clear polycarbonate

**Lens guard:** aluminum rod, jig welded together, with one horizontal ring

**Optics:** prismatic acrylic refractor with IES type V (symmetric) distribution

**Ballast:** high power factor, high pressure sodium 70W ANSI S62, multi (quad) tap, wired for \_\_\_V, with quick disconnects, mounted on a removable plate within the luminaire

**Socket:** medium, porcelain, 4KV pulse rated

**Lamp:** BD17 (by others)

**Single arm:** aluminum round extrusions welded to two horizontal aluminum rectangles, decorated with an aluminum scroll and finished with a cast aluminum cap

**Pole:** 4"OD round straight aluminum tube, 0.25" wall thickness, welded in and over cast aluminum one-piece base. Provision for ground lug opposite the cast aluminum door.

**Mounting:** four 3/4"OD x 24"L steel anchor bolts, with two nuts and two washers per bolt for leveling, 3" hook, 3" projection, installed on 8-1/2" bolt circle. Anchor bolts, hardware and steel templates supplied by Sheridan.

**Finish:** TGIC polyester powder

**Color:** standard smooth semi-gloss black

**Date:** Aug. 2, 2009

**Model:** SH70-MOD-CP-7H-VOLT-A5-SA15-A-MOD-SP30-RS-14-BLK



Sheridan Lighting Systems, Inc.  
 4-2525 Dunwin Dr  
 Mississauga, ON L5L 1R9

T 905-369-0101 F 905-369-0102  
 sales@sheridansys.com www.sheridansys.com

PD98131

**FT. CAMPBELL  
STREET LIGHTING**

**Decorative, caged, solid roof lantern with one-piece 11' pole.**

**Finial:** cast aluminum

**Diffuser:** clear acrylic

**Top:** solid spun aluminum

**Cage:** cast aluminum

**Slip fitter:** cast aluminum

**Ballast:** MH CWA, pulse start, ANSI M102 multi (quad) tap, with quick disconnects, mounted on a removable plate.

**Wattage:** 150W Voltage: TBA

**Socket:** mogul, position-oriented porcelain, 5KV pulse-rated

**Lamp:** ED28 (by others)

**Optics:** segmented reflector IES type III, "Dark Sky" compliant

**Pole base:** one-piece cast aluminum with cast aluminum access door.

**Pole shaft:** smooth aluminum tapering from 6" at the bottom to 4" at the top, welded in and over the base.

**Installation:** four 3/4"OD x 24"L galvanized steel anchor bolts with two nuts and two washers per bolt, installed on 15" bolt circle. All hardware and steel templates included.

**All exposed hardware:** stainless steel

**Finish:** smooth semi-gloss TGIC polyester powder coat

**Color:** standard black

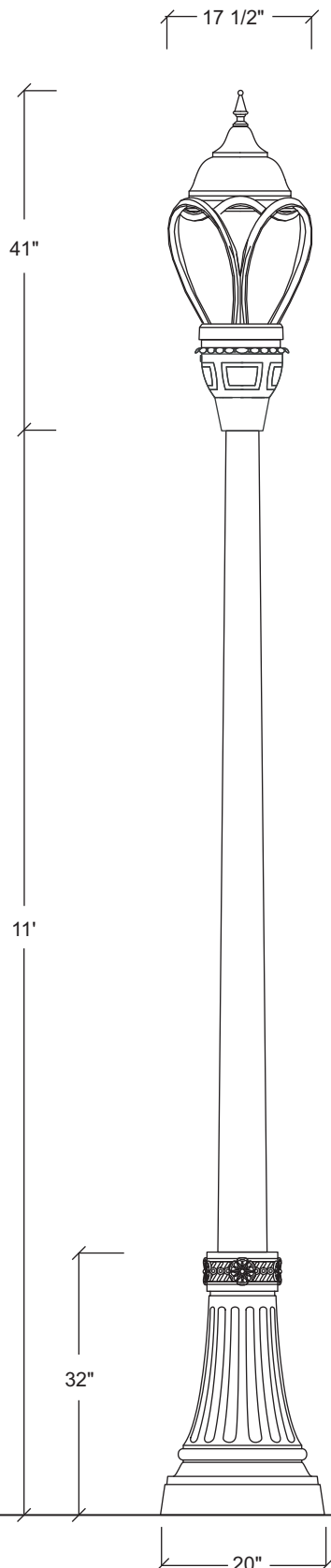
**Date:** Aug. 13, 2009

**Model:** SH25MOD-CA-15M-VOLT-HR-3-CSP2032-RTA-11-BLK

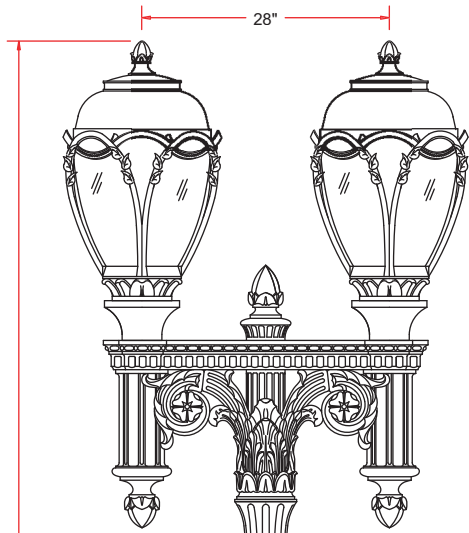
**Sheridan**  
lighting systems, inc.

Sheridan Lighting Systems, Inc.  
4-2525 Dunwin Dr  
Mississauga, ON L5L 1R9

T 905-369-0101 F 905-369-0102  
sales@sheridansys.com www.sheridansys.com

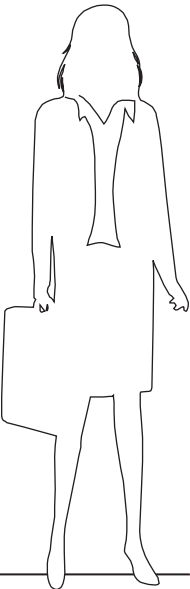


PD98211



16'-11"

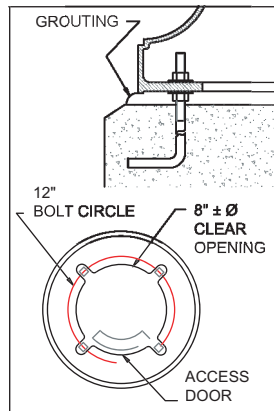
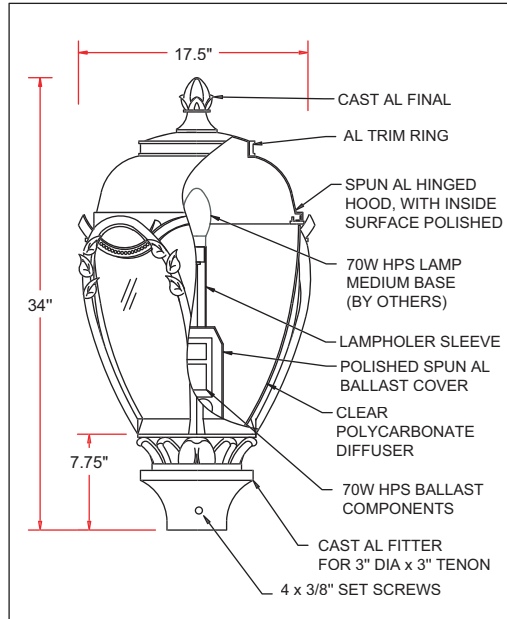
12'-00"



ACCESS DOOR

24"

18"



**MARTIN LUTHER KING DR**  
**St. Louis, MO**

**Decorative, caged, solid roof lanterns with twin cast aluminum arm and cast iron 12' pole.**

**Finial:** cast aluminum

**Diffuser:** clear polycarbonate

**Top:** solid spun aluminum

**Cage:** cast aluminum

**Slip fitter:** cast aluminum

**Ballast:** HPS high power factor, auto-transformer, ANSI S62 multi (quad) tap, with quick disconnects, mounted on a removable plate.

**Wattage:** 70W      **Voltage:** TBA

**Socket:** medium porcelain, 4KV pulse-rated

**Lamp:** ED17 (by others)

**Optics:** polished spun aluminum reflector

**Arm:** ornamental twin cast aluminum

**Pole base:** 18"OD x 24"H one-piece cast iron with cast iron access door.

**Pole shaft:** tapered fluted cast iron, tapering from 5 1/2" at the bottom to 4" at the top, with 16 sharp flutes, bolted to the base.

**Installation:** four 3/4"OD x 30"L galvanized steel anchor bolts with two nuts and two washers per bolt, installed on 12" bolt circle. All hardware and steel templates included.

**All exposed hardware:** stainless steel

**Finish:** yellow zinc plated with smooth semi-gloss TGIC polyester powder top coat

**Color:** standard black

**Date:** Aug. 21, 2009

**Model:** SH25MOD-CA-7H-VOLT-HR-5-CSP1824-64TFC-21-BLK

**Sheridan**  
lighting systems, inc.

Sheridan Lighting Systems, Inc.  
4-2525 Dunwin Dr  
Mississauga, ON L5L 1R9

T 905-369-0101      F 905-369-0102  
sales@sheridansys.com      www.sheridansys.com

PD9911

**RIVERSIDE COMMUNITY  
COLLEGE AQUATIC**

**Custom contemporary luminaire with 10' pole**

**Luminaire top:** cast aluminum.

**Shade:** heavy gage stainless steel.

**Luminaire cage:** aluminum rod.

**Ballast:** high power factor pulse start metal halide, ANSI M98, with tool-less access and quick disconnects, mounted on a removable plate.

**Wattage:** 70W **Voltage:** 277V

**Socket:** medium, porcelain, 4KV pulse-rated

**Lamp:** ED17 (by others)

**Optics:** borosilicate glass refractor with IES type V distribution

**Diffuser:** 10" round, clear acrylic tube.

**Slip fitter:** cast aluminum.

**Listing:** per UL 1598 "suitable for wet locations".

**Pole shaft:** 3.5" sch. 40 (4"OD) aluminum pipe, welded in and over a cast aluminum base plate. Mounts onto four 3/4"OD x 24"L galvanized steel anchor bolts on a 8 1/2" bolt circle. Anchor bolts, two nuts and two washers per bolt and a steel template are included.

**Service door:** cast aluminum at 12" to center from bottom of pole, with provision for ground lug located opposite the door.

**Base cover:** two-piece cast aluminum, secured to the pole shaft with tamper resistant fasteners.

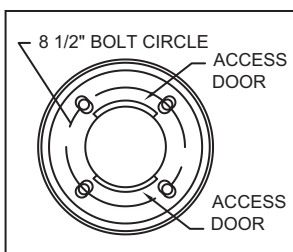
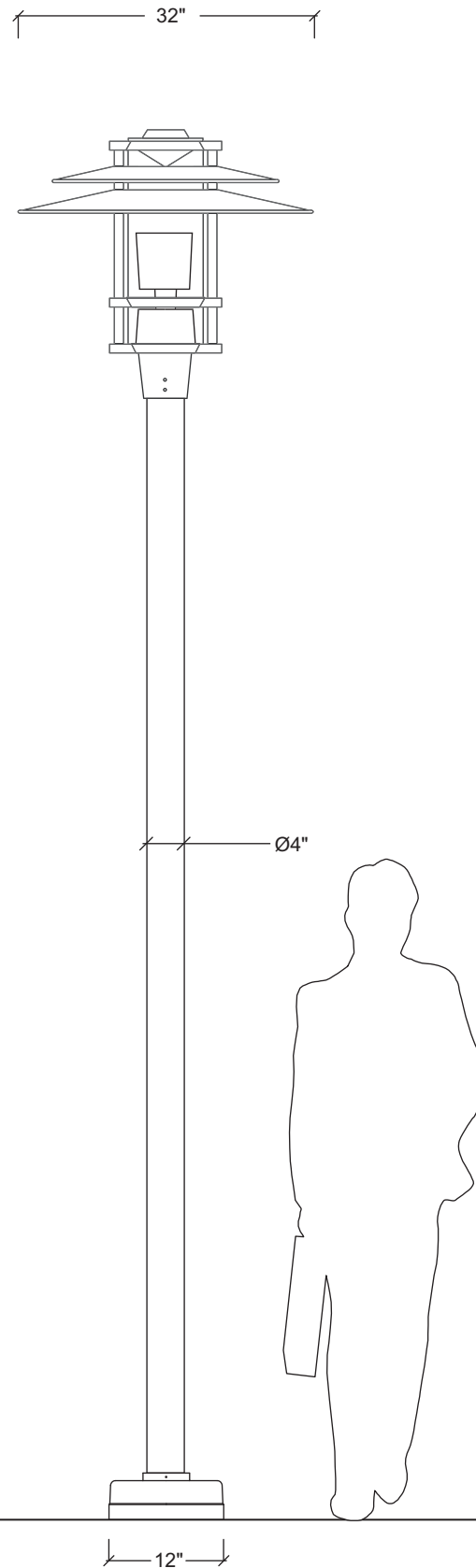
**All exposed hardware:** stainless steel

**Finish:** TGIC polyester powder coat.

**Color:** silver

**Date:** Sep. 1, 2009

**Model:** CSH2732-CA-CF-7M-VOLT-G5-  
SP25-B-RSA-10-SLV



**Sheridan**  
lighting systems, inc.

Sheridan Lighting Systems, Inc.  
4-2525 Dunwin Dr  
Mississauga, ON L5L 1R9

T 905-369-0101 F 905-369-0102  
sales@sheridansys.com www.sheridansys.com

PD98311

**MOSTELLER GARAGE**

**ACORN GLOBE WITH 16' CAST IRON "WASHINGTON" POLE**

**Acorn globe:** clear stippled polycarbonate

**Optics:** borosilicate glass refractor IES type V

**Lamp:** ED18

**Socket:** mogul porcelain 4KV pulse rated

**Ballast:** CWA S50 250W HPS, multi-(quad) tap, wired for 240V, with quick disconnects, mounted on a removable plate within the luminaire.

**Slip fitter:** cast iron

**Photocontrol:** luminaire-integrated button-type photocell.

**Pole:** 16-foot, one-piece cast iron unit with a tapered shaft featuring 16 deep flutes, tapering from 7" at the bottom to 5" at the top, bolted to a one-piece decorative 24"OD base. Provision for ground lug opposite the access door.

**Material:** gray cast iron conforming to ASTM A48 Class 30.

**Mounting:** four 3/4"OD x 24"L galvanized steel anchor bolts, with two nuts and two washers per bolt for leveling, 3" hook, 3" projection, installed on 16" bolt circle. Anchor bolts, hardware and steel templates supplied by Sheridan.

**Finish:** one coat of red oxide primer with two coats of wet polyurethane enamel paint.

**Color:** RAL 6009 "Fir Green"

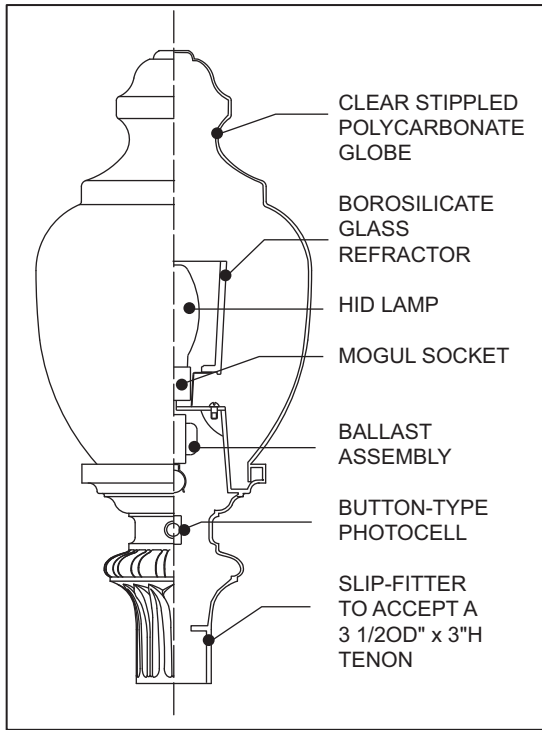
**Date:** Aug. 31, 2009

**Model:** SP01-L-SP-CF-25H-3-R5-BP-NF-SP03MOD-75TFCI-RAL 6009

**Sheridan**  
lighting systems, inc.

Sheridan Lighting Systems, Inc.  
4-2525 Dunwin Dr  
Mississauga, ON L5L 1R9

T 905-369-0101 F 905-369-0102  
sales@sheridansys.com www.sheridansys.com

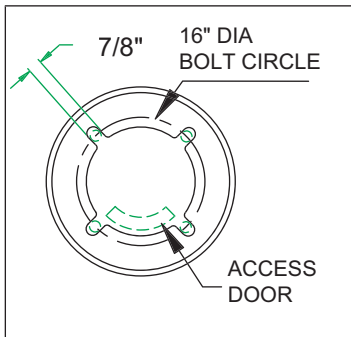
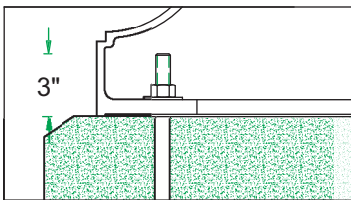


**LUMINAIRE DETAIL**

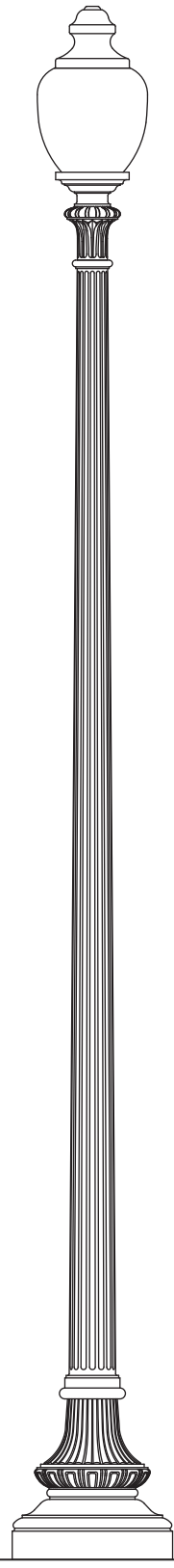
16 1/2"

38"

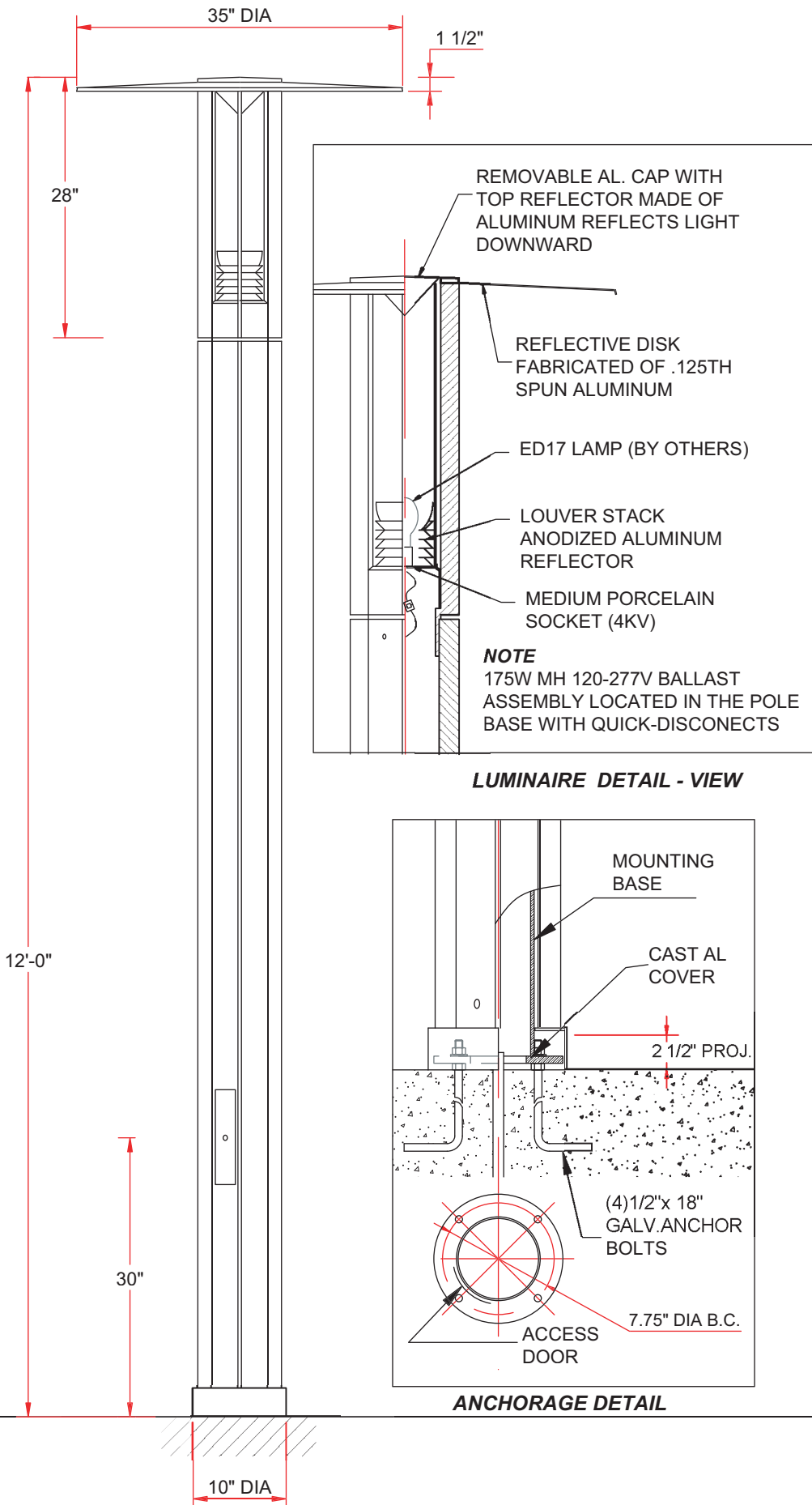
16'



**BASE DETAIL VIEW**



24"



**CUSTOM INDIRECT LUMINAIRE AND 12' POLE**

**Top cap:** gasketed aluminum plate attached to fixture with s/s tamper resistant fasteners

**Luminaire housing:** extruded/cast aluminum

**Ballast:** electronic MH, with tool-less access and quick disconnects, mounted on a removable plate in the base of the fixture.

**Wattage:** 175W **Voltage:** 120-277V

**Socket:** medium porcelain 4KV pulse-rated

**Lamp:** ED17 (by others)

**Lens:** clear acrylic

**Reflector:** bright anodized aluminum

**Pole:** 6"OD aluminum extrusion welded in and over a cast aluminum base plate for mounting to anchor bolts. An oversized access door is provided at 30" to center for ease of wiring. Cast aluminum base cover conceals bolts.

**Ribs:** extruded aluminum

**Anchorage:** four 1/2"OD x 30"L galvanized steel anchor bolts, with two nuts and two washers per bolt, to be installed on 7 3/4"OD bolt circle. Anchors, templates, nuts and washers included.

**Finish:** TGIC polyester powder coat

**Color:** custom "Natural Aluminum"

**Date:** Sep. 2, 2009

**Model:** CSH2835-17M-1-4-LV-SP25-6RSA-12-NA

**Sheridan**  
lighting systems, inc.

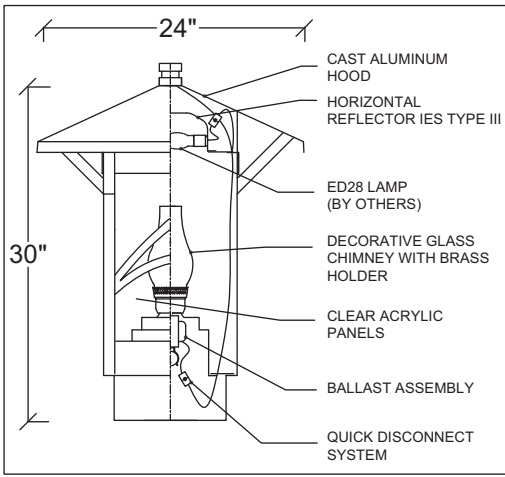
Sheridan Lighting Systems, Inc.  
4-2525 Dunwin Dr  
Mississauga, ON L5L 1R9

T 905-369-0101 F 905-369-0102  
sales@sheridansys.com www.sheridansys.com

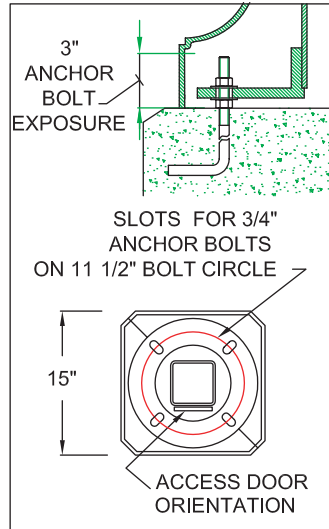


PD97102.1

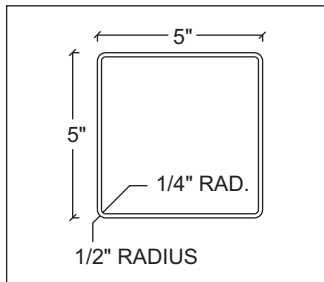
# KEWADIN CASINO



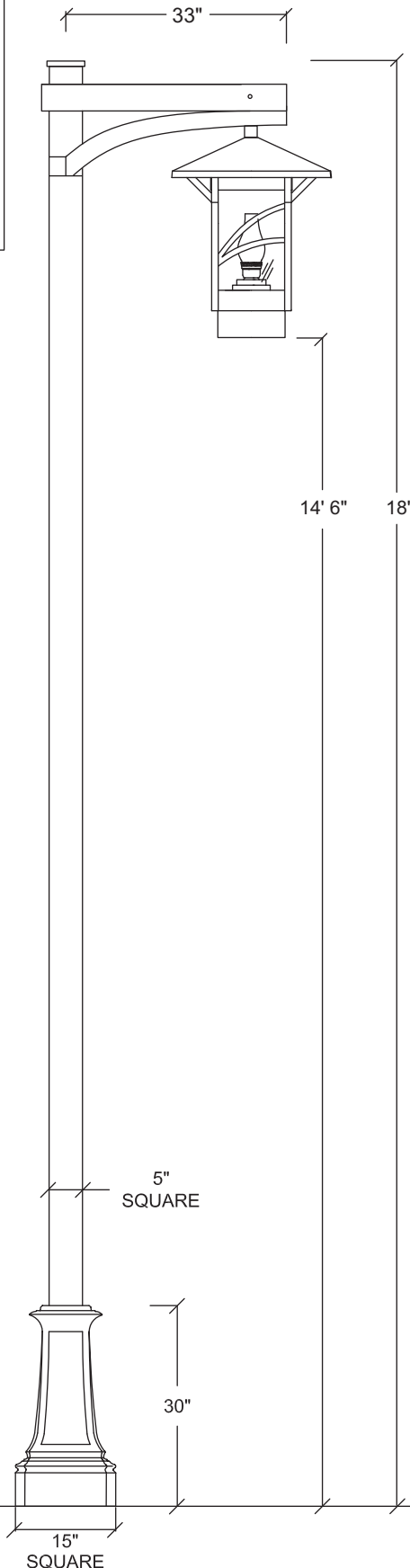
LUMINAIRE DETAIL



BOTTOM ANCHOR PLATE VIEW



CROSS-SECTION OF SHAFT



**Luminaire housing:** cast aluminum square-shaped hood and bottom, with precision-cut aluminum side panels and decorative aluminum latticework.

**Diffuser:** UV stabilized clear acrylic

**Optics:** IES type III rooftop reflector with horizontal lamp and decorative glass chimney with brass holder.

**Lamp:** ED28 (by others)

**Ballast housing:** cast and spun aluminum

**Ballast:** metal halide, CWA, pulse start, ANSI M102, mounted on a removable plate, with quick disconnects.

**Wattage:** 150W

**Voltage:** PLEASE ADVISE

**Photocontrol:** none

**Listing:** ETL certified to UL 1598

**Single arm:** two 2" x 4" rectangular aluminum arms and one curved horizontal support member welded to the side of 5" OD central column and mechanically assembled with the pole

**Pole base cover:** two-piece cast aluminum, secured to the pole with tamper resistant s/s hardware.

**Shaft:** 5" square aluminum extrusion, 0.25" wall, welded in and over a 3/4" thick cast aluminum base plate.

**Anchor bolts:** 24"L x 3/4"OD, 3" hook, 3" projection, with two nuts and two washers per bolt, installed on 11 1/2" bolt circle; steel template included.

**Exposed hardware:** stainless steel

**Finish:** TGIC polyester powder coat

**Color:** custom, per specifier

**Date:** Jul. 14, 2009

**Model:** CF2430-CA-15M-MT-HR-3-GC-CA-A-SP35-5QS-18-COLOR

**Sheridan**  
lighting systems, inc.

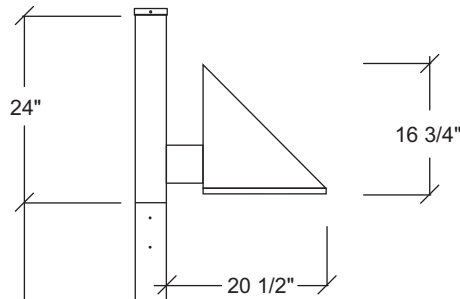
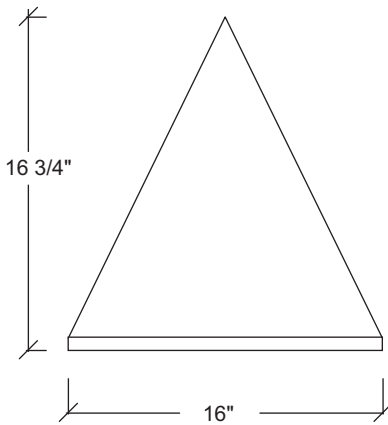
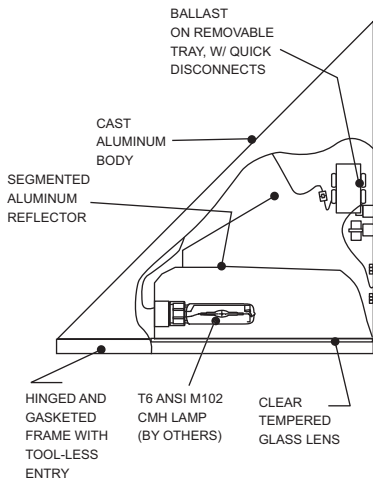
Sheridan Lighting Systems, Inc.  
4-2525 Dunwin Dr  
Mississauga, ON L5L 1R9

T 905-369-0101 F 905-369-0102  
sales@sheridansys.com www.sheridansys.com

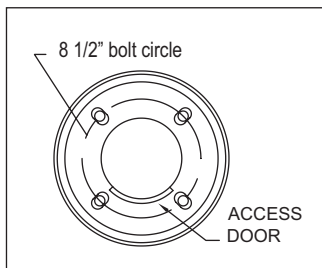
PD97281

**EXETER ELEMENTARY**

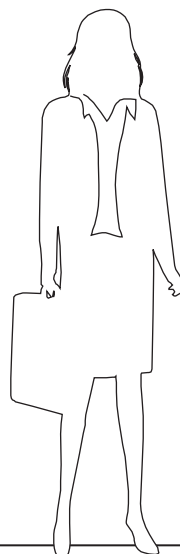
Type SA3



16'



12"



**Pole top cap:** aluminum

**Luminaire housing:** 3/16" thick cast aluminum

**Ballast:** metal halide, CWA, ANSI M102, multi-(quad) tap, with tool-less access and quick disconnects, mounted on a removable plate in the base of the fixture.

**Wattage:** 150W      **Voltage:** 277V

**Socket:** G12      **Lamp:** T6 (by others)

**Lens:** gasketed clear tempered glass with an aluminum retaining ring

**Optics:** segmented reflector with IES type III distribution

**Single arm:** aluminum rectangle extrusion welded to a round 24"H x 4"OD central column. Arm bolts onto the fixture from within. Column attaches to the pole with six s/s set screws.

**Pole:** 16' overall height, 4"OD with 0.226" wall thickness aluminum extrusion, welded in and over a cast aluminum base plate

**Base cover:** two-piece cast aluminum with tamper resistant hardware

**Anchorage:** four 3/4"OD x 24"L galvanized steel anchor bolts, with two nuts and two washers per bolt, to be installed on 8 1/2"OD bolt circle. Anchors, templates, nuts and washers included.

**Finish:** smooth semi-gloss TGIC polyester powder coat

**Color:** TBA

**Date:** Jul. 28, 2009

**Model:** CSH1617-CG-15CM-4-R3-CA-A-SP25-B-RSA-16-COLOR

**Sheridan**  
lighting systems, inc.

Sheridan Lighting Systems, Inc.  
4-2525 Dunwin Dr  
Mississauga, ON L5L 1R9

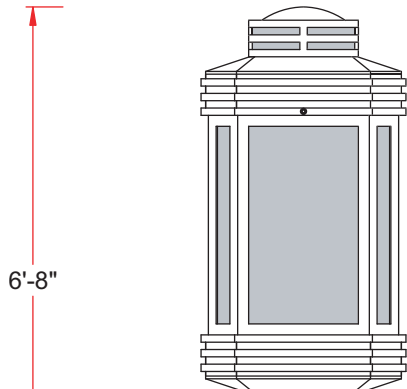
T 905-369-0101      F 905-369-0102  
sales@sheridansys.com      www.sheridansys.com

PD94141.1

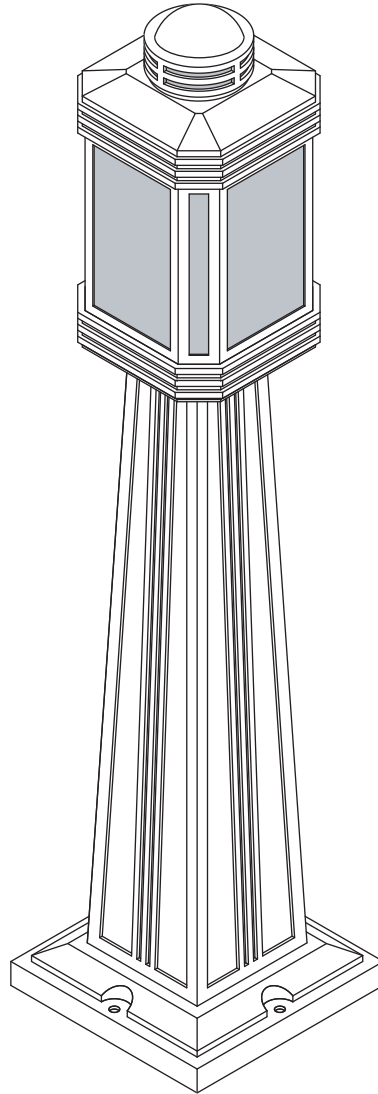
**IMU FOOTBRIDGE**

*Pier*

14" SQ

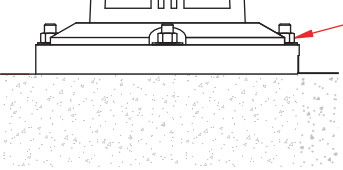


FOR FIXTURE DETAILS  
SEE DRAWING PD94142

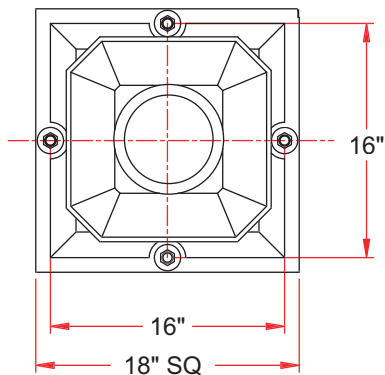


6'-8"

4'-5"



4 X 3/4" DIA X10"L  
VIBRATION-RESITANT  
WEDGE STUD ANCHORS  
(OR EXISTING, SPECIFY)



TOP VIEW

**Luminaire:** heavy wall cast aluminum

**Decorative top:** cast aluminum.

**Diffuser:** opal acrylic

**Optics:** bare lamp with a highly polished internal cone

**Ballast:** Advance CosmoWhite™ electronic with tool-less access and quick disconnects, mounted on a removable plate.

**Wattage:** 140W

**Wired voltage:** 208-277V

**Socket:** PGZ12

**Lamp:** Advance CosmoWhite™ 140W (by others)

**Pier support:** Cast aluminum base with fabricated shaft (1" aluminum angle frame and 0.188" th sheet)

**Mounting:** 4 x 3/4" DIA x 10" L vibration-resistant wedge stud anchors or existing (please specify)

**Listing:** per UL 1598 "suitable for wet locations".

**Finish:** TGIC polyester powder coat

**Color:** color by architect. Five standard colors to choose from: black, green, bronze, white and grey. Other colors available upon request.

**NOTE:** CosmoWhite™ is a registered trademark of Philips Lighting, a Division of Philips Electronics North America Corporation.

**Date:** Apr. 24, 2009

**Model:** CSH1414-WA-14CW-2-4-BA-PIER-53-COLOR

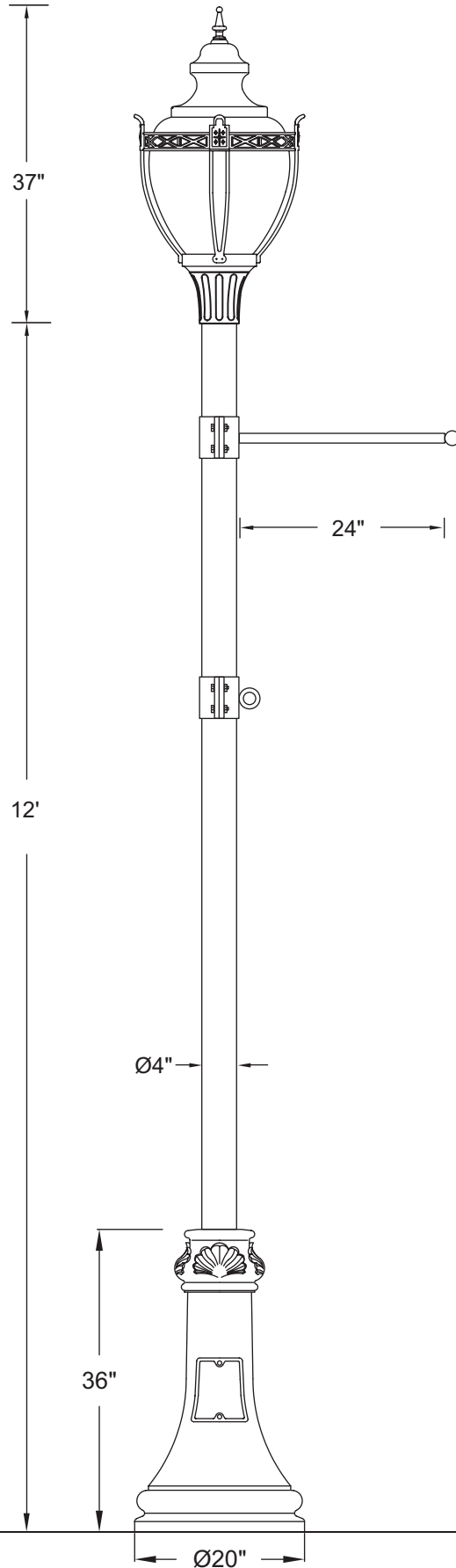
**Sheridan**  
lighting systems, inc.

Sheridan Lighting Systems, Inc.  
4 - 2525 Dunwin Dr  
Mississauga, ON L5L 1R9

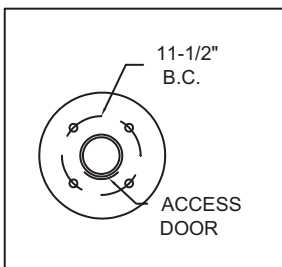
T 905-369-0101 F 905-369-0102  
sales@sheridansys.com www.sheridansys.com

PD703292

Ø20"



BOTTOM VIEW



UNIVERSITY OF SIOUX FALLS

**Finial:** cast aluminum

**Diffuser:** stippled (patterened) polycarbonate

**Cage:** cast aluminum, jig welded together

**Slip fitter:** cast aluminum

**Ballast:** MH high power factor, multi (quad) tap, with quick disconnects, mounted on a removable plate.

**Wattage:** 175W

**Voltage:** 120V

**Socket size:** mogul

**Lamp size:** ED28 (lamps by others)

**Optics:** borosilicate glass refractor IES type III

**Clamp-on banner arm:** 1"OD x 24"L steel tubing, with a cast aluminum removable ball and a clamp-on steel hog ring (1"ID). Location and orientation of banner arms and hog rings is adjustable as desired. Banners by others.

**Pole:** 4"OD extruded smooth aluminum tubing, 0.125" wall thickness, welded in and over a cast aluminum base.

**Mounting:** four 3/4"OD x 24"L steel anchor bolts, with two nuts and two washers per bolt for leveling, 3" hook, 3" projection, installed on 11-1/2" bolt circle. Anchor bolts, hardware and steel templates supplied by Sheridan.

**Finish:** TGIC polyester powder coat

**Color:** PLEASE ADVISE

**Date:** Mar. 29, 2007

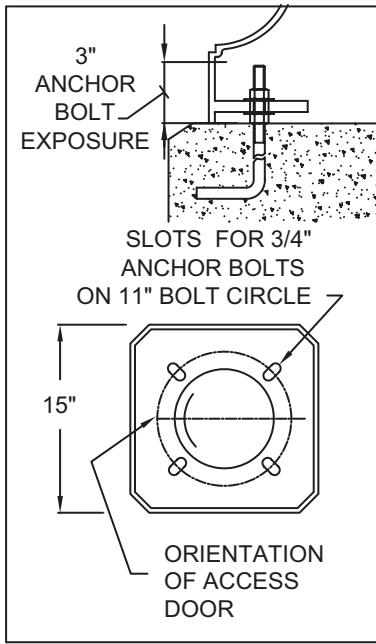
**Drawing:** PD703292

**Model:** SH01MOD-L-SP-H-17M-1-R3-FA-CP-4RS-12-BAC1H-COLOR

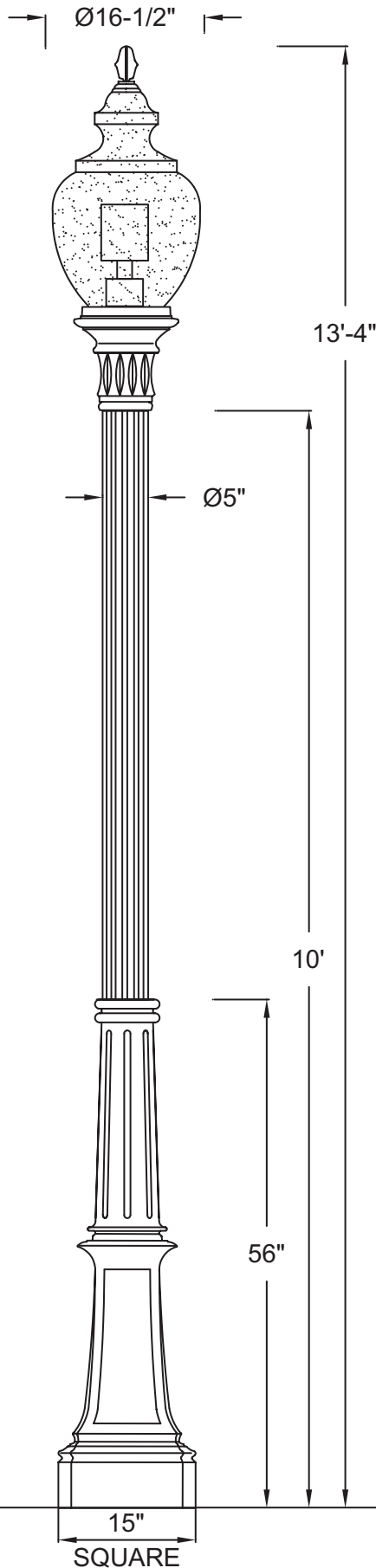
Sheridan  
lighting systems, inc.

Sheridan Lighting Systems, Inc.  
3500 Glen Erin Dr, Unit 44  
Mississauga, ON L5L 1W6

T 905-369-0101 F 905-369-0102  
sales@sheridansys.com www.sheridansys.com



BOTTOM ANCHOR PLATE VIEW



## DONOVAN BRIDGE

Type: LP3

### LUMINAIRE

**Finial:** decorative polycarbonate, painted to match the finish of pole

**Diffuser:** clear, stippled polycarbonate, secured with stainless steel hardware to the slip fitter.

**Slip fitter:** cast aluminum

**Optics:** borosilicate glass refractor IES type V

**Ballast:** 50W metal halide, multitap, high power factor, with quick disconnects, mounted on a removable plate.

**Voltage:** PLEASE ADVISE

**Lamp:** medium ED17 (by others)

### POLE

**Shaft:** 5"OD, 0.188" wall thickness, extruded fluted 6061-T6 aluminum, welded to pole base for one-piece construction.

**Pole base:** one-piece fluted cast aluminum with cast aluminum access door secured with stainless steel hardware.

**Anchor bolts:** 24"L x 3/4"OD, 3" hook, 3" projection, with two nuts and two washers per bolt, installed on 11" bolt circle; anchor bolts, nuts, washer and steel bolt circle template included.

**Finish:** TGIC polyester powder coat

**Color:** PLEASE ADVISE

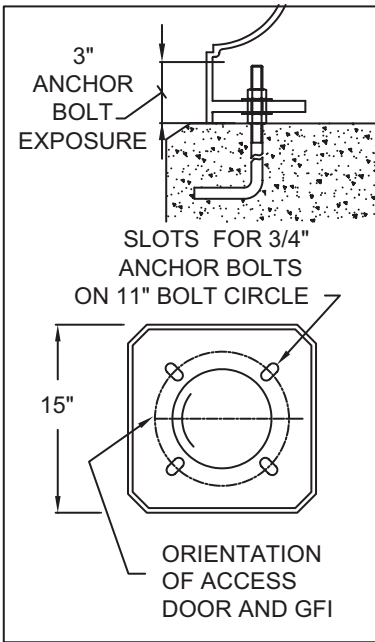
**Date:** Jul. 18, 2007

**Model:** SH01-L-SP-X-5M-MT-R5-FC-SP35-15-A-5-FSA-10-COLOR

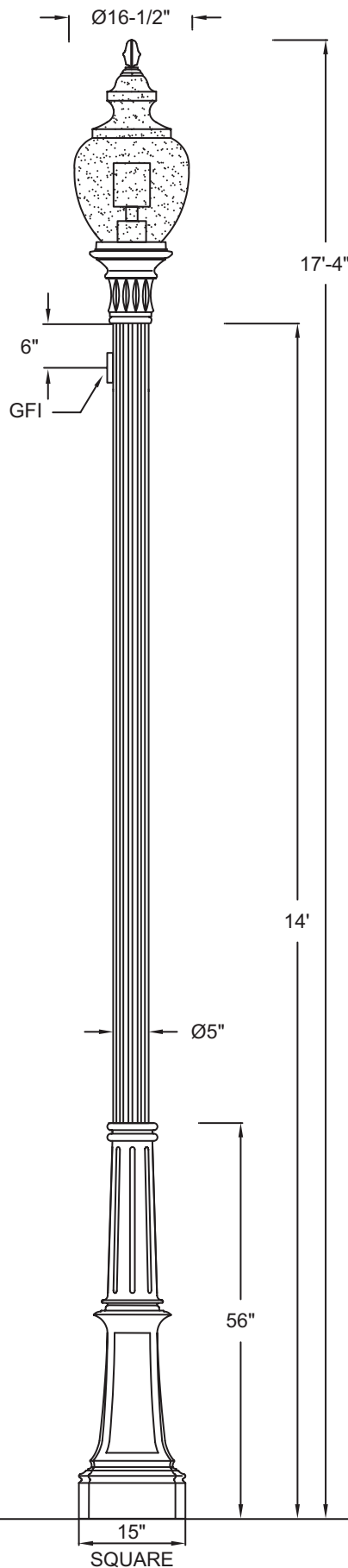
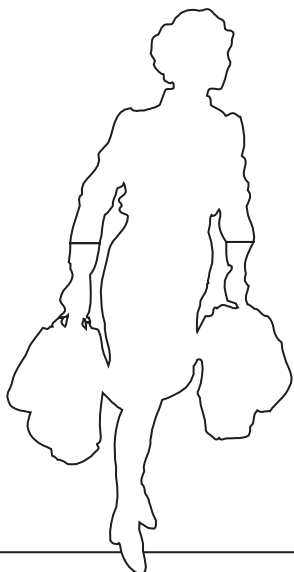
**Sheridan**  
lighting systems, inc.

Sheridan Lighting Systems, Inc.  
3500 Glen Erin Dr, Unit 44  
Mississauga, ON L5L 1W6

T 905-369-0101 F 905-369-0102  
sales@sheridansys.com www.sheridansys.com



BOTTOM ANCHOR PLATE VIEW



## DONOVAN BRIDGE

Type: LP2

### LUMINAIRE

**Finial:** decorative polycarbonate, painted to match the finish of pole

**Diffuser:** clear, stippled polycarbonate, secured with stainless steel hardware to the slip fitter.

**Slip fitter:** cast aluminum

**Optics:** borosilicate glass refractor IES type V

**Ballast:** 50W metal halide, mult-tap, high power factor, with quick disconnects, mounted on a removable plate.

**Voltage:** PLEASE ADVISE

**Lamp:** medium ED17 (by others)

### POLE

**Receptacle:** GFI, located 6" to center from top of pole

**Shaft:** 5"OD, 0.188" wall thickness, extruded fluted 6061-T6 aluminum, welded to pole base for one-piece construction.

**Pole base:** one-piece fluted cast aluminum

**Anchor bolts:** 24"L x 3/4"OD, 3" hook, 3" projection, with two nuts and two washers per bolt, installed on 11" bolt circle; anchor bolts, nuts, washer and steel bolt circle template included.

**Finish:** TGIC polyester powder coat

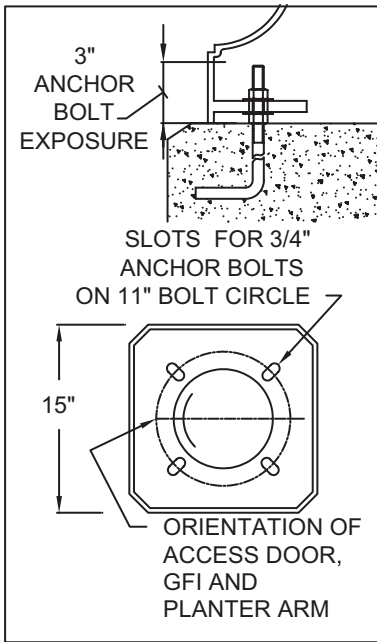
**Color:** PLEASE ADVISE

**Date:** Jul. 18, 2007

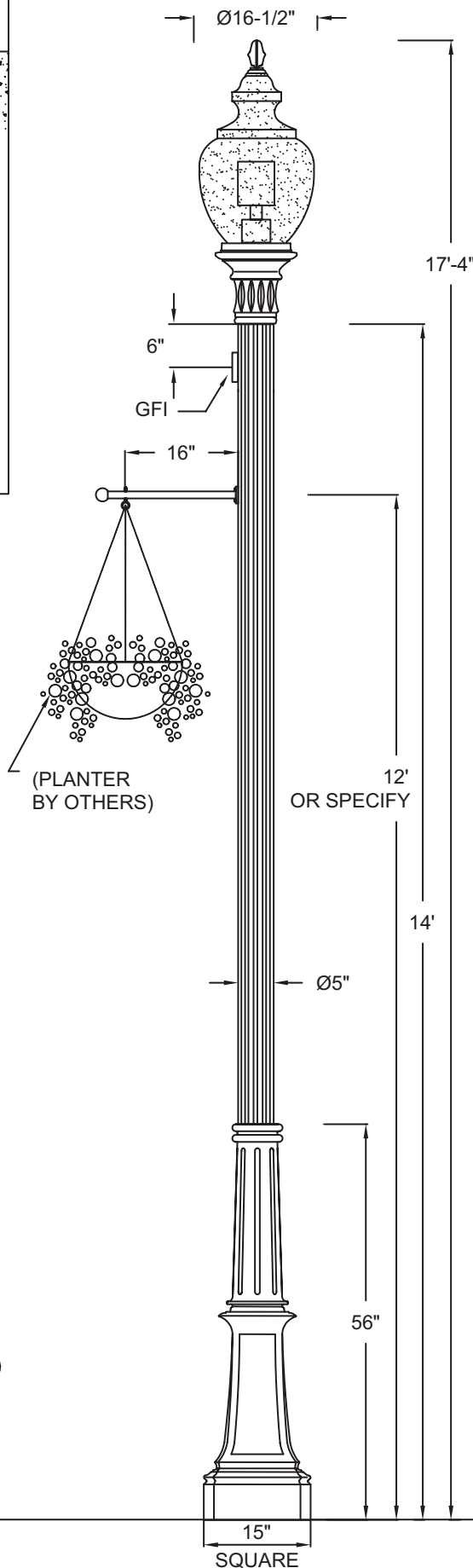
**Model:** SH01-L-SP-X-5M-MT-R5-FC-SP35-15-A-5-FSA-14-GFI-COLOR

**Sheridan**  
lighting systems, inc.

Sheridan Lighting Systems, Inc.  
3500 Glen Erin Dr, Unit 44  
Mississauga, ON L5L 1W6



BOTTOM ANCHOR PLATE VIEW



## DONOVAN BRIDGE

Type: LP1

### LUMINAIRE

**Finial:** decorative polycarbonate, painted to match the finish of pole

**Diffuser:** clear, stippled polycarbonate, secured with stainless steel hardware to the slip fitter.

**Slip fitter:** cast aluminum

**Optics:** borosilicate glass refractor IES type V

**Ballast:** 100W metal halide, multitap, high power factor, with quick disconnects, mounted on a removable plate.

**Voltage:** PLEASE ADVISE

**Lamp:** mogul ED28 (by others)

### POLE

**Receptacle:** GFI, located 6" to center from top of pole

**Planter arm:** bolt-on steel tubing with cast aluminum end ball and steel eye bolt. Planters by others.

**Shaft:** 5"OD, 0.188" wall thickness, extruded fluted 6061-T6 aluminum, welded to pole base for one-piece construction.

**Pole base:** one-piece fluted cast aluminum

**Anchor bolts:** 24"L x 3/4"OD, 3" hook, 3" projection, with two nuts and two washers per bolt, installed on 11" bolt circle; anchor bolts, nuts, washer and steel bolt circle template included.

**Finish:** TGIC polyester powder coat

**Color:** PLEASE ADVISE

**Date:** Jul. 18, 2007

**Model:** SH01-L-SP-X-10M-MT-R5-FC-SP35-15-A-5-FSA-14-FBC1-GFI-COLOR

**Sheridan**  
lighting systems, inc.

Sheridan Lighting Systems, Inc.  
3500 Glen Erin Dr, Unit 44  
Mississauga, ON L5L 1W6

T 905-369-0101 F 905-369-0102  
sales@sheridansys.com www.sheridansys.com

PD85143

**PARK PLACE BLVD  
Type Banner Pole**

**Base cover:** decorative, two-piece cast aluminum with handhole and s/s hardware

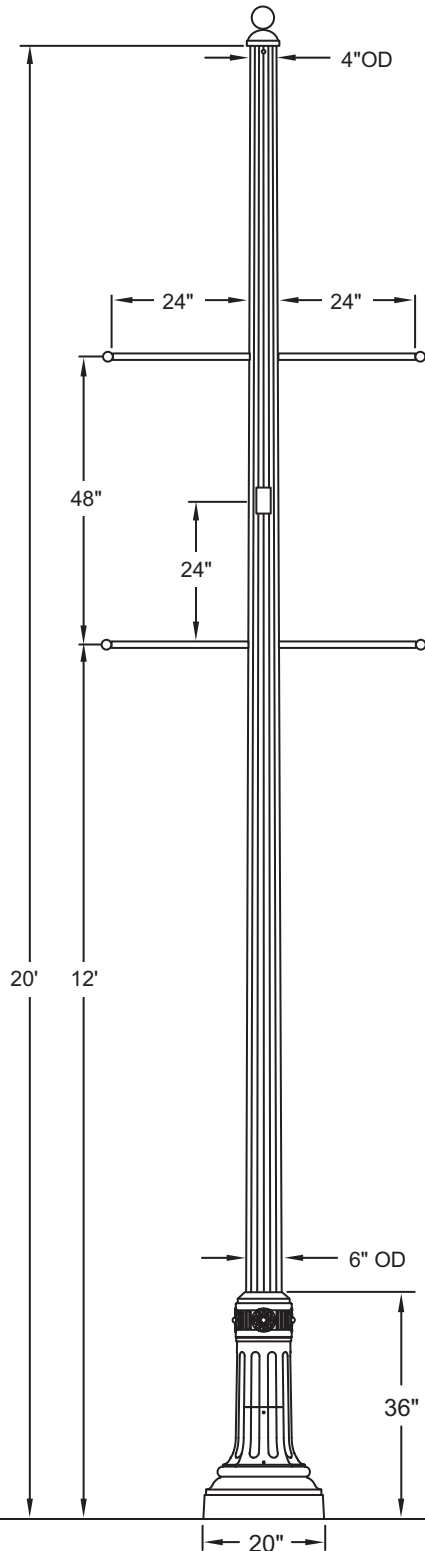
**Pole:** tapered fluted aluminum shaft, with 0.188" wall thickness and 16 flutes, tapering from 6" at top of base covers to 4" at top of pole. Supplied with four 1" x 36"L galvanized steel anchor bolts, with two nuts and two washers per bolt and steel template for 15" bolt circle. Pole is topped with a cast aluminum adaptor and ball finial.

**Banner arms:** 1"OD x 24"L steel tubing, with a cast aluminum removable 2"OD ball. Banners by others.

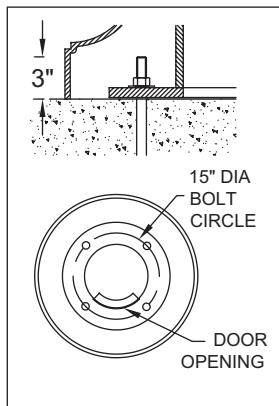
**Receptacle:** GFI

**Finish:** TGIC polyester powder coat

**Color:** PLEASE ADVISE



**BASE PLATE DETAIL**



**Date:** May 14, 2008

**Model:** CP2036-64FTA-20-GFI-BAB22-  
COLOR

**Sheridan**  
lighting systems, inc.

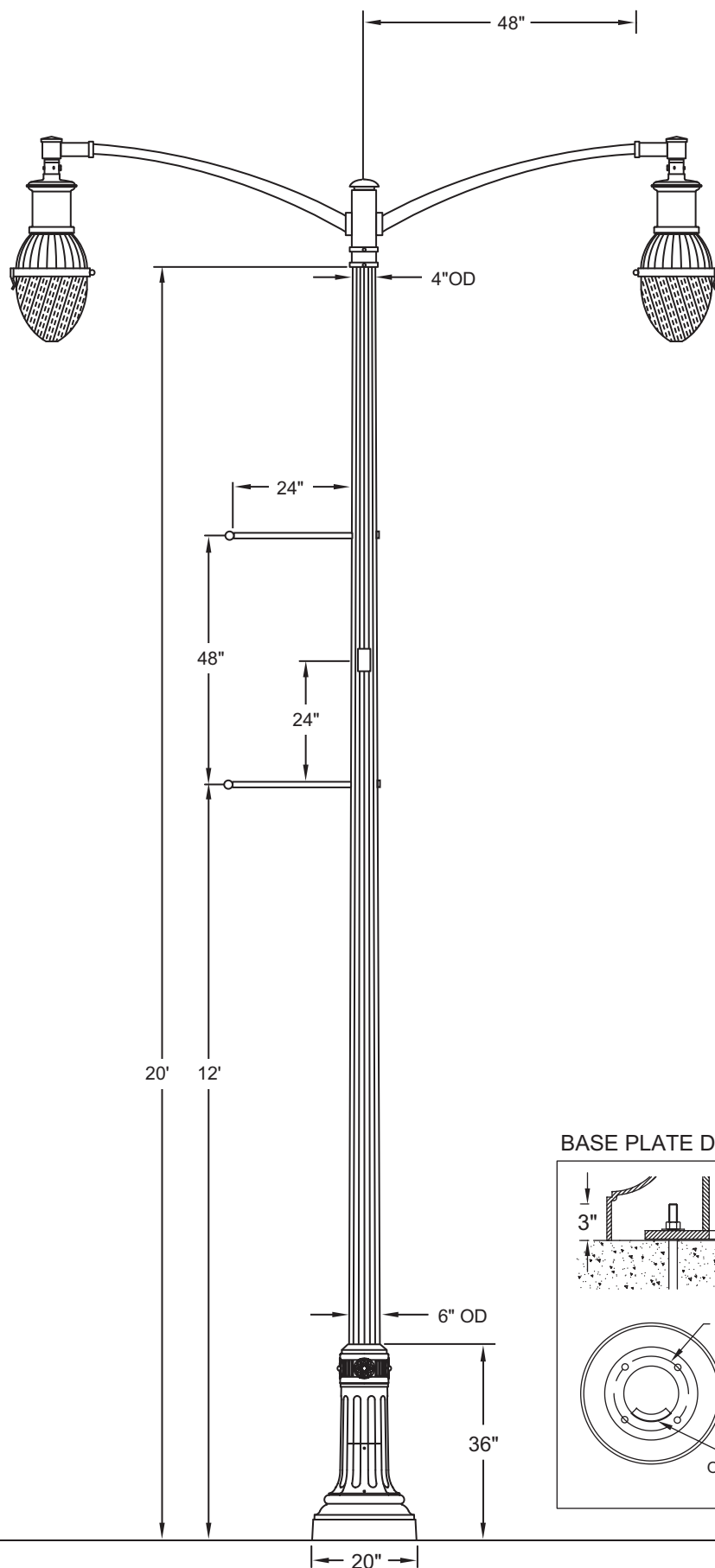
Sheridan Lighting Systems, Inc.  
4 - 2525 Dunwin Dr  
Mississauga, ON L5L 1R9

T 905-369-0101 F 905-369-0102  
sales@sheridansys.com www.sheridansys.com



PD85142

**PARK PLACE BLVD  
Type Special 2**



**Ballast housing:** heavy wall cast aluminum body.

**Ballast:** MH high power factor, multi (quad) tap, wired for 120V, ANSI M102, with tool-less access and quick disconnects, mounted on a removable plate.

**Wattage:** 150W

**Socket:** mogul, porcelain, 4KV pulse rated

**Lamp size:** ED28 (by others)

**Reflector:** multifaceted bright anodized aluminum.

**Diffuser:** hinged, clear prismatic polycarbonate refractor, with tool-less access to lamp.

**IES Distribution:** type III

**Twin arm:** tapered aluminum extrusion, mechanically secured to the pole and luminaire adaptors

**Luminaire adaptor:** cast aluminum. Luminaire is secured with three set screws and one security bolt.

**Pole adaptor:** cast aluminum, mechanically secured to the pole

**Mounting hardware:** included

**Banner arms:** 1"OD x 24"L steel tubing, with a cast aluminum removable 2" OD ball. Banners by others.

**Base cover:** decorative, two-piece cast aluminum with handhole and s/s hardware

**Pole:** tapered fluted aluminum shaft, with 0.25" wall thickness and 16 flutes, tapering from 6" at top of base covers to 4" at top of pole. Supplied with four 1" x 36"L galvanized steel anchor bolts, with two nuts and two washers per bolt and steel template for 15" bolt circle.

**Receptacle:** GFI

**Finish:** TGIC polyester powder coat

**Color:** PLEASE ADVISE

**Date:** May 14, 2008

**Model:** (2)SH90-P3-15M-1-CA-B4-CP2036-64FTA-20-GFI-BAB11-COLOR

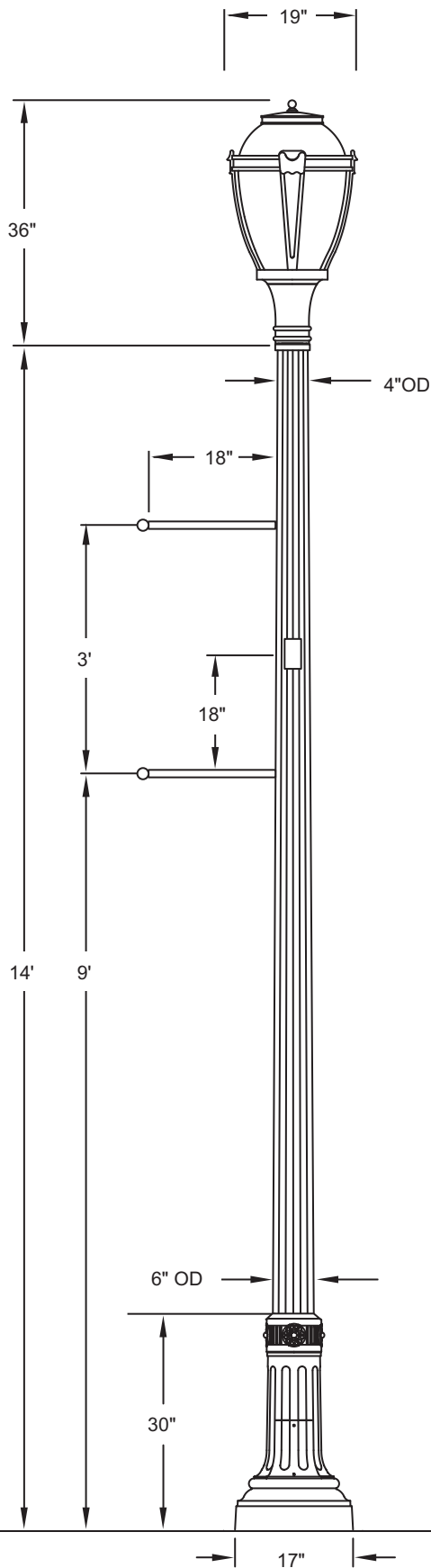
**Sheridan**  
lighting systems, inc.

Sheridan Lighting Systems, Inc.  
4 - 2525 Dunwin Dr  
Mississauga, ON L5L 1R9

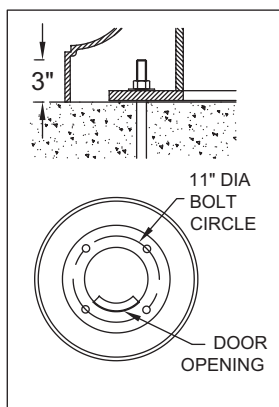
T 905-369-0101 F 905-369-0102  
sales@sheridansys.com www.sheridansys.com

PD85144

**PARK PLACE BLVD  
Type Special 3**



**BASE PLATE DETAIL**



**Luminaire capital/ballast holder:** heavy wall cast aluminum.

**Ballast:** MH high power factor, multi (quad) tap, wired for 120V, ANSI M102, with tool-less access and quick disconnects, mounted on a removable plate.

**Wattage:** 150W

**Socket:** mogul, porcelain, 4KV pulse rated

**Lamp size:** ED28 (by others)

**Reflector:** multifaceted laser-cut high performance, aluminum.

**IES Distribution:** type III

**Diffuser:** clear stippled acrylic

**Cage:** jig-welded cast aluminum

**Roof:** spun aluminum, hinged

**Diffuser:** cast aluminum

**Banner arms:** 1"OD x 18"L steel tubing, with a cast aluminum removable 2" OD ball. Banners by others.

**Base cover:** decorative, two-piece cast aluminum with handhole and s/s hardware

**Pole:** tapered fluted aluminum shaft, with 0.25" wall thickness and 16 flutes, tapering from 6" at top of base covers to 4" at top of pole. Supplied with four 3/4" x 24"L galvanized steel anchor bolts, with two nuts and two washers per bolt and steel template for 11" bolt circle.

**Receptacle:** GFI

**Finish:** TGIC polyester powder coat

**Color:** PLEASE ADVISE

**Date:** May 14, 2008

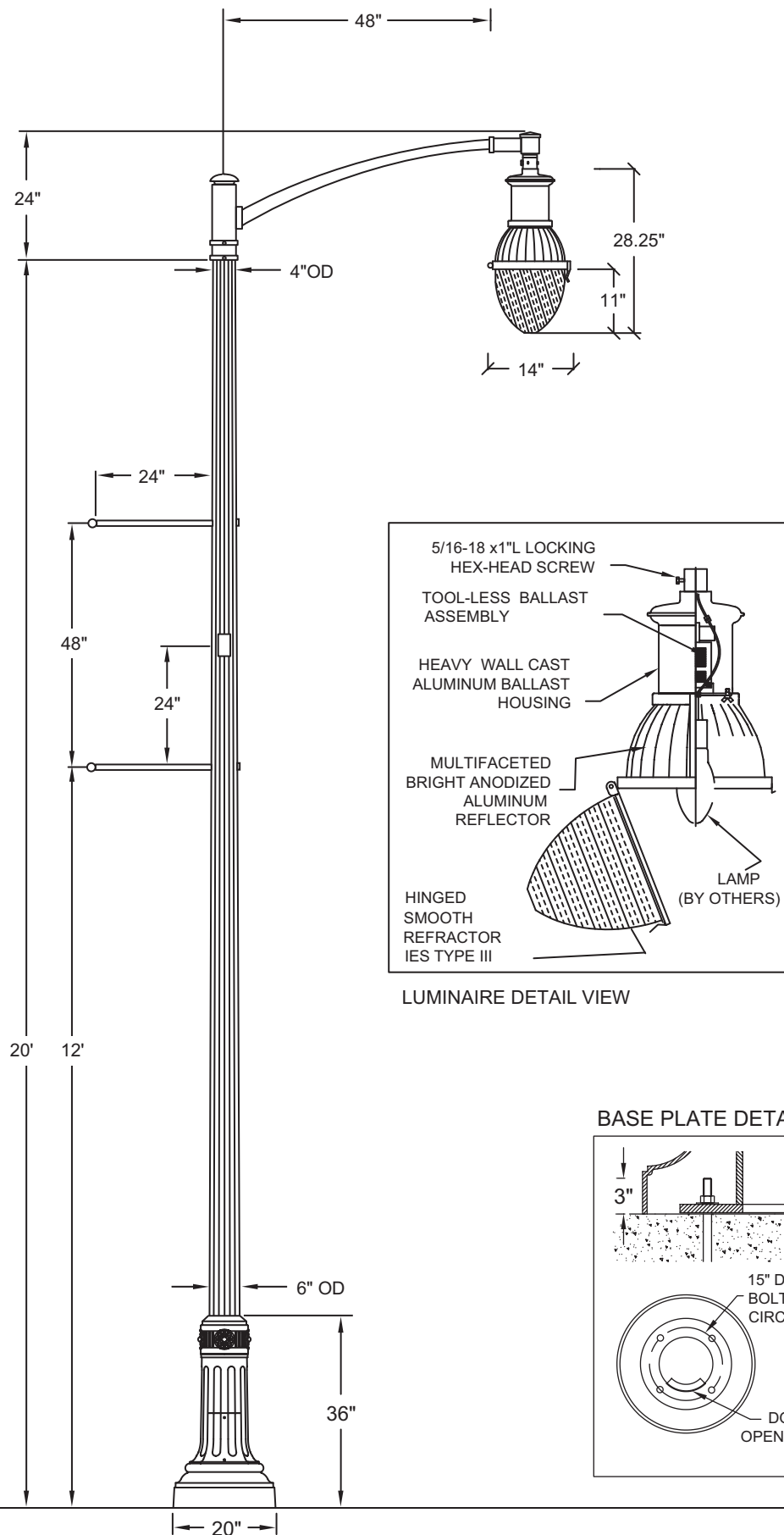
**Model:** SH20-SA-B-15M-1-HR-3-FD-CP1730-64FTA-14-GFI-BAB11-18-COLOR

**Sheridan**  
lighting systems, inc.

Sheridan Lighting Systems, Inc.  
4 - 2525 Dunwin Dr  
Mississauga, ON L5L 1R9

T 905-369-0101 F 905-369-0102  
sales@sheridansys.com www.sheridansys.com

**PD85141**



**PARK PLACE BLVD  
Type Special 1**

**Ballast housing:** heavy wall cast aluminum body.

**Ballast:** MH high power factor, multi (quad) tap, wired for 120V, ANSI M102, with tool-less access and quick disconnects, mounted on a removable plate.

**Wattage:** 150W

**Socket:** mogul, porcelain, 4KV pulse rated

**Lamp size:** ED28 (by others)

**Reflector:** multifaceted bright anodized aluminum.

**Diffuser:** hinged, clear prismatic polycarbonate refractor, with tool-less access to lamp.

**IES Distribution:** type III

**Arm:** tapered aluminum extrusion, mechanically secured to the pole and luminaire adaptors

**Luminaire adaptor:** cast aluminum. Luminaire is secured with three set screws and one security bolt.

**Pole adaptor:** cast aluminum, mechanically secured to the pole

**Mounting hardware:** included

**Banner arms:** 1"OD x 24"L steel tubing, with a cast aluminum removable 2" OD ball. Banners by others.

**Base cover:** decorative, two-piece cast aluminum with handhole and s/s hardware

**Pole:** tapered fluted aluminum shaft, with 0.25" wall thickness and 16 flutes, tapering from 6" at top of base covers to 4" at top of pole. Supplied with four 1" x 36"L galvanized steel anchor bolts, with two nuts and two washers per bolt and steel template for 15" bolt circle.

**Receptacle:** GFI

**Finish:** TGIC polyester powder coat

**Color:** PLEASE ADVISE

**Date:** May 14, 2008

**Model:** SH90-P3-15M-1-CA-A4-CP2036-64FTA-20-GFI-BAB11-COLOR

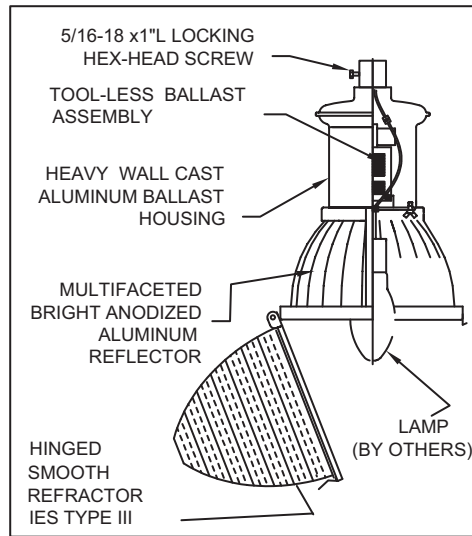
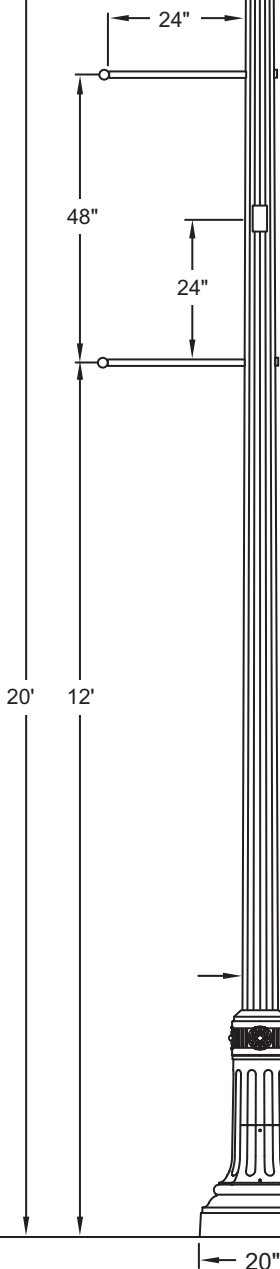
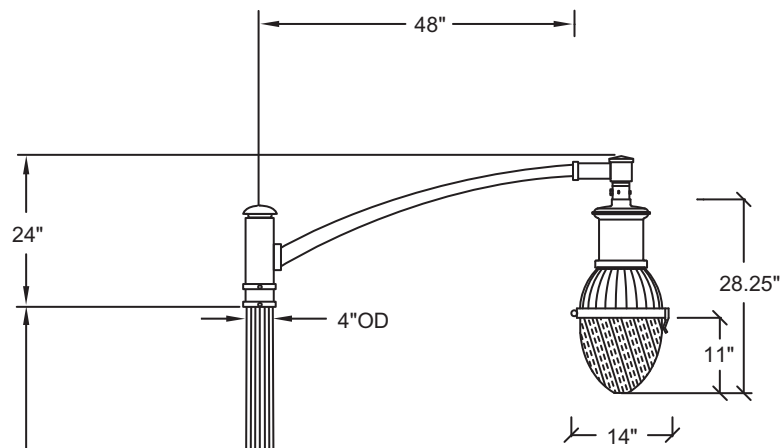
**Sheridan**  
lighting systems, inc.

Sheridan Lighting Systems, Inc.  
4 - 2525 Dunwin Dr  
Mississauga, ON L5L 1R9

T 905-369-0101 F 905-369-0102  
sales@sheridansys.com www.sheridansys.com

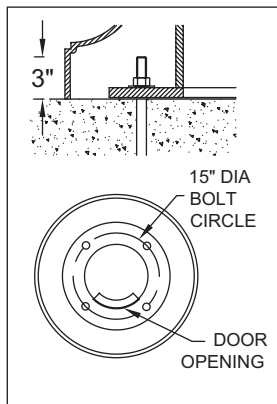
PD85146

**PARK PLACE BLVD  
Type Special 1 - ALT**



LUMINAIRE DETAIL VIEW

**BASE PLATE DETAIL**



**Ballast housing:** heavy wall cast aluminum body.

**Ballast:** MH high power factor, multi (quad) tap, wired for 120V, ANSI M102, with tool-less access and quick disconnects, mounted on a removable plate.

**Wattage:** 150W

**Socket:** mogul, porcelain, 4KV pulse rated

**Lamp size:** ED28 (by others)

**Reflector:** multifaceted bright anodized aluminum.

**Diffuser:** hinged, clear prismatic borosilicate glass refractor, with tool-less access to lamp.

**IES Distribution:** type III

**Arm:** tapered aluminum extrusion, mechanically secured to the pole and luminaire adaptors

**Luminaire adaptor:** cast aluminum. Luminaire is secured with three set screws and one security bolt.

**Pole adaptor:** cast aluminum, mechanically secured to the pole

**Mounting hardware:** included

**Banner arms:** 1"OD x 24"L steel tubing, with a cast aluminum removable 2" OD ball. Banners by others.

**Base cover:** decorative, two-piece cast aluminum with handhole and s/s hardware

**Pole:** tapered fluted aluminum shaft, with 0.25" wall thickness and 16 flutes, tapering from 6" at top of base covers to 4" at top of pole. Supplied with four 1" x 36"L galvanized steel anchor bolts, with two nuts and two washers per bolt and steel template for 15" bolt circle.

**Receptacle:** GFI

**Finish:** TGIC polyester powder coat

**Color:** PLEASE ADVISE

**Date:** May 14, 2008

**Model:** SH90-G3-15M-1-CA-A4-CP2036-64FTA-20-GFI-BAB11-COLOR

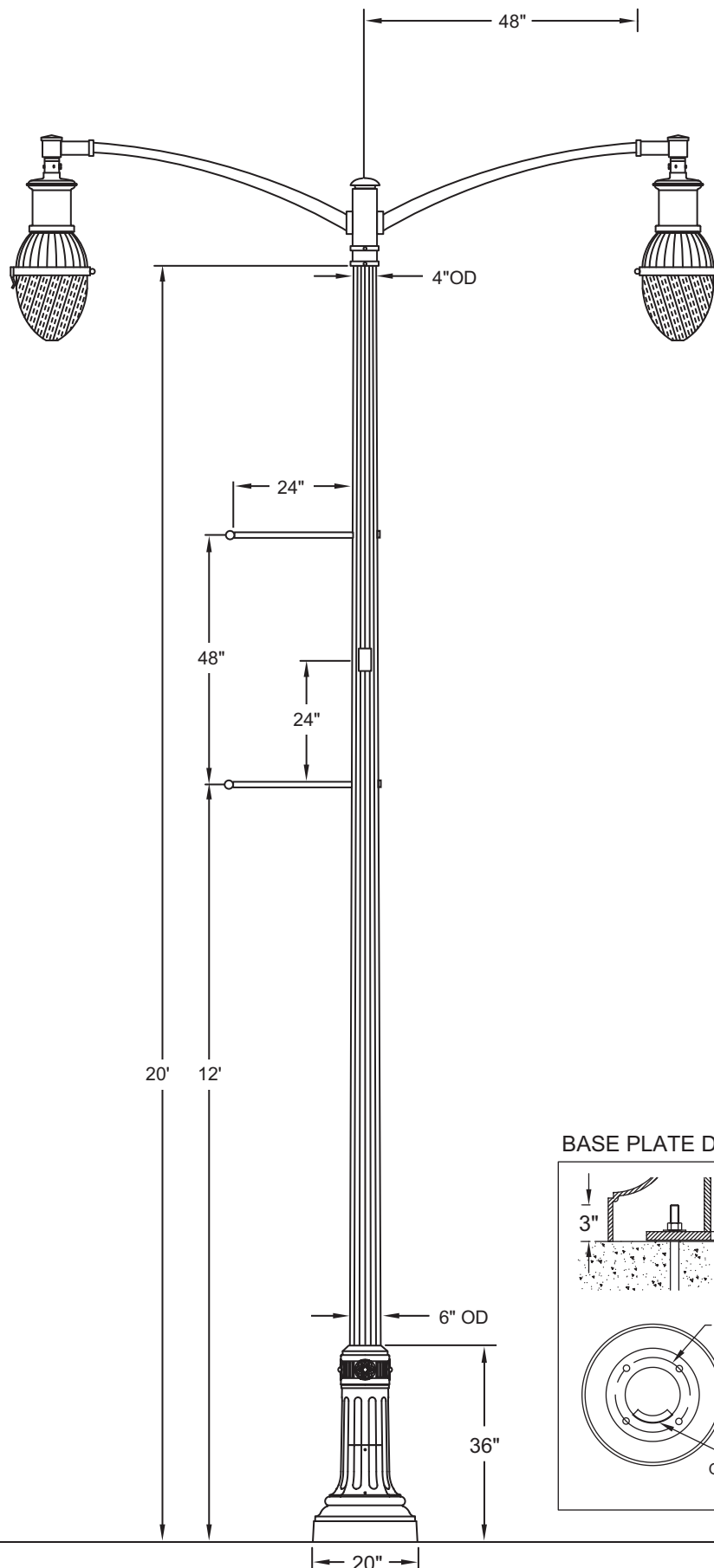
**Sheridan**  
lighting systems, inc.

Sheridan Lighting Systems, Inc.  
4 - 2525 Dunwin Dr  
Mississauga, ON L5L 1R9

T 905-369-0101 F 905-369-0102  
sales@sheridansys.com www.sheridansys.com

PD85145

**PARK PLACE BLVD  
Type Special 2 - ALT**



**Ballast housing:** heavy wall cast aluminum body.

**Ballast:** MH high power factor, multi (quad) tap, wired for 120V, ANSI M102, with tool-less access and quick disconnects, mounted on a removable plate.

**Wattage:** 150W

**Socket:** mogul, porcelain, 4KV pulse rated

**Lamp size:** ED28 (by others)

**Reflector:** multifaceted bright anodized aluminum.

**Diffuser:** hinged, clear prismatic borosilicate glass refractor, with tool-less access to lamp.

**IES Distribution:** type III

**Twin arm:** tapered aluminum extrusion, mechanically secured to the pole and luminaire adaptors

**Luminaire adaptor:** cast aluminum. Luminaire is secured with three set screws and one security bolt.

**Pole adaptor:** cast aluminum, mechanically secured to the pole

**Mounting hardware:** included

**Banner arms:** 1"OD x 24"L steel tubing, with a cast aluminum removable 2" OD ball. Banners by others.

**Base cover:** decorative, two-piece cast aluminum with handhole and s/s hardware

**Pole:** tapered fluted aluminum shaft, with 0.25" wall thickness and 16 flutes, tapering from 6" at top of base covers to 4" at top of pole. Supplied with four 1" x 36"L galvanized steel anchor bolts, with two nuts and two washers per bolt and steel template for 15" bolt circle.

**Receptacle:** GFI

**Finish:** TGIC polyester powder coat

**Color:** PLEASE ADVISE

**Date:** May 14, 2008

**Model:** (2)SH90-G3-15M-1-CA-B4-CP2036-64FTA-20-GFI-BAB11-COLOR

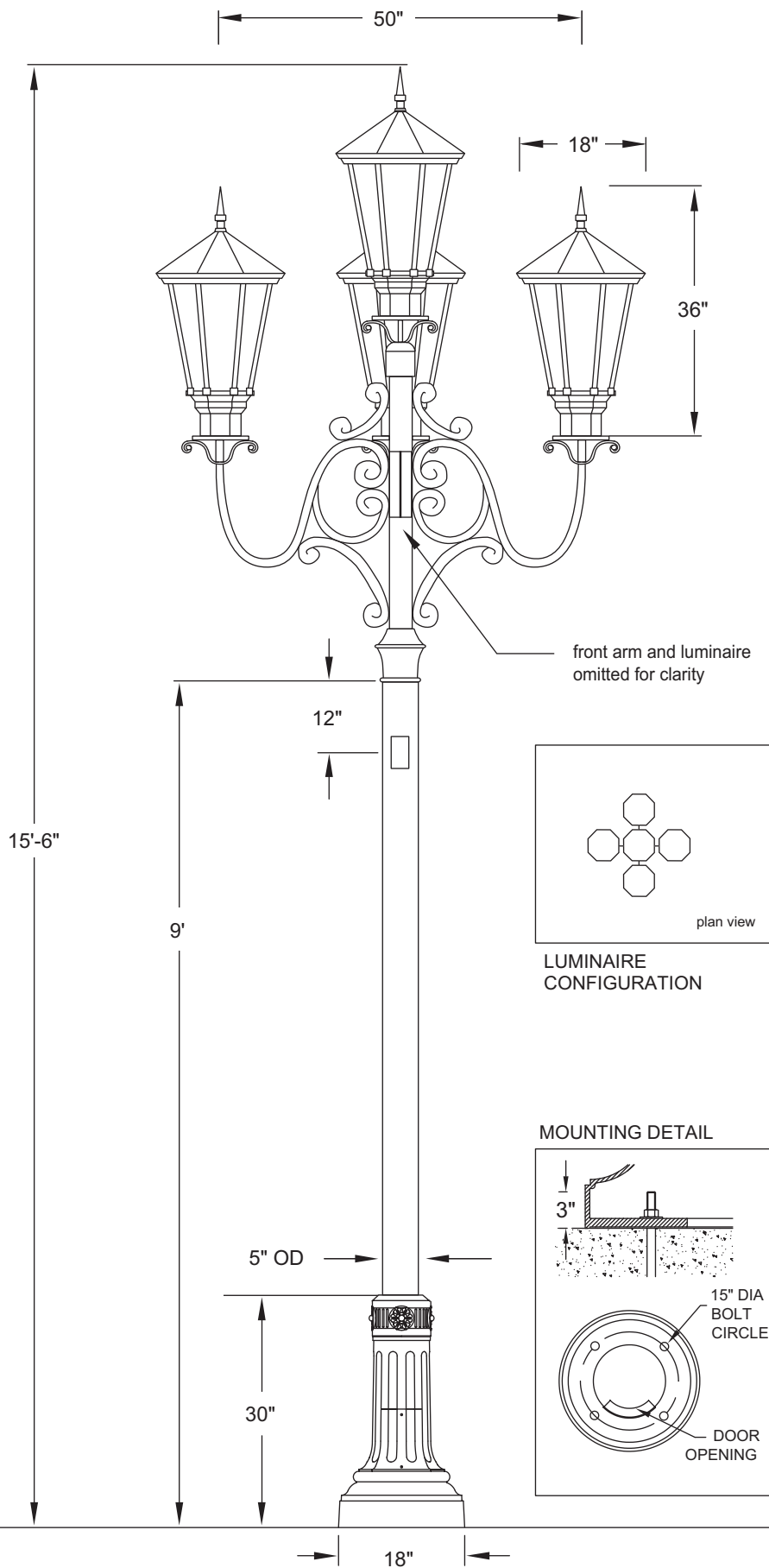
**Sheridan**  
lighting systems, inc.

Sheridan Lighting Systems, Inc.  
4 - 2525 Dunwin Dr  
Mississauga, ON L5L 1R9

T 905-369-0101 F 905-369-0102  
sales@sheridansys.com www.sheridansys.com

PD85221

**FIVE-LUMINAIRE  
POLE ASSEMBLY**



**Hood:** octagonal, cast aluminum, topped with a decorative cast aluminum spike finial. Hood is hinged for ease of access to electrical components within the luminaire, with tool-less access.

**Luminaire cage:** cast aluminum

**Diffuser:** white acrylic

**Capital/ballast holder:** heavy wall cast aluminum.

**Ballast:** HPS high power factor, ANSI S68, with tool-less access and quick disconnects, mounted on a removable plate.

**Wattage:** 50W    **Voltage:** ADVISE

**Socket:** mogul, porcelain, 4KV pulse rated

**Lamp size:** ED23 1/2 (by others)

**Optical system:** bare lamp

**Arms:** cast aluminum with ornamental scrollwork, welded to aluminum mounting plates. Mounting hardware included.

**Luminaire configuration:** four at 90 deg., plus one central

**Base cover:** decorative, one-piece cast aluminum with handhole and s/s hardware

**Pole:** round smooth 5"OD aluminum shaft, with 0.25" wall thickness. Supplied with four 3/4" x 24"L galvanized steel anchor bolts, with two nuts and two washers per bolt and steel template for 15" bolt circle.

**Receptacle:** GFI (to be wired by electrical contractor)

**Finish:** TGIC polyester powder coat

**Color:** Custom, to match existing. Please provide 2" x 2" color chip.

**Date:** May 22, 2008

**Model:** (5) CF1836-WA-50H-MT-BL-CA-SCR-E--COL-36-CP1830-9-GFI-CTM

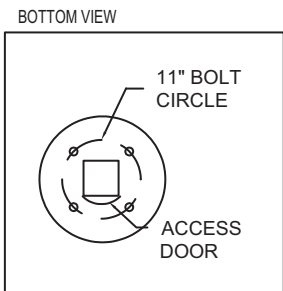
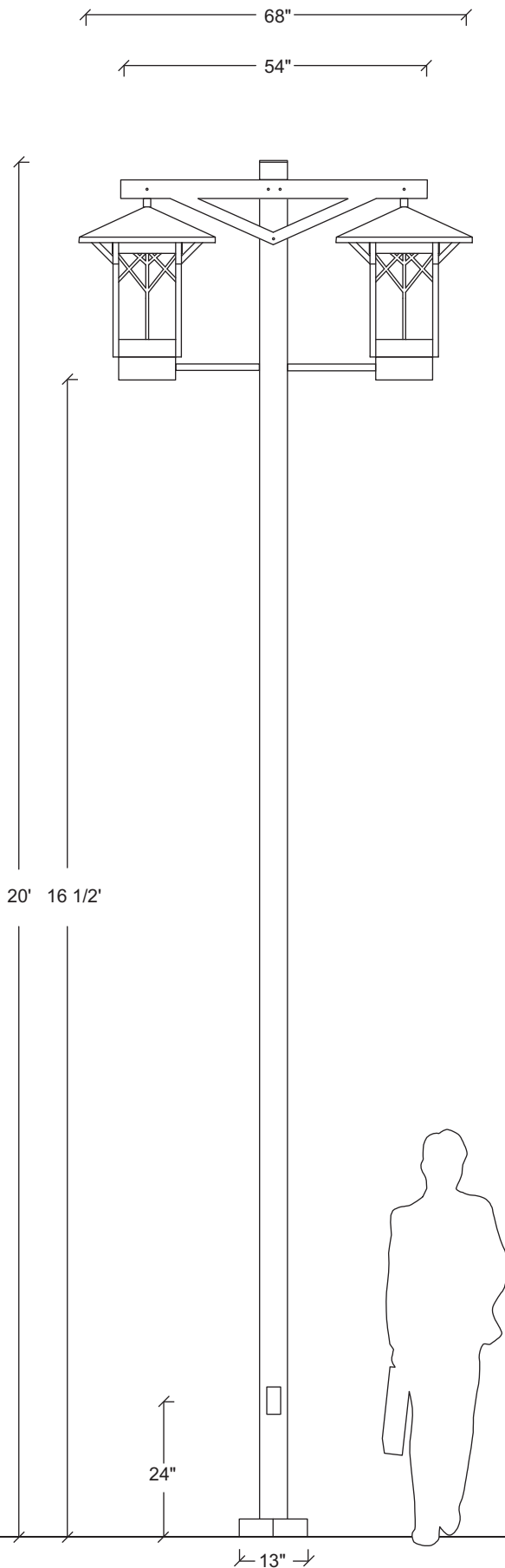
**Sheridan**  
lighting systems, inc.

Sheridan Lighting Systems, Inc.  
4 - 2525 Dunwin Dr  
Mississauga, ON L5L 1R9

T 905-369-0101    F 905-369-0102  
sales@sheridansys.com    www.sheridansys.com

# PD86161

## THEME LIGHTS



**Luminaire:** heavy wall cast aluminum roof welded to a cast aluminum top chamber. Roof is hinged for ease of access to lamp and optical assembly. Four sides with "latticework" design are water-jet cut aluminum welded to cast aluminum bottom.

**Optics:** segmented horizontal bright anodized reflector IES type III with full cutoff

**Ballast:** standard probe 175W MH, ANSI M57, multi (quad) tap, wired for \_\_\_\_V, with tool-less access and quick disconnects, mounted on a removable plate within the luminaire.

**Socket size:** mogul, porcelain, 4KV pulse rated

**Lamp:** ED28 (by others)

**Diffuser:** four clear acrylic panels

**Arm:** aluminum extrusion attached to aluminum support beam.

**Configuration:** twin

**Pole:** 5" x 5" x 0.25" thick aluminum extrusion, welded to a cast aluminum base plate, with cast aluminum base split cover to conceal the base and anchor bolts. A 2 1/2"W x 4"H access door is provided at 24" to center. Ground lug is located opposite access door.

**Anchor bolts:** four 24"L x 3/4"OD galvanized steel 55ksi min. yield bolts with 3" hook and 3" projection, with two nuts and two washers each and a steel template to install bolts on 11" bolt circle.

**All exposed hardware:** stainless steel

**Finish:** TGIC polyester powder coat

**Color:** black

**Date:** June 16, 2008

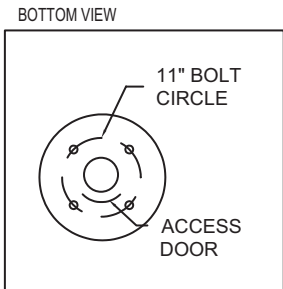
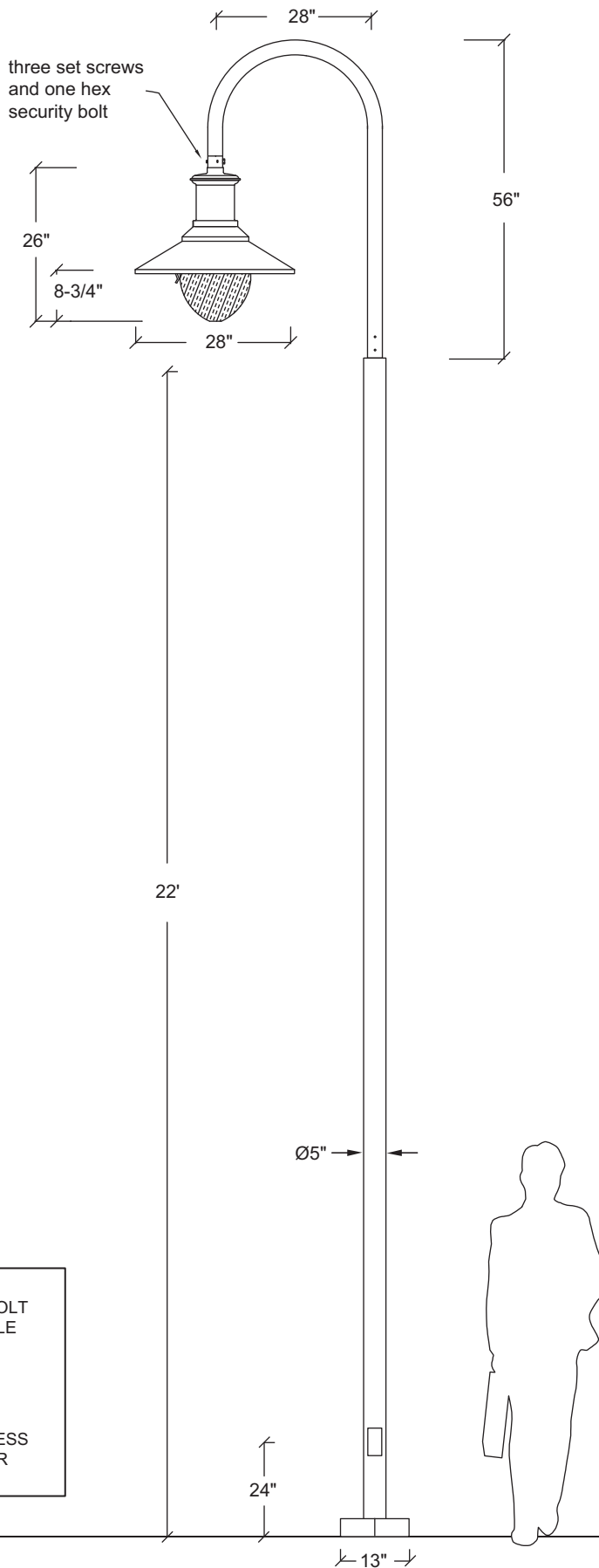
**Model:** (2)CF2430-CA-17M-VOLT-HR3-CA-54-B-CP-55-20-BLK

**Sheridan**  
lighting systems, inc.

Sheridan Lighting Systems, Inc.  
4-2525 Dunwin Dr  
Mississauga, ON L5L 1R9

T 905-369-0101 F 905-369-0102  
sales@sheridansys.com www.sheridansys.com

# PD86191



## THEME LIGHTS

**Ballast housing:** heavy wall cast aluminum body.

**Ballast:** standard probe 175W MH, ANSI M57, multi (quad) tap, wired for \_\_\_\_ V, with tool-less access and quick disconnects, mounted on a removable plate within the luminaire.

**Socket:** mogul, porcelain, 4KV pulse rated

**Lamp:** ED28 (by others)

**Reflector:** multifaceted bright anodized aluminum.

**Diffuser:** hinged, clear prismatic borosilicate glass, with tool-less access to lamp via a side latch.

**IES Distribution:** type III

**Skirt:** heavy spun aluminum, permanently attached to the luminaire.

**Arm:** single, 2" schedule 40 pipe (2-3/8"OD), bent at 180 deg.

**Luminaire mounting:** luminaire is secured with three set screws and one security bolt. On pole side, arm slip fits onto 1-1/2" pipe (1.9"OD) x 5"L tenon (by others)

**Mounting hardware:** included

**Pole:** 5" x 5" x 0.25" thick round aluminum extrusion, welded to a cast aluminum base plate, with cast aluminum base split cover to conceal the base and anchor bolts. A 2 1/2"W x 4"H access door is provided at 24" to center. Ground lug is located opposite access door.

**Anchor bolts:** four 24"L x 3/4"OD galvanized steel 55ksi min. yield bolts with 3" hook and 3" projection, with two nuts and two washers each and a steel template to install bolts on 11" bolt circle.

**All exposed hardware:** stainless steel

**Finish:** TGIC polyester powder coat

**Color:** black

**Date:** June 19, 2008

**Model:** SH90-G3-17H-VOLT-SKT-SA25-A-CP-55-20-BLK

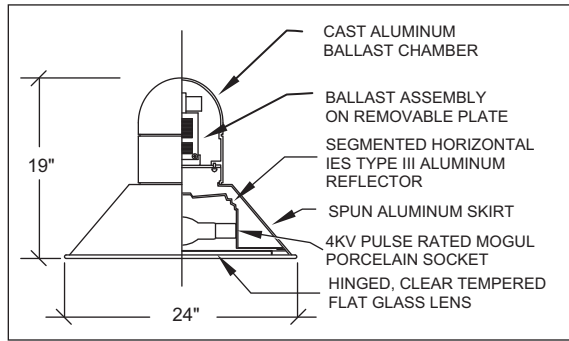
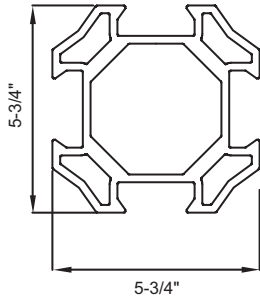
**Sheridan**  
lighting systems, inc.

Sheridan Lighting Systems, Inc.  
4-2525 Dunwin Dr  
Mississauga, ON L5L 1R9

T 905-369-0101 F 905-369-0102  
sales@sheridansys.com www.sheridansys.com

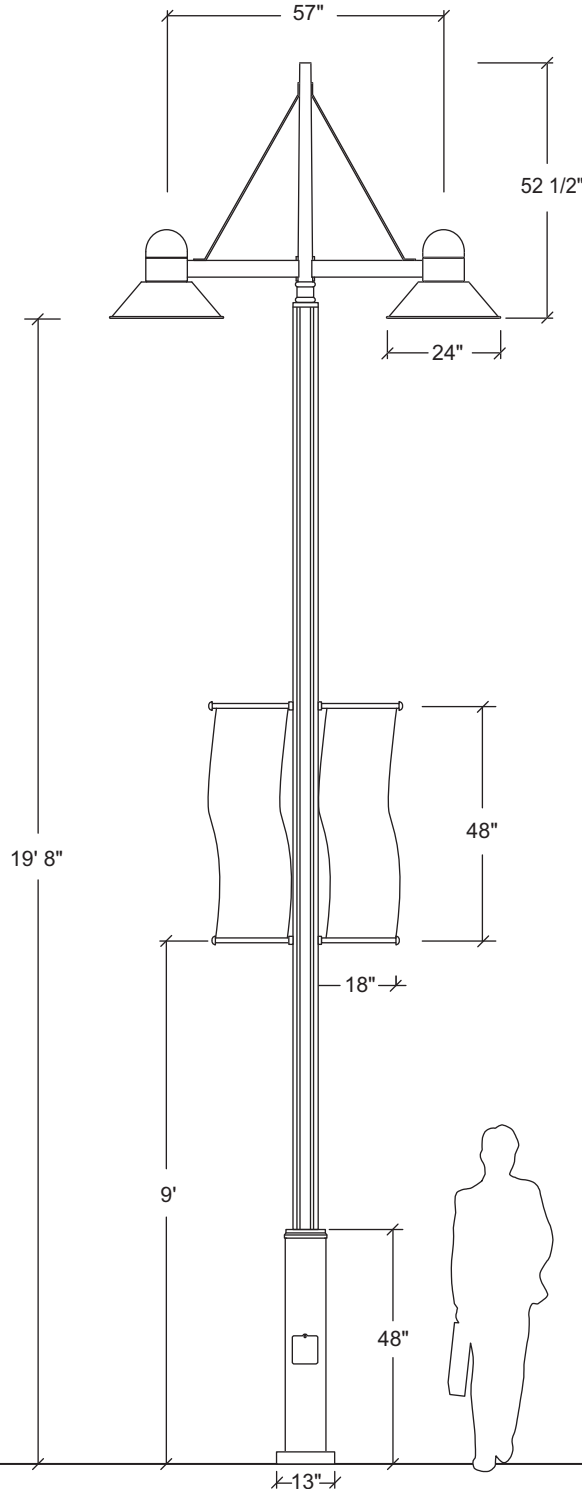


Detail of shaft extrusion

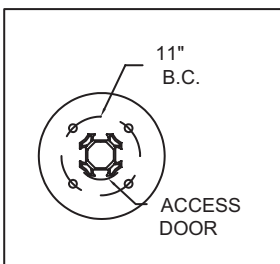


LUMINAIRE DETAILS

# PD8731



BOTTOM VIEW



## MUSEUM PLACE

**Ballast chamber:** heavy wall cast aluminum

**Decorative skirt:** spun aluminum, permanently attached to the domed ballast chamber.

**Diffuser:** hinged, clear tempered flat glass

**Optics:** segmented horizontal bright anodized reflector IES type III with full cutoff

**Ballast:** probe start 175W MH, ANSI M57, multi (quad) tap, wired for \_\_\_\_V, with tool-less access and quick disconnects, mounted on a removable plate within the luminaire.

**Socket size:** mogul, porcelain, 4KV pulse rated

**Lamp:** ED28 (by others)

**Arm:** aluminum 2" x 3" rectangular extrusion welded to an aluminum column, with aluminum support beams.

**Configuration:** twin

**Shaft:** 5 3/4" x 5 3/4" aluminum extrusion, with four external and one internal raceways, welded in and over extruded aluminum base, with cast aluminum collar to conceal welds. Shaft features integral decorative pole top tenon. Shaft design allows for incremental addition of accessories, such as signage, planter baskets, etc. Special track design facilitates re-positioning of accessories as needed, without use of clamps.

**Base:** one-piece round smooth extruded 8 5/8"OD aluminum tube welded to a cast aluminum base plate. An oversized cast aluminum access door is included. Ground lug located opposite access door.

**Anchor bolts:** four 24"L x 3/4"OD galvanized steel 55ksi min. yield bolts with 3" hook and 3" projection, with two nuts and two washers each and a steel template to install bolts on 11" bolt circle.

**Banner arms:** 1"OD x 18"L aluminum tubing with 2" cast aluminum removable half ball. Banners by others.

**All exposed hardware:** stainless steel

**Finish:** TGIC polyester powder coat

**Color:** custom to match Sherwin Williams #PGS8-7039-T Blairhouse Green

**Date:** July 3, 2008

**Model:** (2) CSH2419-17M-VOLT-H3-CSA-B-24-CSP-66-20-BAB-22-CTM

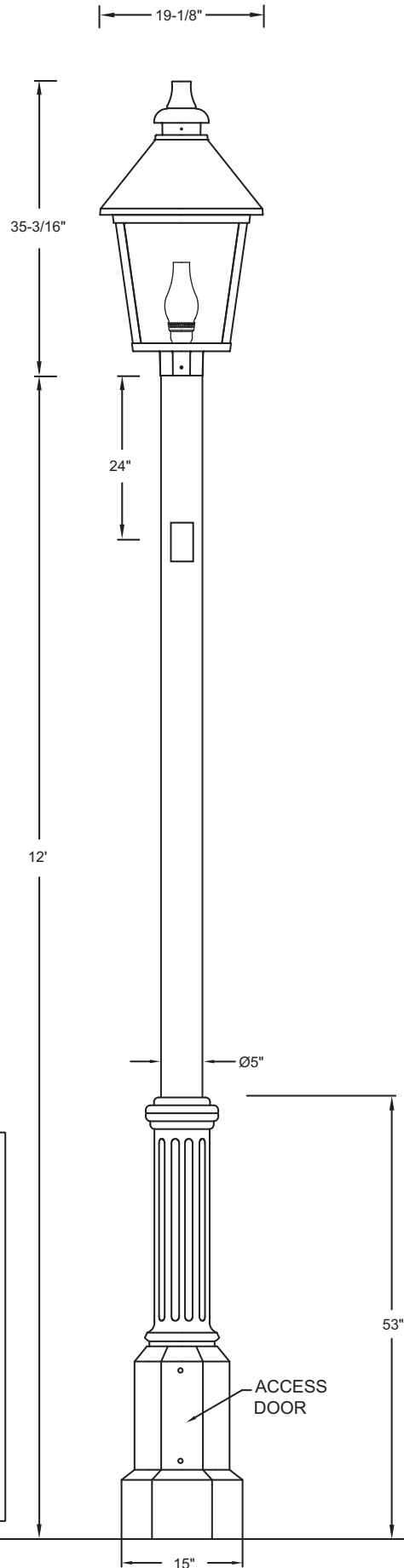
**Sheridan**  
lighting systems, inc.

Sheridan Lighting Systems, Inc.  
4-2525 Dunwin Dr  
Mississauga, ON L5L 1R9

T 905-369-0101 F 905-369-0102  
sales@sheridansys.com www.sheridansys.com

PD81091

CITY OF  
WAYZATA



**Roof:** fabricated aluminum with a cast aluminum finial and one-piece cast aluminum cage

**Fitter:** cast aluminum with integral ballast compartment and octagonal pole adaptor

**Ballast:** HPS high power factor, multi (quad) tap, ANSI S55, with quick disconnects, mounted in the base of the pole.

**NOTE:** pole is to be wired by others.

**Wattage:** 150W      **Voltage:** 120V

**Socket:** mogul      **Lamp:** ED23-1/2 (by others)

**Diffuser:** clear acrylic

**Reflector:** aluminum IES type V, located in the roof of the luminaire

**Chimney:** decorative partially frosted glass chimney with brass holder, with clear A lamp

**Pole:** 5"OD straight smooth aluminum tubing, welded in and over the base. GFI receptacle located 10' above finished grade. Receptacle wired by others.

**Base:** one-piece cast aluminum with access door

**Anchor bolts:** 3/4" x 24"L, 3" hook, 3" projection, with two nuts and two washers each for leveling, installed on 9.19" bolt circle (max. 11-1/4" bolt circle). Anchor bolts and steel templates supplied by Sheridan. Two leveling devices included.

**Finish:** TGIC polyester powder coat

**Color:** black

**Date:** Oct. 9, 2008

**Model:** SH52-CA-15H-1-HR5-GC-SP45-5RS-12-GFI-10-2LVL-BLK

**Sheridan**  
lighting systems, inc.

Sheridan Lighting Systems, Inc.  
4 - 2525 Dunwin Dr  
Mississauga, ON L5L 1R9

T 905-369-0101      F 905-369-0102  
sales@sheridansys.com      www.sheridansys.com

PD92251

### VITRUVIAN PARK Addison, TX

**Luminaire:** 5700 Series by ABS; furnished by others.

**Arm:** bent aluminum extrusion .

**Configuration:** custom, as per drawing

**Shaft:** round 5"OD, 0.188" wall galvanized steel, welded in and over a steel base plate.

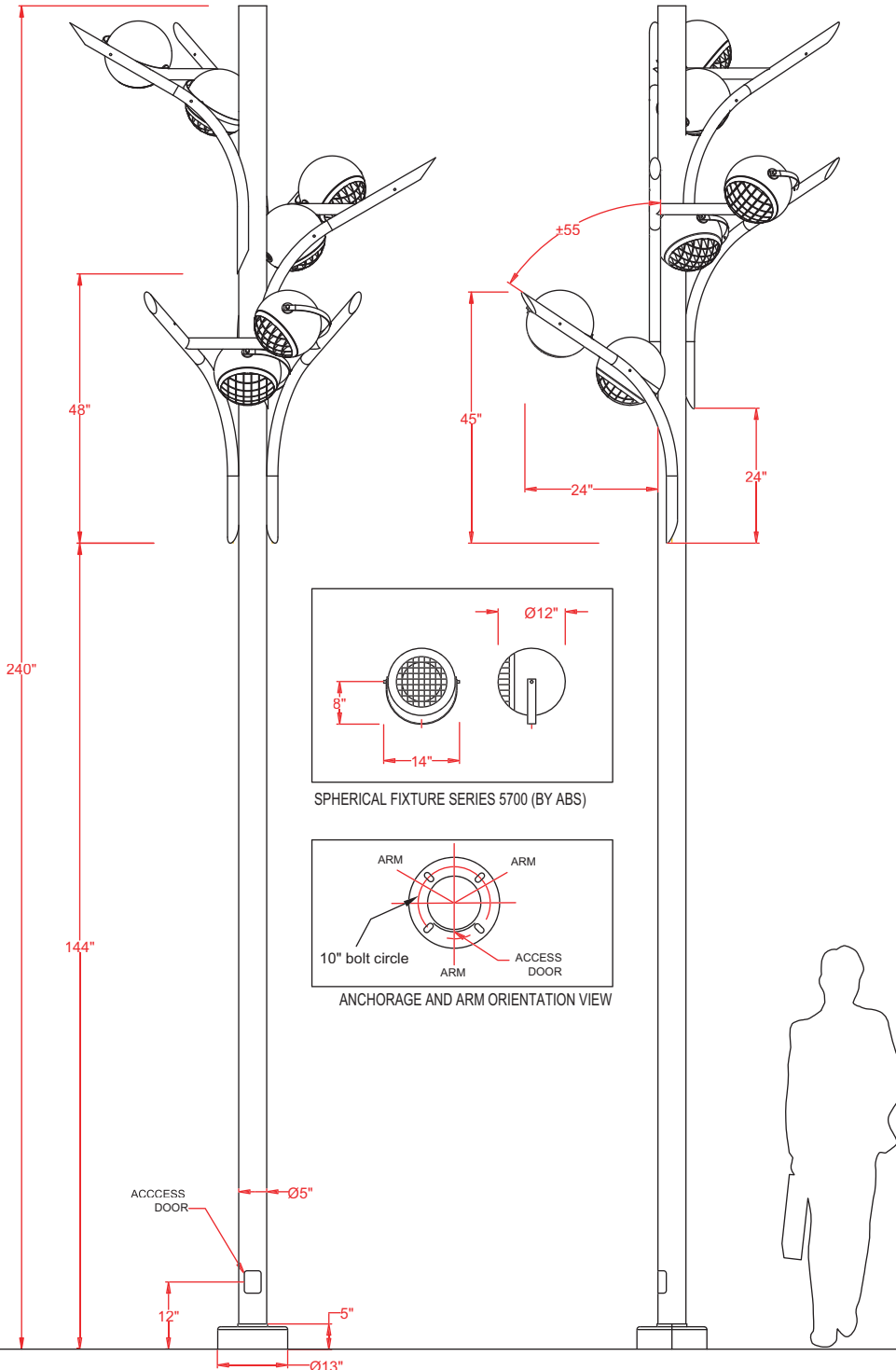
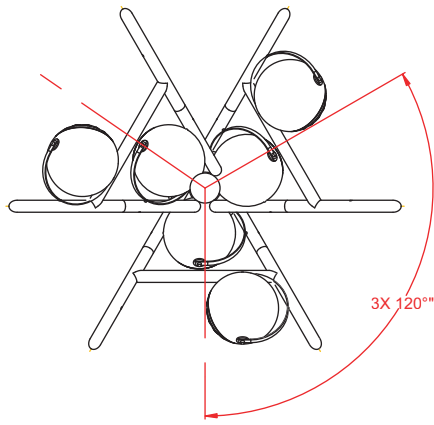
**Base cover:** two-piece cast aluminum, attached to pole with tamper resistant s/s hardware.

**Anchor bolts:** four 36"L x 1"OD galvanized steel 55ksi min. yield bolts with 4" hook and 4" projection, with two nuts and two washers each and a steel template to install bolts on 10" bolt circle.

**All exposed hardware:** stainless steel

**Finish:** TGIC polyester powder coat. Shaft is galvanized prior to coating.

**Color:** TBD



**Date:** Feb. 25, 2009

**Model:** SP25-MOD13-RTC-20-CSA-C-COLOR

**Sheridan**  
lighting systems, inc.

Sheridan Lighting Systems, Inc.  
4-2525 Dunwin Dr  
Mississauga, ON L5L 1R9

T 905-369-0101 F 905-369-0102  
sales@sheridansys.com www.sheridansys.com

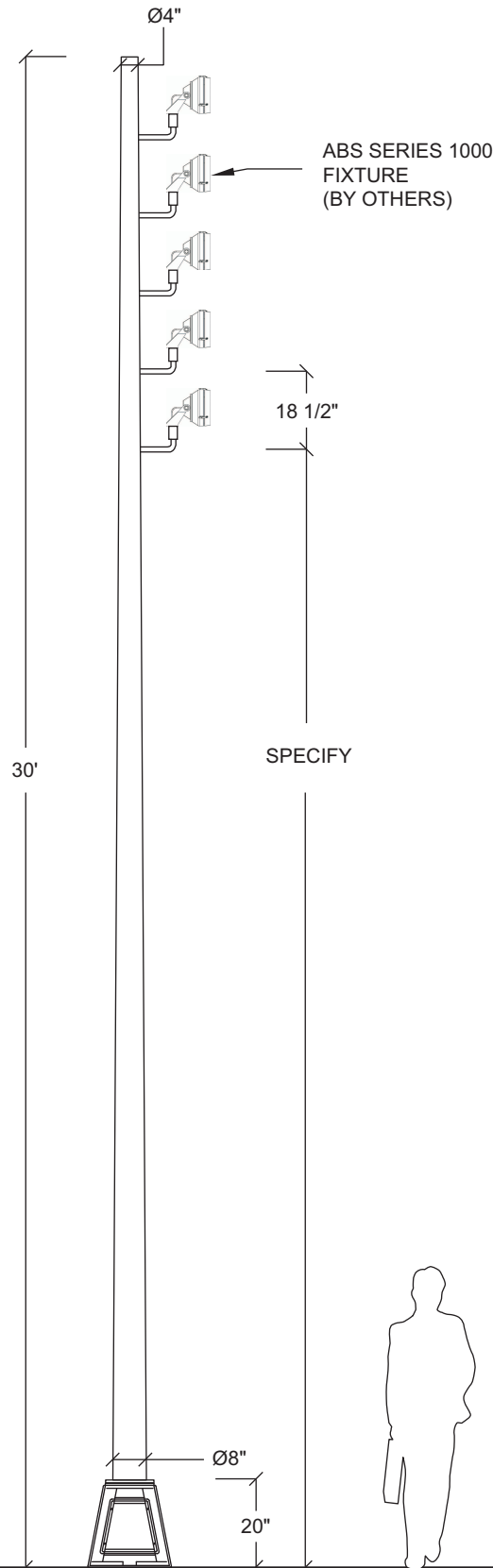
PD9721

OCC A, B, C

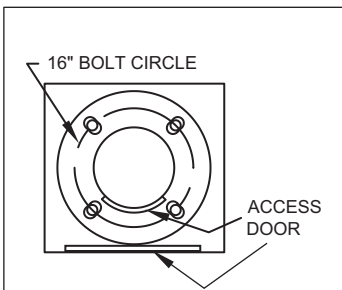
Type S3



ABS SERIES 1000  
FIXTURE (BY OTHERS)



TRANSFORMER BASE  
MOUNTING DETAIL



**30' round tapered steel pole with transformer base.**

**Pole:** 11ga round tapered steel, tapering from 8" at the bottom to 4" at the top. Pole is welded to a steel base plate with 12" bolt circle.

**Bull horns:** five bull horn attachments welded to the shaft. **SPECIFY PLACEMENT.**

**Access door:** access door at 18" to center from bottom of pole; ground lug opposite access door.

**Transformer base:** fabricated steel, mounted on 16" bolt circle.

**Anchorage:** four galvanized steel anchor bolts, 1"OD, 36"L, 4" hook, 4" projection; two nuts and two washers per bolt for leveling; installed on 16" bolt circle with steel template. All hardware included.

**All exposed hardware:** stainless steel

**Finish:** galvanized, with TGIC polyester powder top coat

**Color:** two standard colors available: black (BLK) or bronze (BRZ). Other colors available upon request.

**Date:** July 2, 2009

**Model:** RTS30-11-BH5-TB-COLOR

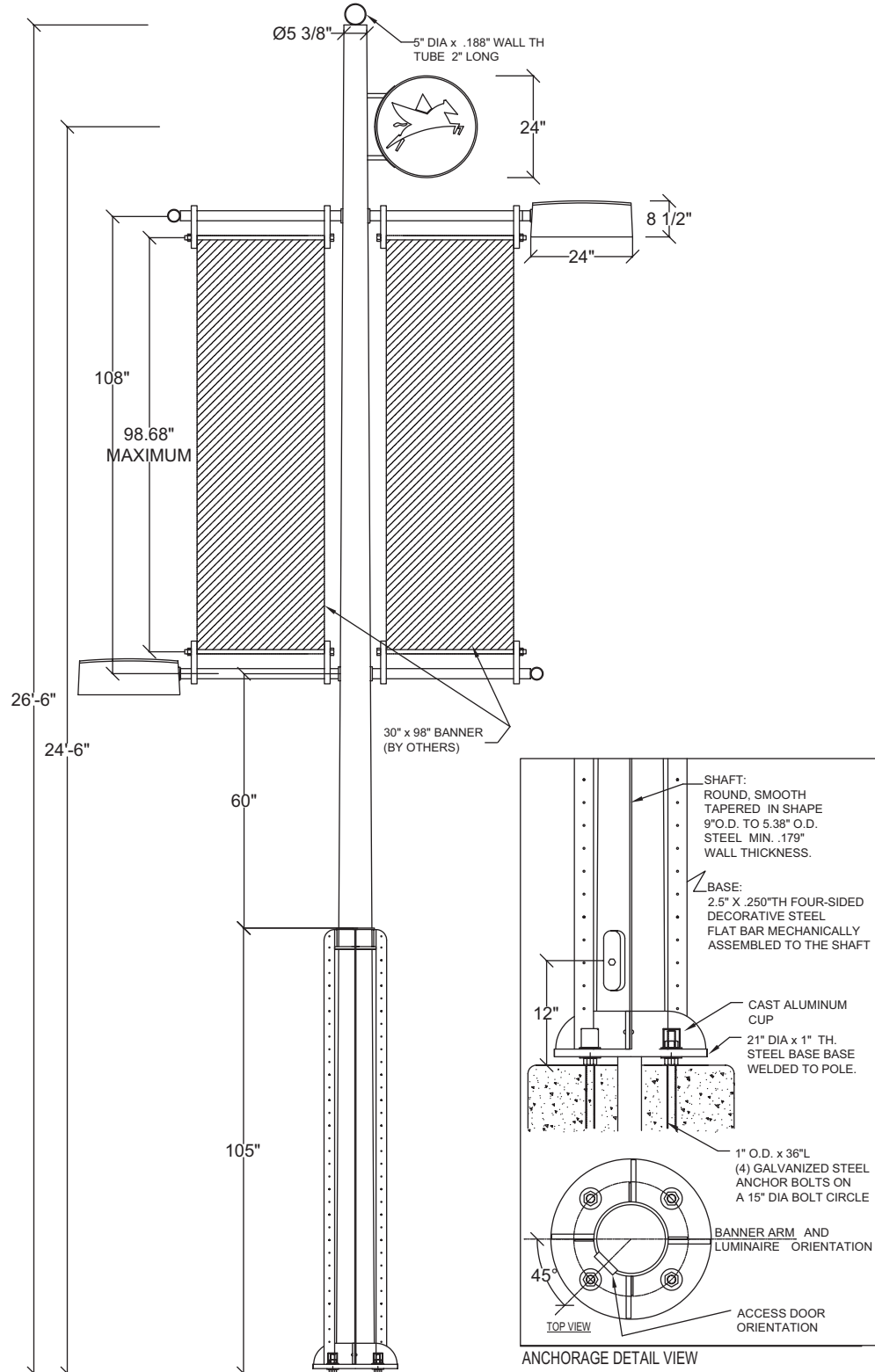
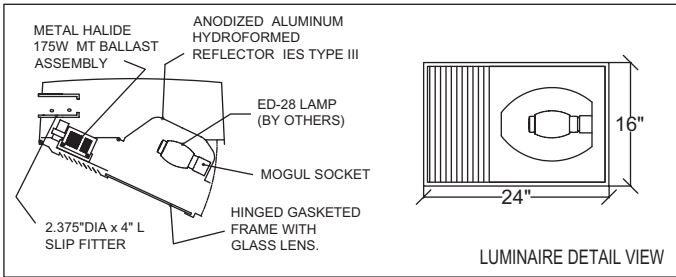
**Sheridan**  
lighting systems, inc.

Sheridan Lighting Systems, Inc.  
4-2525 Dunwin Dr  
Mississauga, ON L5L 1R9

T 905-369-0101 F 905-369-0102  
sales@sheridansys.com www.sheridansys.com

PD703131

MAIN ST, DALLAS, TX



**Luminaire:** heavy wall cast aluminum body.

**Ballast:** MH high power factor, multi (quad) tap, with tool-less access and quick disconnects, mounted on a removable plate.

**Wattage:** 175W **Voltage:** ADVISE

**Socket:** mogul

**Lamp:** ED28 (by others)

**Reflector:** multifaceted bright anodized aluminum.

**IES Distribution:** type III

**Diffuser:** hinged, clear tempered glass, with tool-less access to lamp.

**Listing:** per UL 1598 "suitable for wet locations"

**Arm / banner arm:** 2-3/8" OD steel tubing with provisions for banner attachment

**Configuration:** twin

**Medallion:** aluminum sheet with painted pegasus element, mounted to the pole shaft

**Pole:** round smooth tapered steel shaft, 0.179" wall, with access door, welded to 1" x 21" OD steel base plate. Pole is topped with 2"L x 5"OD x 0.188" decorative element.

**Decorative element:** four 2.5" x 0.250" TH perforated steel flat bar, mechanically assembled to the pole

**Anchor bolts:** four 1"OD, galvanized steel anchor bolts, with 3" hook, 4" projection, installed on 15" bolt circle, with two nuts and two washers per bolt for leveling. Anchor bolts and templates included.

**Finish:** TGIC polyester powder coat

**Color:** to match Pantone PMS 405 Gray

**Date:** Mar. 13, 2007

**Model:** (2)CSH-CG-17M-MT-HR3-CA-B-BAB10X2-MOD-CP-95RTC-266-MED-GRY-CTM

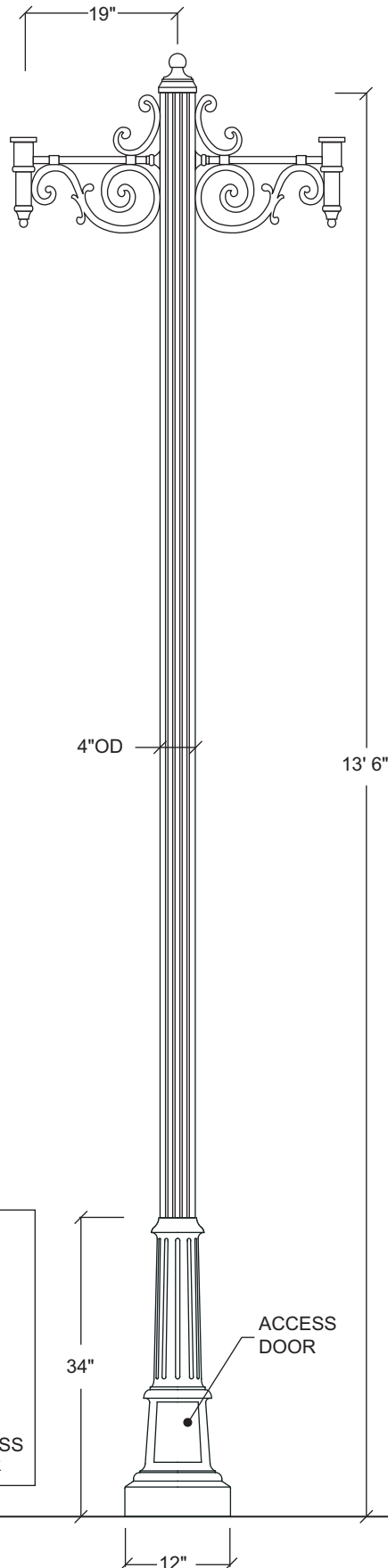
**Sheridan**  
lighting systems, inc.

Sheridan Lighting Systems, Inc.  
3500 Glen Erin Dr, Unit 44  
Mississauga, ON L5L 1W6

T 905-369-0101 F 905-369-0102  
sales@sheridansys.com www.sheridansys.com

PD95142

INDOT R-31780-A



**13' 6" DECORATIVE POLE WITH BRACKETS**

**Shaft:** 4"OD x 0.226" thick fluted extruded aluminum, with 12 flat flutes, welded in and over the cast aluminum base

**Base:** one-piece cast aluminum with oversized cast aluminum access door and integral base plate.

**Access door:** oversized cast aluminum access door for ease of anchoring, secured with tamper resistant s/s hardware. Provision for ground lug opposite access door.

**Anchor bolts:** four 24"L x 3/4"OD galvanized steel 55ksi min. yield bolts with 3" hook and 3" projection, with two nuts and two washers each and a steel template to install bolts on 8 1/2" bolt circle. Bolts, nuts, washers and templates included.

**Arm:** cast aluminum, bolted to the pole; advise mounting height. Arms ship separately, to be installed by contractor.

**All exposed hardware:** stainless steel

**Finish:** TGIC polyester powder coat

**Color:** standard smooth semi-gloss black

**Shipping:** ships bundled, wrapped in cardboard and shrink wrapped

**Date:** May 14, 2009

**Model:** SP30MOD-FS-136-CSA-B-BLK

**Sheridan**  
lighting systems, inc.

Sheridan Lighting Systems, Inc.  
4-2525 Dunwin Dr  
Mississauga, ON L5L 1R9

T 905-369-0101 F 905-369-0102  
sales@sheridansys.com www.sheridansys.com

PD95141.1

INDOT R-31780-A

**12' DECORATIVE POLE**

**Shaft:** 4"OD x 0.226" thick fluted extruded aluminum, with 12 flat flutes, welded in and over the cast aluminum base

**Tenon:** 3"H x 3"OD

**Base:** one-piece cast aluminum with oversized cast aluminum access door and integral base plate.

**Access door:** oversized cast aluminum access door for ease of anchoring, secured with tamper resistant s/s hardware. Provision for ground lug opposite access door.

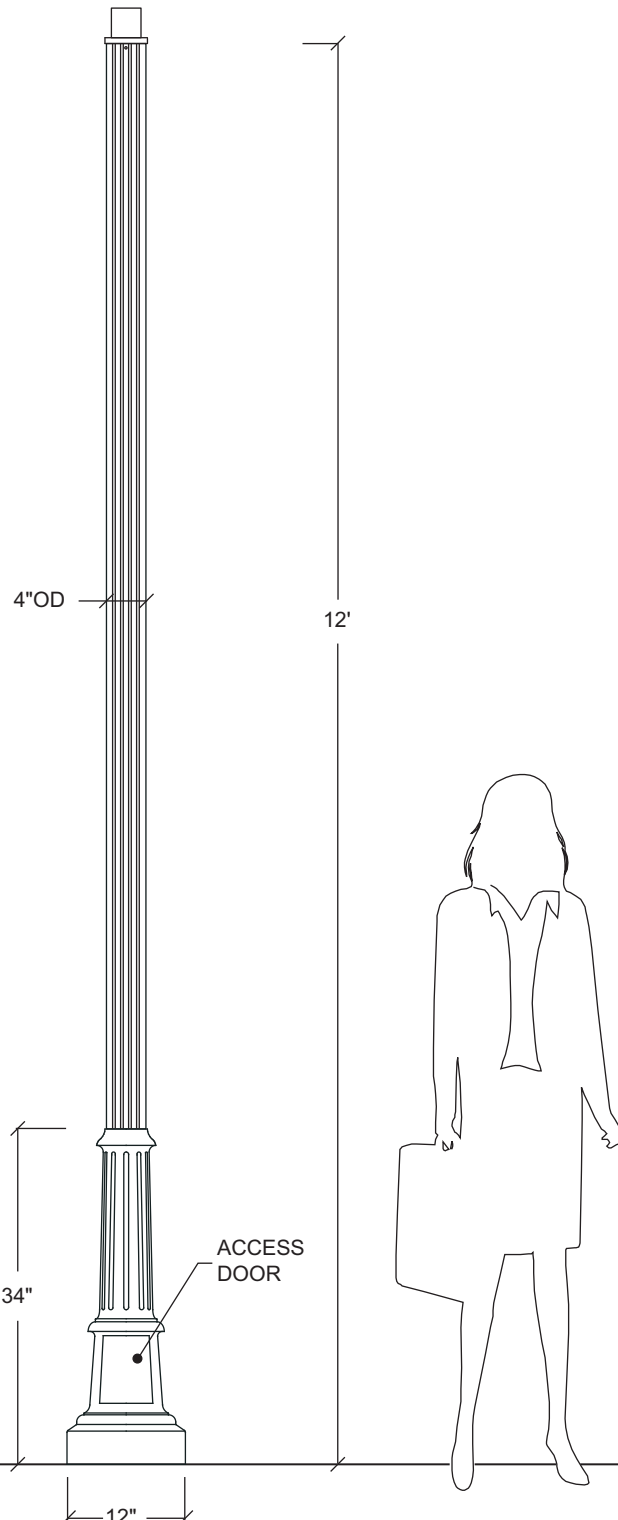
**Anchor bolts:** four 24"L x 3/4"OD galvanized steel 55ksi min. yield bolts with 3" hook and 3" projection, with two nuts and two washers each and a steel template to install bolts on 8 1/2" bolt circle. Bolts, nuts, washers and templates included.

**All exposed hardware:** stainless steel

**Finish:** TGIC polyester powder coat

**Color:** standard smooth semi-gloss black

**Shipping:** ships bundled, wrapped in cardboard and shrink wrapped



**Date:** May 21, 2009

**Model:** SP30MOD-FS-12-BLK

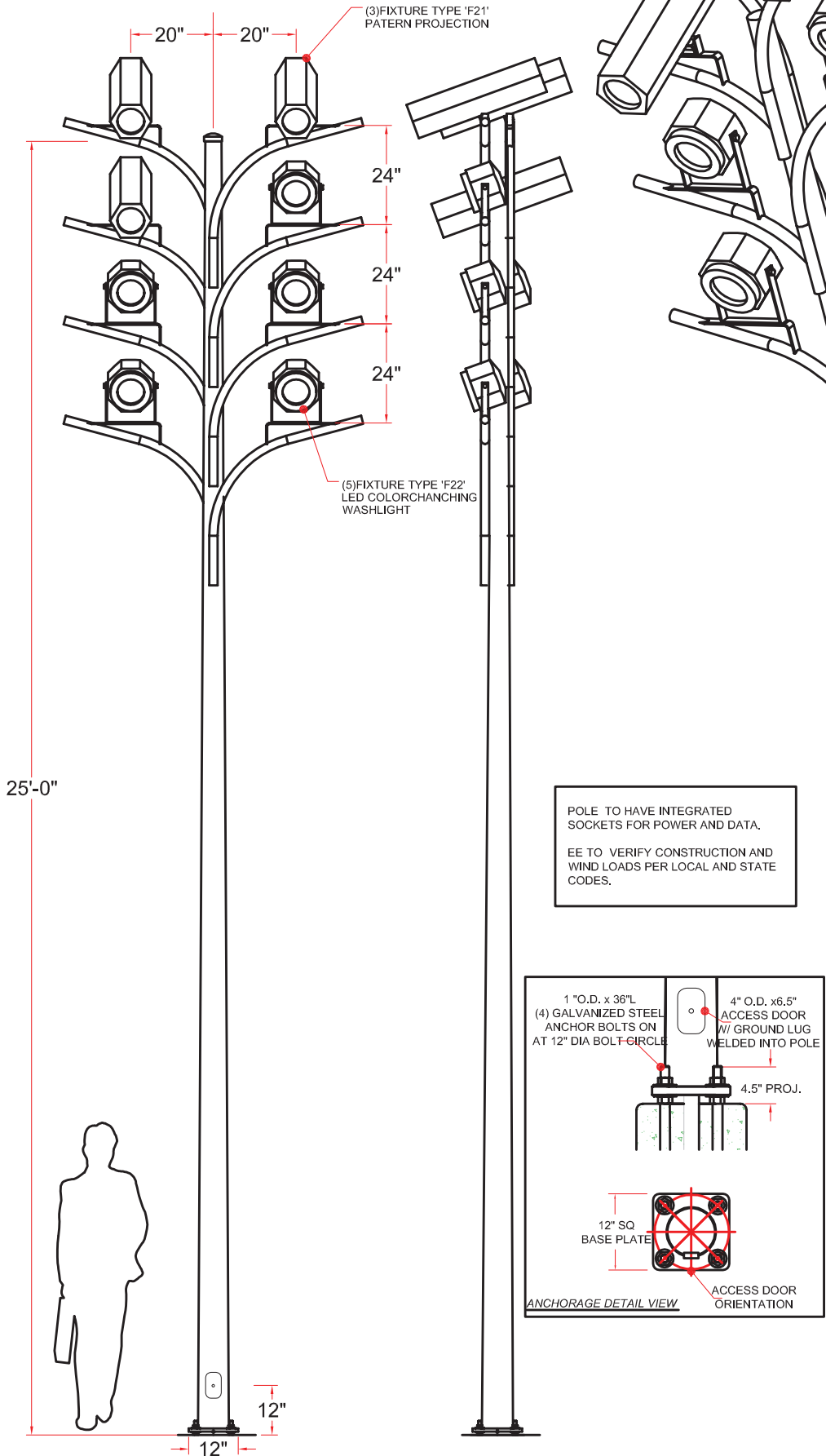
**Sheridan**  
lighting systems, inc.

Sheridan Lighting Systems, Inc.  
4-2525 Dunwin Dr  
Mississauga, ON L5L 1R9

T 905-369-0101 F 905-369-0102  
sales@sheridansys.com www.sheridansys.com

**PD99171.1**

**KISSIMMEE LAKEFRONT PARK  
SPLASH PAD LIGHT POLES**



**Luminaire:** Type 21 and Type 22 (by others)

**Arm:** bent aluminum extrusion. Arms are bolted to the pole opposite each other. Provision for DMX outlet included.

**Configuration:** custom as per drawings

**Pole:** galvanized, 11-gauge (.1196") steel shaft, tapering from 8" dia at the base to 4" dia at the top, welded in and over a steel base plate.

**Anchor bolts:** four 36"L x 1" O.D. galvanized 55ksi min. yield bolts with 4" hook and projection, with two nuts and two washers each and steel template to install bolts on 12" bolt circle.

**All exposed hardware:** stainless steel

**Finish:** TGIC polyester powder coat

**Color:** five standard colors to choose from: black (BLK), bronze (BRZ), green (GRN), grey (GRY) and white (WHT). Other colors extra.

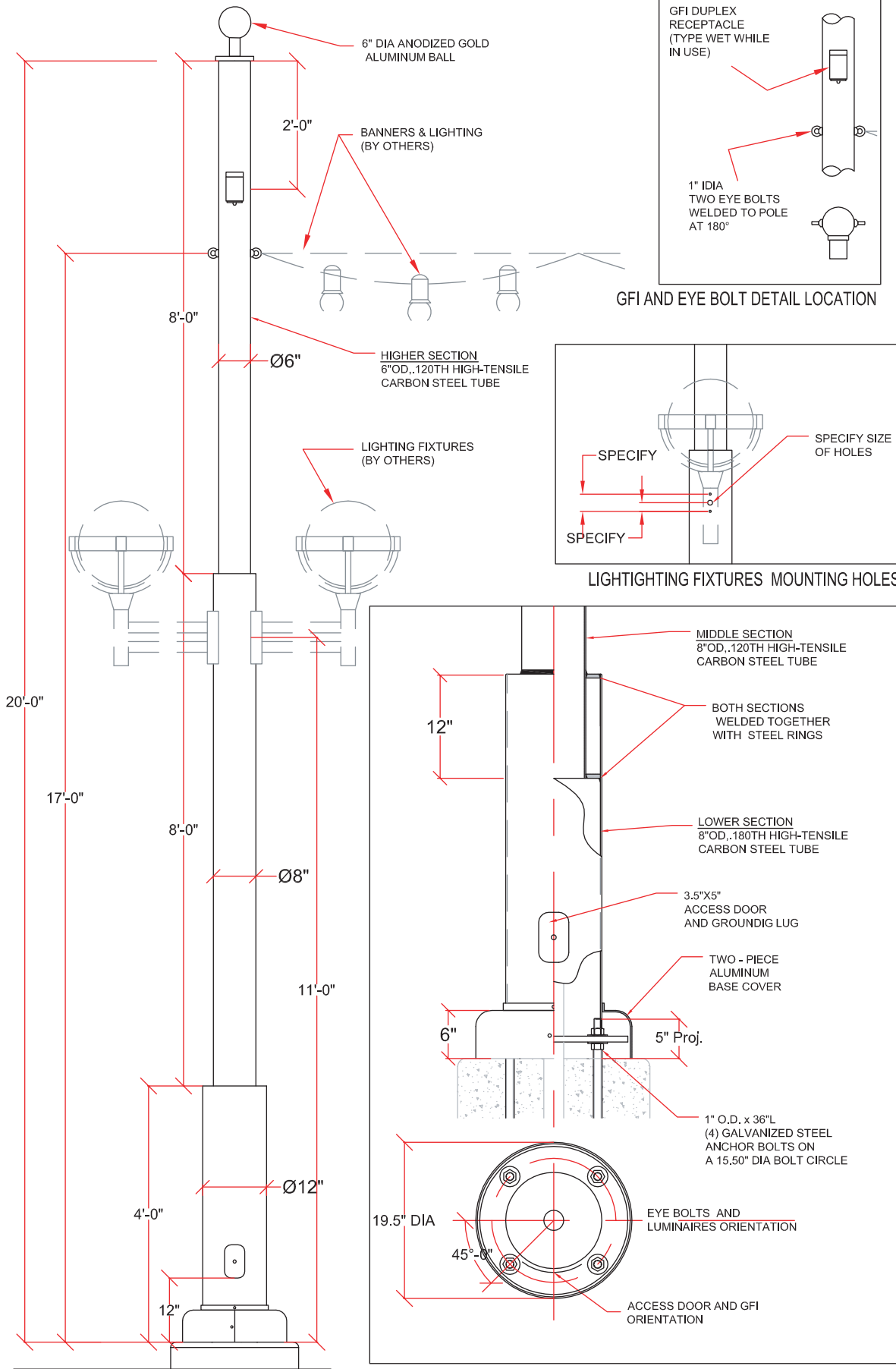
**Date:** Se.22, 2009  
**Model:** RTS-25-84-CA-8-COLOR



Sheridan Lighting Systems, Inc.  
4-2525 Dunwin Dr  
Mississauga, ON L5L 1R9

T 905-369-0101 F 905-369-0102  
sales@sheridansys.com www.sheridansys.com





**CITY OF  
ANN ARBOR**

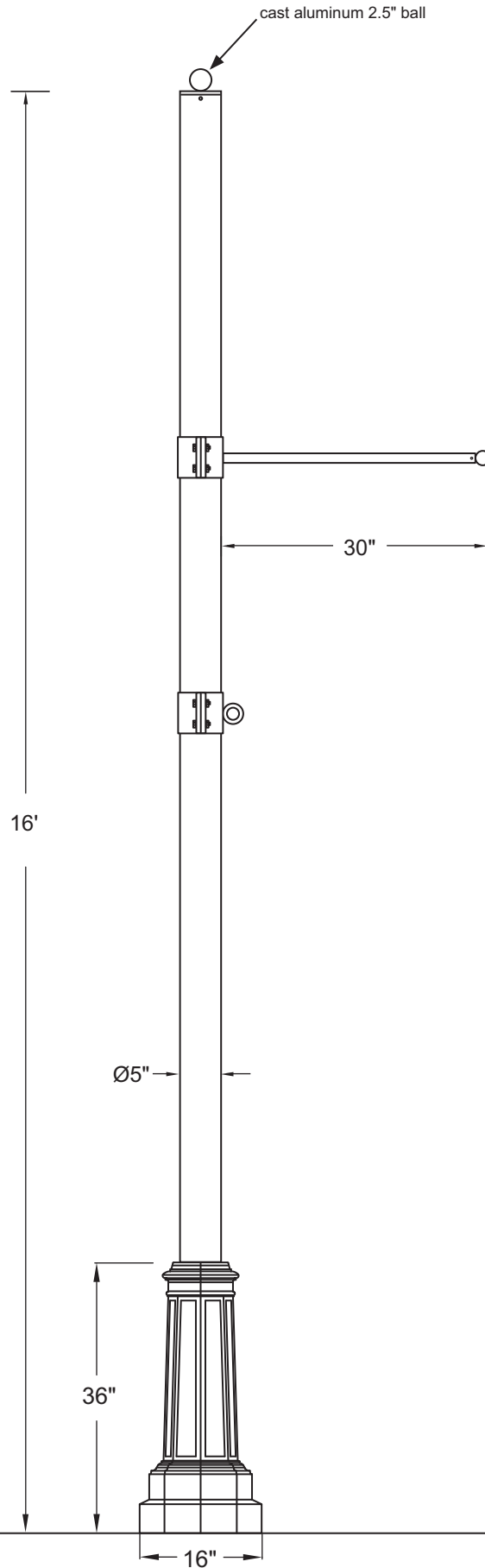
Date: December 1, 2008  
 Model: CSP25-1286-RSC-20-EB2-WGFI-COLOR  
**PD81211**

Sheridan Lighting Systems, Inc.  
 4-2525 Dunwin Dr  
 Mississauga, ON L5L 1R9  
 T 905-369-0101 sales@sheridansys.com  
 F 905-369-0102 www.sheridansys.com



PD8417

CITY OF  
ST. PETERS



**Finial:** cast aluminum 2.5"OD ball

**Clamp-on banner arm:** 1"OD x 30"L steel tubing, with a cast aluminum removable 2"OD ball and a clamp-on steel hog ring (1"ID). Location and orientation of banner arms and hog rings is adjustable as desired. Banners by others.

**Pole:** 5"OD extruded smooth aluminum tubing, 0.25" wall thickness, welded in and over a cast aluminum base plate.

**Mounting:** four 3/4"OD x 24"L steel anchor bolts, with two nuts and two washers per bolt for leveling, 3" hook, 3" projection, installed on 12" bolt circle. Anchor bolts, hardware and steel templates supplied by Sheridan.

**Base cover:** two-piece cast aluminum clamp on octagonal base cover, formed true to pattern, with no warping or mold shifting; secured to the shaft with tamper-resistant hardware. Base covers ship separately, to be installed on site by contractor.

**Finish:** TGIC polyester powder coat

**Color:** black sandtex

**Date:** Apr. 17, 2008

**Drawing:** PD8417

**Model:** CP1636-5RSA-16-BL25-BAC1H-BLK

**Sheridan**  
lighting systems, inc.

Sheridan Lighting Systems, Inc.  
4-2525 Dunwin Dr  
Mississauga, ON L5L 1R9

T 905-369-0101 F 905-369-0102  
sales@sheridansys.com www.sheridansys.com

**PD812101**

3"H x 4"OD  
TENON

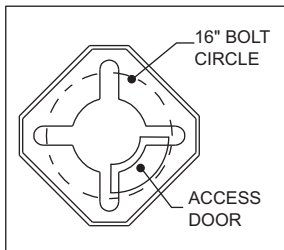
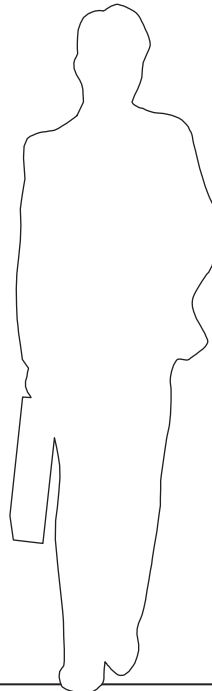
14'

ACCESS  
DOOR

16" BOLT  
CIRCLE

ACCESS  
DOOR

20" OCT.



## CAST ALUMINUM POLE

**Pole:** 14' overall height, one-piece cast aluminum unit with a 20" (flat-to-flat) octagonal base with an integral base plate, decorative elements and a tapered, octagonal shaft.

**Tenon:** integral, 3"H x 4"OD; other sizes available upon request

**Access door:** oversized cast aluminum access door for ease of anchoring, secured with tamper resistant s/s hardware. Ground lug located opposite access door.

**Anchor bolts:** four 24"L x 3/4"OD galvanized steel 55ksi min. yield bolts with 3" hook and 3" projection, with two nuts and two washers each and a steel template to install bolts on 16" bolt circle. Bolts, nuts, washers and templates included.

**All exposed hardware:** stainless steel

**Finish:** TGIC polyester powder coat

**Color:** four standard colors available: black, green, bronze, grey and white. Other colors available upon request.

**Shipping:** ships loose, wrapped in cardboard and shrink wrapped.

**Date:** Dec. 10, 2008

**Model:** CSP-1420-COLOR

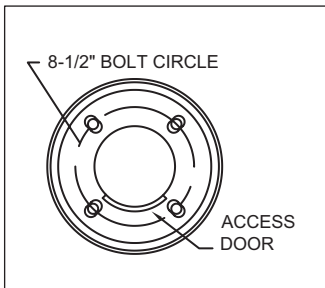
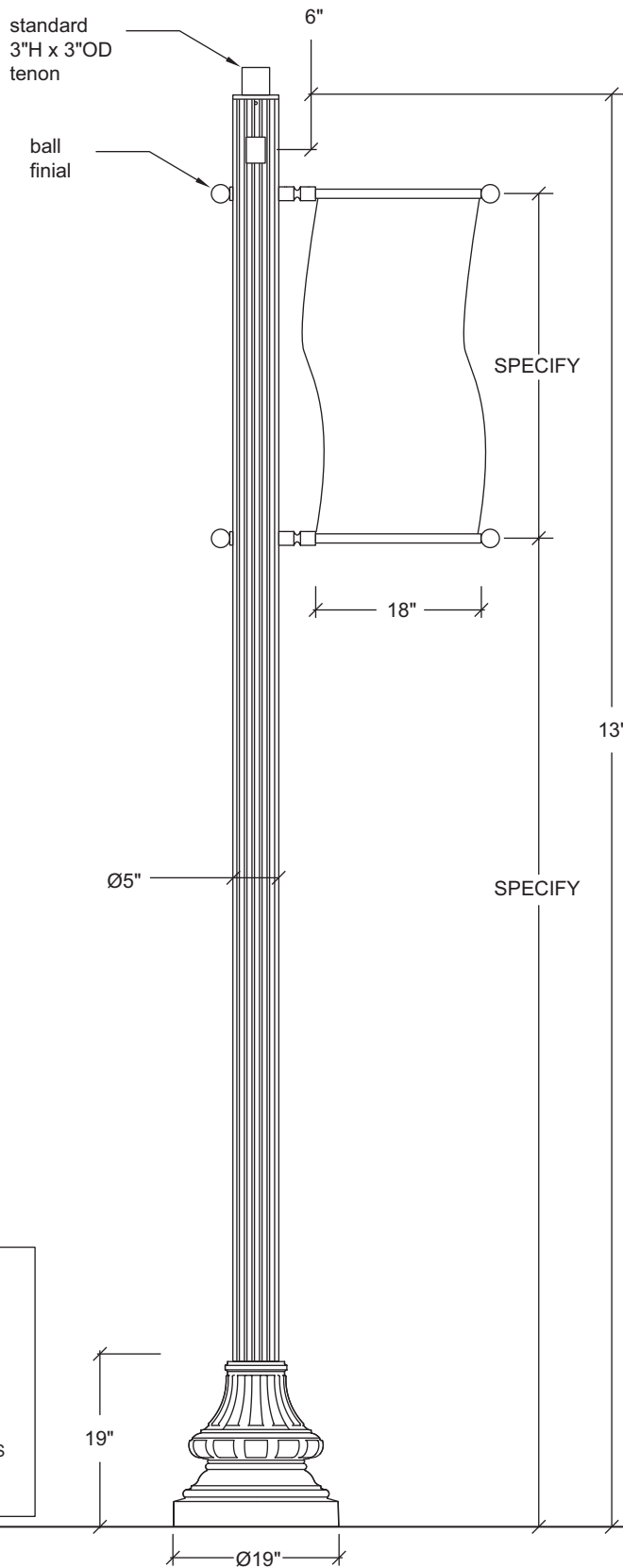
**Sheridan**  
lighting systems, inc.

Sheridan Lighting Systems, Inc.  
4-2525 Dunwin Dr  
Mississauga, ON L5L 1R9

T 905-369-0101 F 905-369-0102  
sales@sheridansys.com www.sheridansys.com

PD92131

EPA of pole:  
16.07 @ 80 mph  
12.86 @ 90 mph  
10.46 @ 100 mph



CITY OF JACKSON, MO

13' decorative "Washington" pole.

**Base:** one-piece cast aluminum 19"OD x 19"H decorative base with integral base plate.

**Access door:** cast aluminum access door secured with stainless steel tamper-resistant hardware; ground lug opposite access door.

**Shaft:** 5"OD x 0.226" thick fluted extruded aluminum, with 12 flat flutes, welded in and over the base; 12' overall height, including the base

**GFI:** wet-while-in-use GFI receptacle located 6" to center from top of pole; to be wired by others.

**Add'l provisions:** shaft is pre-drilled in four places for banner arms and/or flower baskets. Plugs conceal holes, if not in use.

**Anchorage:** four galvanized steel anchor bolts, 3/4"OD, 24"L, 3" hook, 3" projection; two nuts and two washers per bolt for leveling; installed on 8-1/2" bolt circle with steel template. All hardware included.

**Banner arms:** 18"L x 1"OD aluminum banner arm, with aluminum break away couplings and cast aluminum 2"OD round removable finials. Couplings are threaded onto threaded rod and then capped off on the other side by a removable ball finial. Banners by others.

**All exposed hardware:** stainless steel

**Finish:** TGIC polyester powder coat

**Color:** four standard colors available: black, green, bronze, grey and white. Other colors available upon request.

**Shipping:** ships loose, wrapped in cardboard and shrink wrapped.

**Date:** Feb. 13, 2009

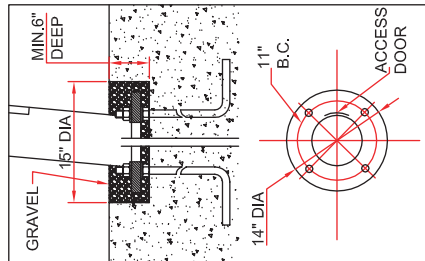
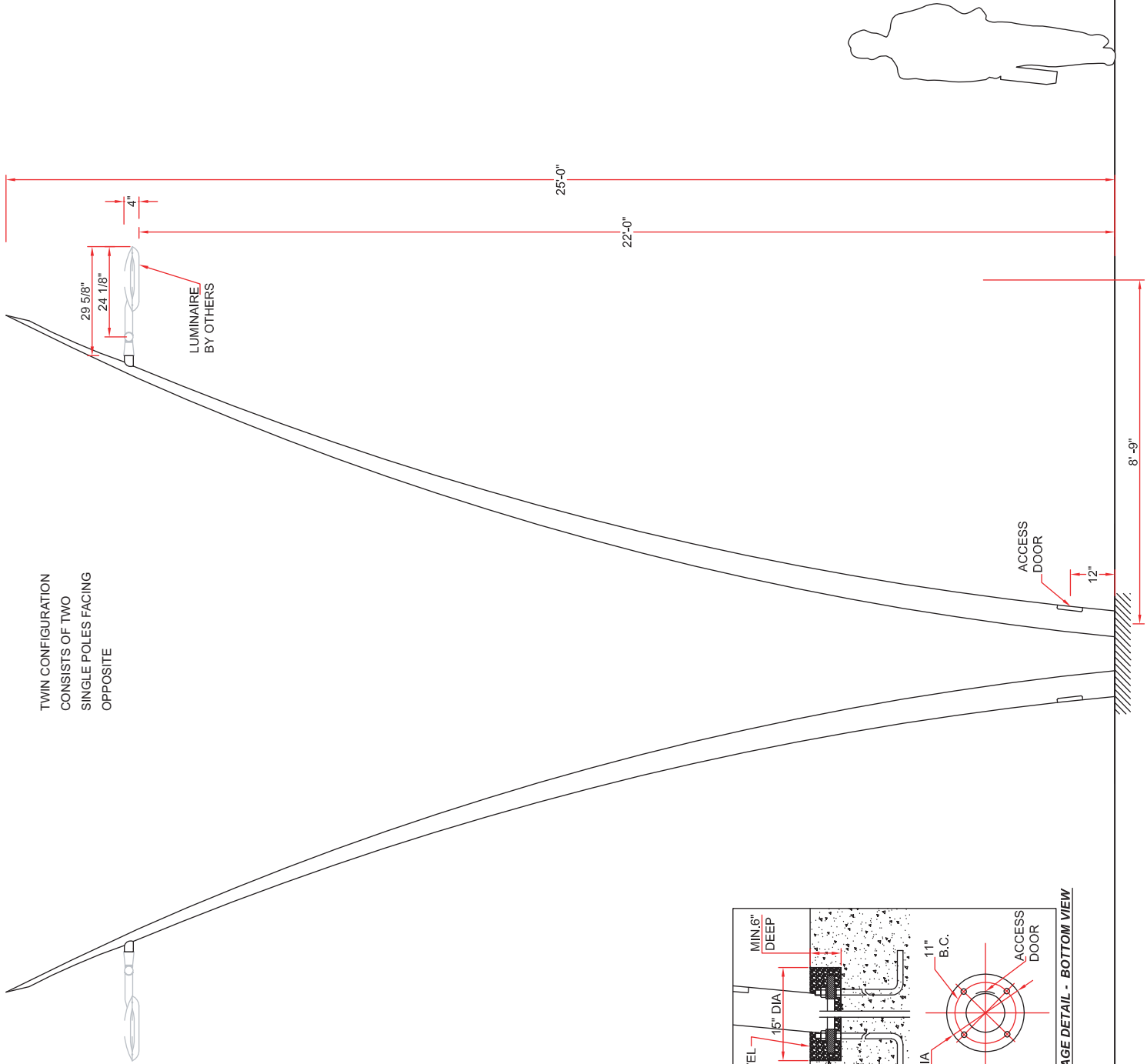
**Model:** SP01-A-5-FTA-13-A-WGFI-BAW-11-COLOR



Sheridan Lighting Systems, Inc.  
4-2525 Dunwin Dr  
Mississauga, ON L5L 1R9

T 905-369-0101 F 905-369-0102  
sales@sheridansys.com www.sheridansys.com

TWIN CONFIGURATION  
CONSISTS OF TWO  
SINGLE POLES FACING  
OPPOSITE



**LEANING POLE**

Twin

**Luminaire:** by others.

**Arm:** 2" sch 40 aluminum pipe (2 3/8"OD), welded to the pole shaft.

**Pole:** curved round tapered aluminum tubing with 0.188" wall thickness, welded in and over a cast aluminum base plate. Pole tapers at a rate of 0.14"/ft from 7" at the bottom to 2 3/8" at the top. Pole is then topped with a secondary section to form a needle spike. A 3" x 5" hand hole with a cast aluminum access door is provided at 12" to center from finished grade.

**Base plate:** one-piece cast aluminum

**Base cover:** none

**Anchor bolts:** four 1" x 36"L galvanized 55ksi yield steel, with 4" hook, 4" projection, with two nuts and two washers per bolt for leveling, installed on 11" bolt circle. Anchor bolts and steel templates supplied by Sheridan.

**Finish:** TGIC polyester powder coat

**Color:** color by architect. Five standard colors to choose from: black, green, bronze, white and grey. Other colors available upon request.

**Date:** Mar. 10, 2009

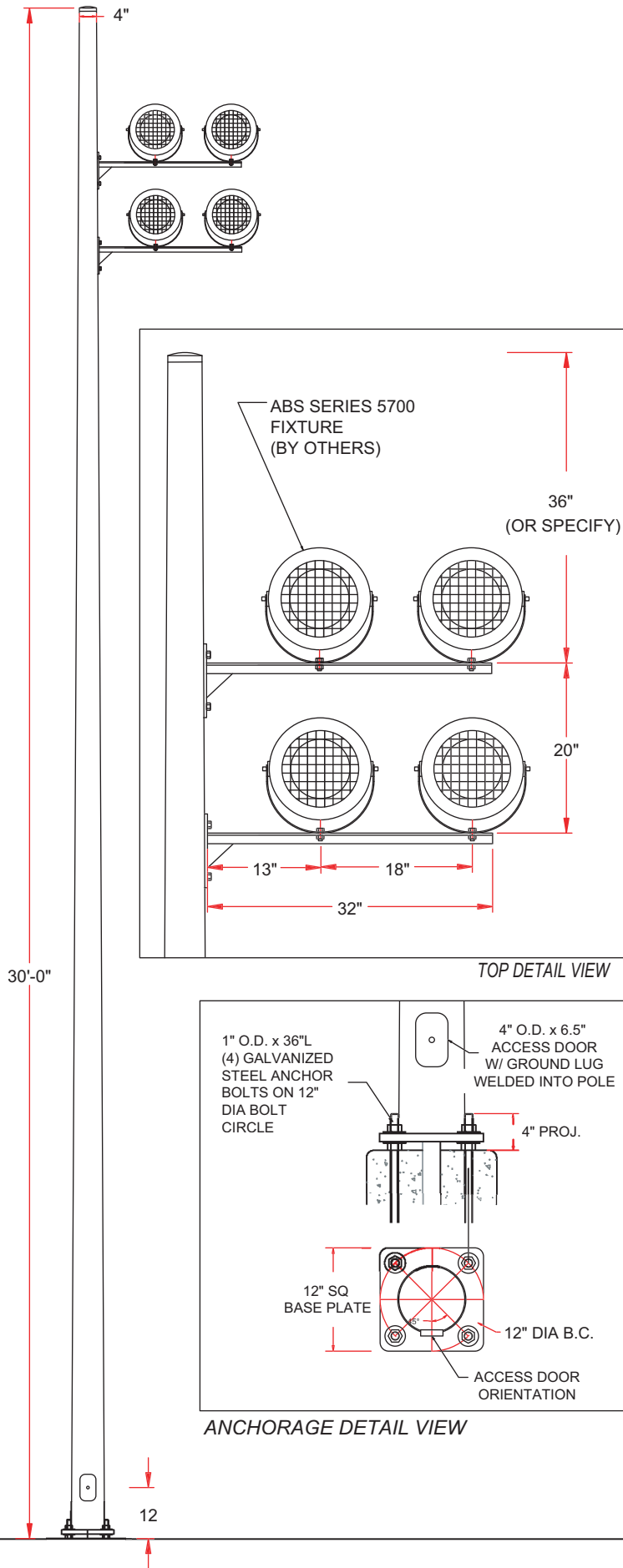
**Model:** CSP71-RTCA-25-CSA-A-CBA



Sheridan Lighting Systems, Inc.  
4 - 2525 Dunwin Dr  
Mississauga, ON L5L 1R9

T 905-369-0101 F 905-369-0102  
sales@sheridansys.com www.sheridansys.com

PD98284



**DISNEYLAND HOTEL**

**30' tapered steel pole, with two bull horns**

**Pole:** 11ga round tapered steel, tapering from 8" at the bottom to 4" at the top. Pole is welded to a steel base plate

**Anchorage:** four galvanized steel anchor bolts, 1"OD, 36"L, 4" hook, 4" projection; two nuts and two washers per bolt for leveling; installed on 12" bolt circle with steel template. All hardware included.

**Bull horns:** provision for mounting two ABS Series 5700 luminaires on each bull horn. (luminaires by others). **Please specify spacing from top of pole, between arms and orientation in relation to the access door.**

**Finish:** smooth semi-gloss TGIC polyester powder coat.

**Color:** choice of five standard colors: black (BLK), green (GRN), white (WHT), bronze (BRZ) or grey (GRY). Other colors extra.



**ABS SERIES 5700  
SMALL PRECISION FLOOD  
(BY OTHERS)**

**Date:** Aug. 28, 2009

**Model:** RTS-30-2BH-2-COLOR

**Sheridan**  
lighting systems, inc.

Sheridan Lighting Systems, Inc.  
4-2525 Dunwin Dr  
Mississauga, ON L5L 1R9

T 905-369-0101 F 905-369-0102  
sales@sheridansys.com www.sheridansys.com

PD9491

**FRANK GEHRY OFFICE**

**Luminaire body:** heavy wall spun aluminum

**Cable hanger:** galvanized steel

**Cable:** 3/16" aircraft cable with attachments to the wall (two attachments per luminaire)

**Optics:** bright anodized reflector IES type V with full cutoff

**Ballast:** high power factor, MH, ANSI M98, CWA, multi-tap, with tool-less access and quick disconnects, mounted on a removable plate.

**Wattage:** 70W

**Wired voltage:** PLEASE ADVISE

**Socket:** medium porcelain, 4KV pulse-rated

**Lamp:** one PAR30 (by others)

**Listing:** per UL 1598 "suitable for wet locations".

**Finish:** TGIC polyester powder coat

**Color:** color by architect. Five standard colors to choose from: black, green, bronze, white and grey. Other colors available upon request.

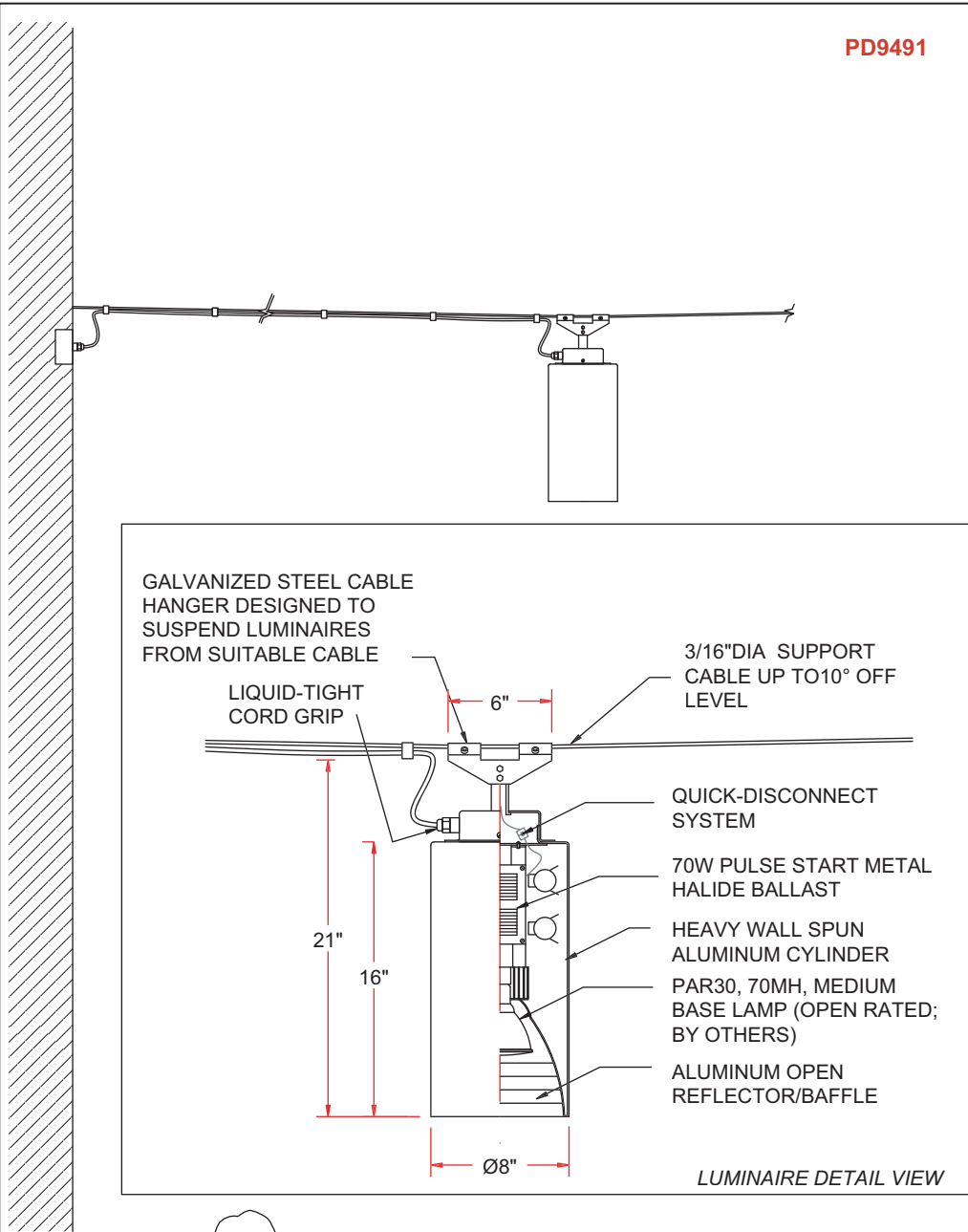
**Date:** Apr. 6, 2009

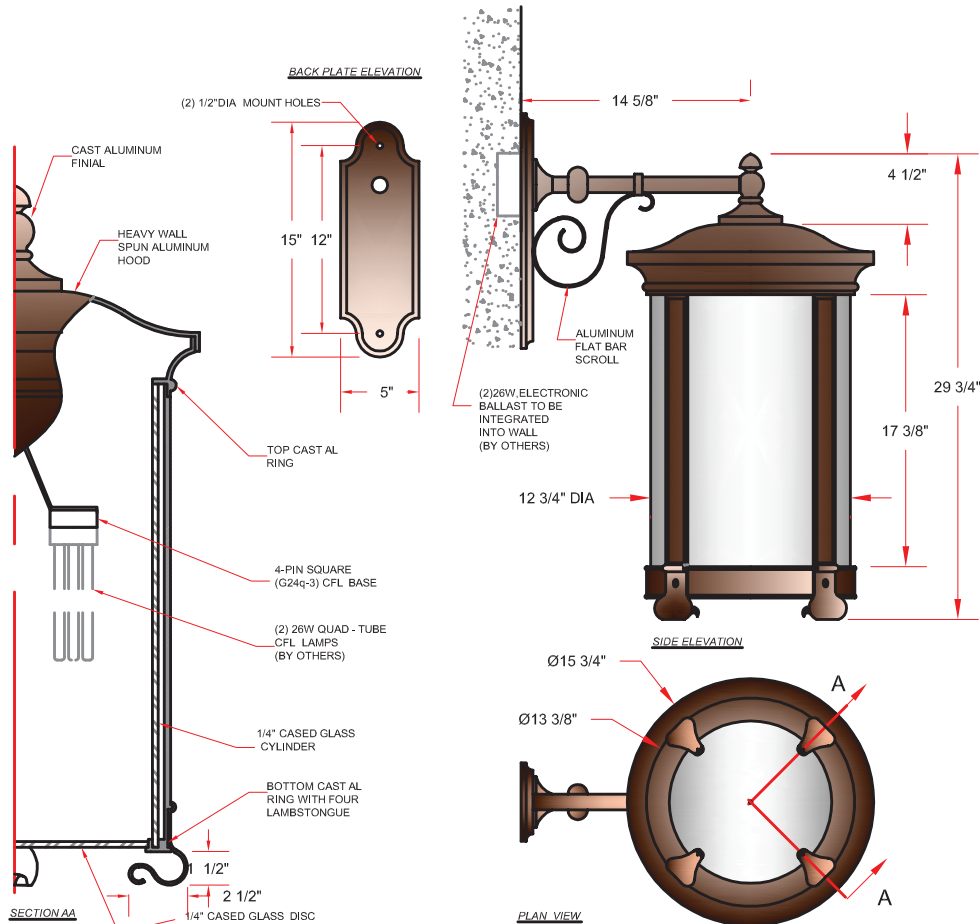
**Model:** CSH168-7M-VOLT-HR5-CBL-COLOR

**Sheridan**  
lighting systems, inc.

Sheridan Lighting Systems, Inc.  
4 - 2525 Dunwin Dr  
Mississauga, ON L5L 1R9

T 905-369-0101 F 905-369-0102  
sales@sheridansys.com www.sheridansys.com





**TYPE 2**

**Luminaire:**  
cast aluminum

**Ballast:**  
(2) 120/277V electronic ballasts to be integrated into wall cavity beyond back plate (by others).

**Wattage:**  
2 x 26W

**Socket:**  
G24q-3 Base

**Lamp:**  
(2) Compact Fluorescent 26W Quad-Tube lamps, 3500K (by others)

**IES Distribution:**  
n/a

**Diffuser:**  
1/4" thick cased glass cylinder.

**Listing:**  
per UL "1598" suitable for wet locations.

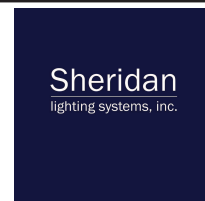
**Finish:**  
smooth semi-gloss TGIC polyester powder coat

**Color:**  
Custom color

**F&M COLLEGE  
LANCASTER, PA**

**Date:**  
Sep. 21, 2009

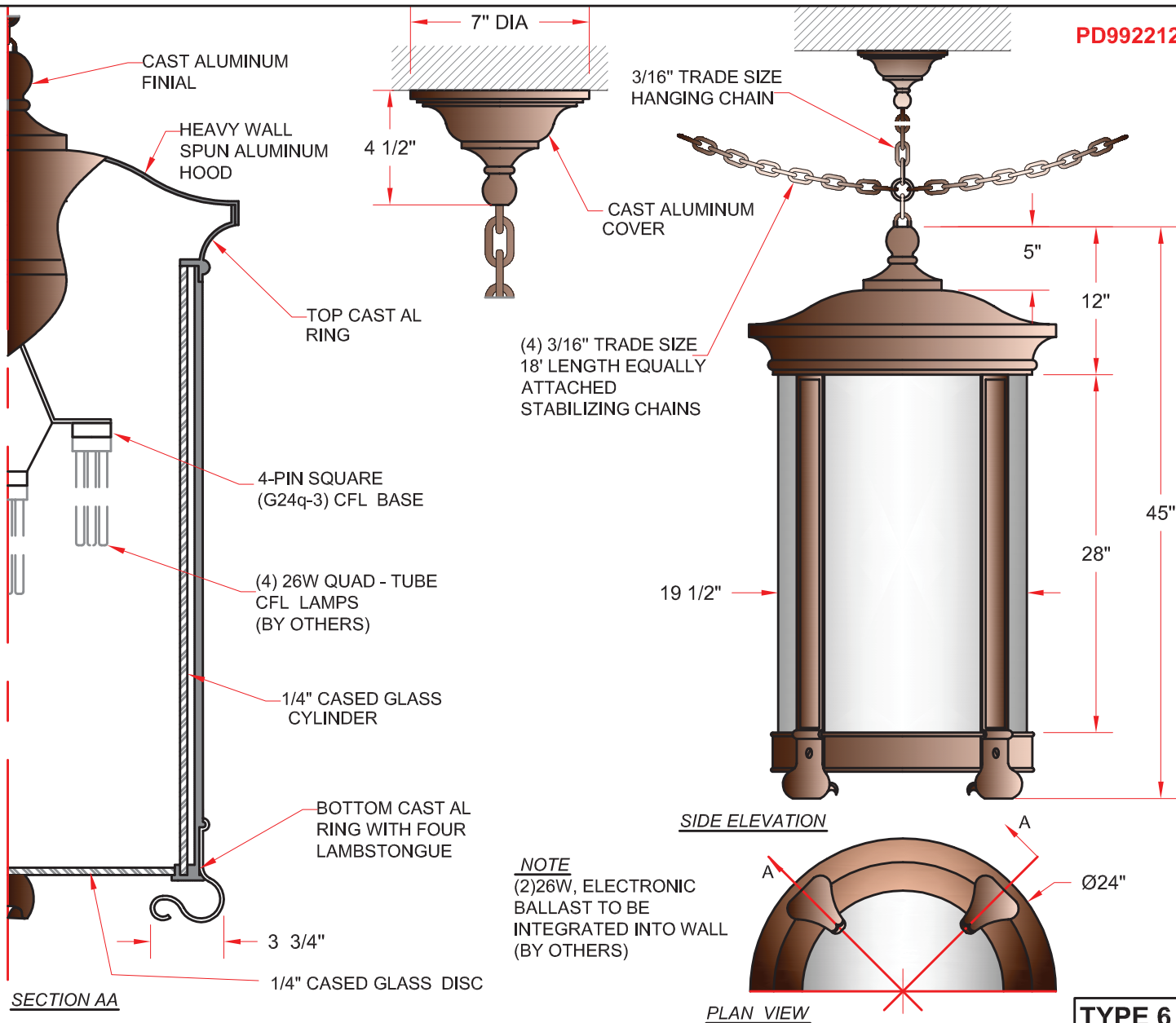
**Model:**  
CSH1630-CG-226CF-CA-W-CTM



Sheridan Lighting Systems, Inc.  
4-2525 Dunwin Dr  
Mississauga, ON L5L 1R9

T 905-369-0101 F 905-369-0102  
sales@sherdansys.com www.sherdansys.com





**Luminaire:**  
cast aluminum

**Ballast:**  
(2) 120/277V electronic ballasts to be integrated into wall cavity beyond back plate (by others).

**Wattage:**  
4 x 26W

**Socket:**  
G24q-3 Base

**Lamp:**  
(4) Compact Fluorescent 26W Quad-Tube lamps, 3500K (by others)

**IES Distribution:**  
n/a

**Diffuser:**  
1/4" thick cased glass cylinder.

**Chain:**  
3/16" trade size, four sections of 18' included; advise vertical length required.

**Listing:**  
per UL "1598" suitable for wet locations.

**Finish:**  
smooth semi-gloss TGIC polyester powder coat

**Color:**  
Custom bronze

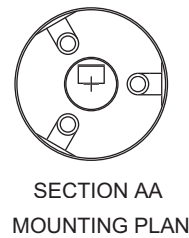
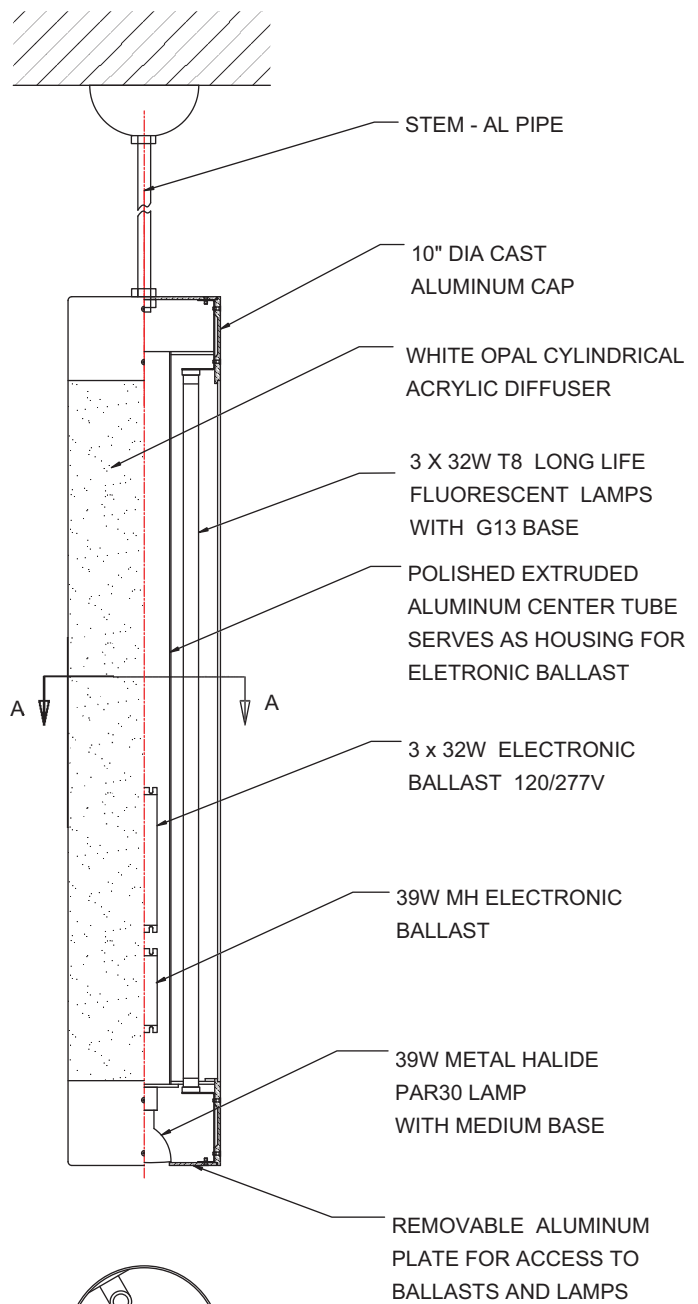
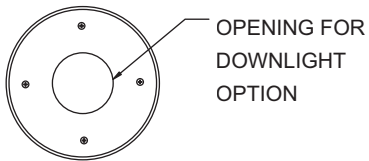
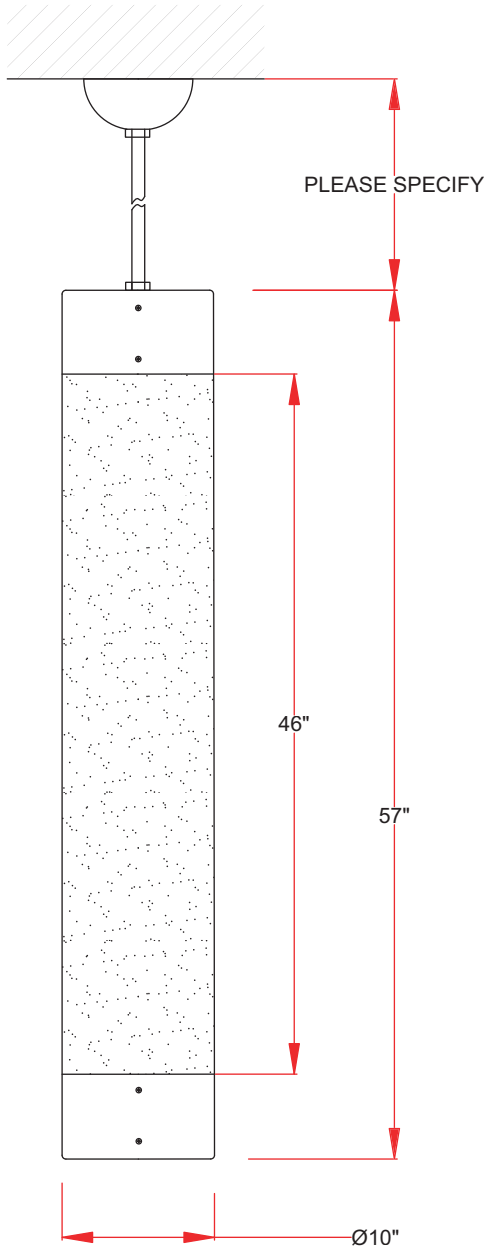
**F & M COLLEGE  
LANCASTER, PA**

**Date:**  
Sep. 21, 2009

**Model:**  
CSH4524-CG-426CF-CH-XX-CTM



Sheridan Lighting Systems, Inc.  
4-2525 Dunwin Dr  
Mississauga, ON L5L 1R9



**IRS Building  
2970 Market St  
Philadelphia, PA 19104**

Type FHP1

Date: Mar. 9, 2009

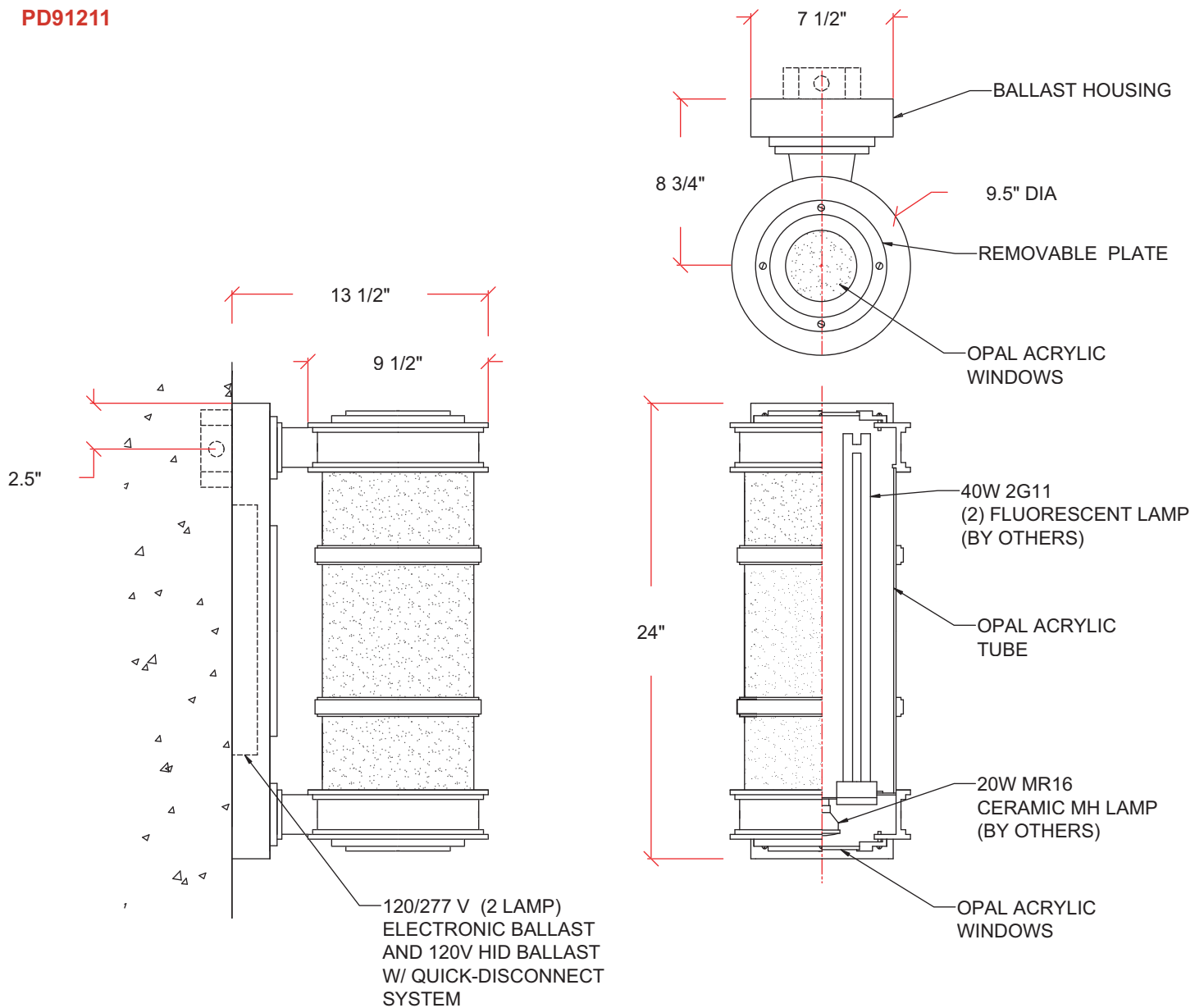
Model: CSH5710-WA-332CF-39M-4-STM-XX-RED

**Sheridan**  
lighting systems, inc.

Sheridan Lighting Systems, Inc.  
4-2525 Dunwin Dr  
Mississauga, ON L5L 1R9

T 905-369-0101 F 905-369-0102  
sales@sheridansys.com www.sheridansys.com

PD91211



**Luminaire:** heavy wall cast aluminum body, with cast aluminum decorative rings

**Ballast compartment:** cast aluminum

**Mounting arms:** cast aluminum

**Ballast:** two-lamp, 120V-277V electronic with EOL technology, with tool-less access and quick disconnects, mounted on a removable plate

**Wattage:** 40W **Voltage:** 120V-277V

**Socket:** 2G11

**Lamps:** two 40W PL-L compact fluorescent lamps with 4-pin base (by others)

**Ballast:** one 20W M156 120V high efficiency low frequency electronic HID, mounted in the wall box

**Lamp:** one 20W MR16 HID ceramic metal halide, with GX10 base (by others)

**Diffuser:** opal acrylic tube

**Listing:** per UL 1598 "suitable for wet locations"

**Finish:** TGIC polyester powder coat

**Color:** custom (TBA)

**WOODMORE TOWN CENTER**

Type F7

**Date:** Jan. 21, 2009

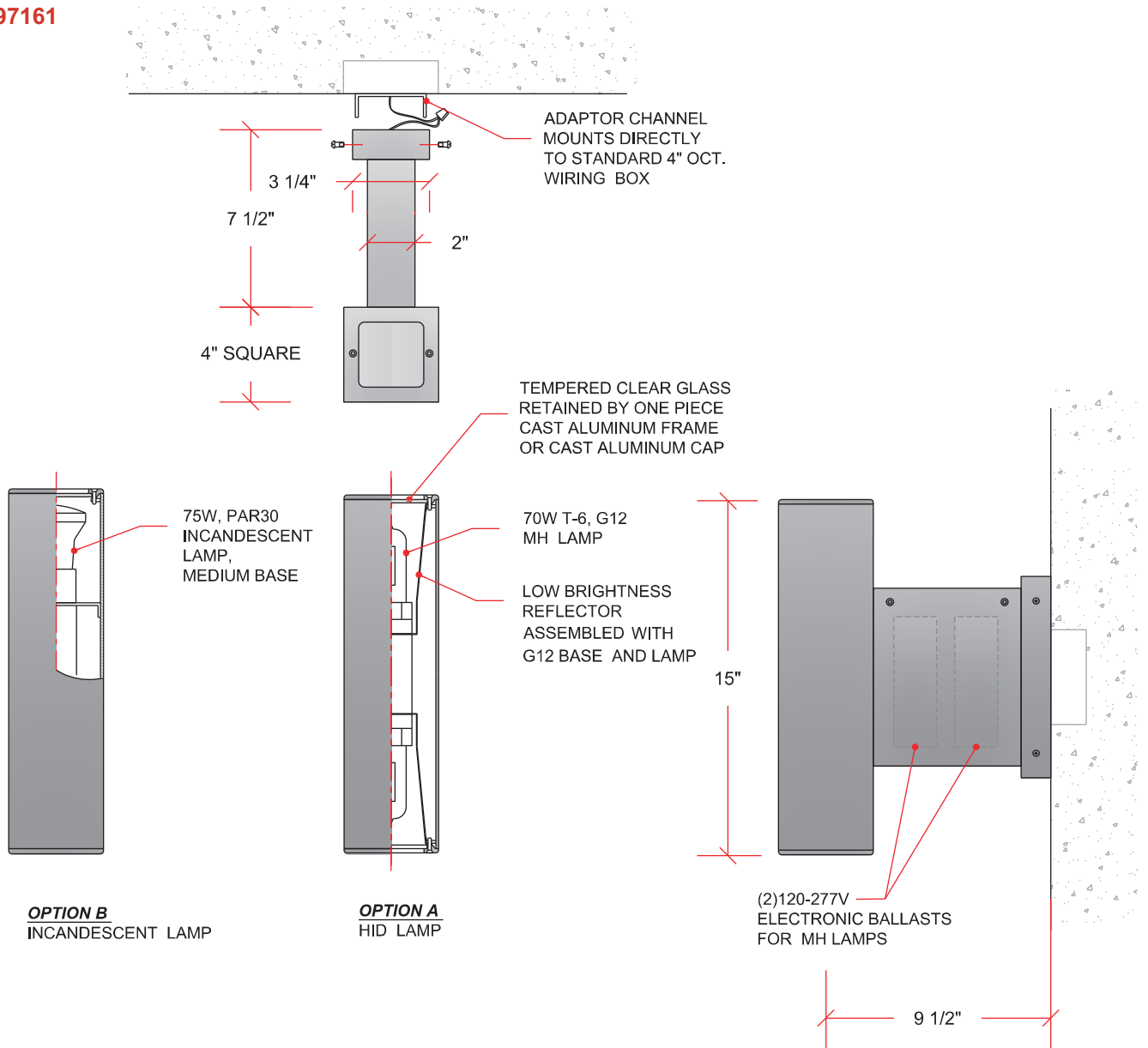
**Model:** CSH2410-WA-2CF40-20MR16-1-CSA-W-CTM

**Sheridan**  
lighting systems, inc.

Sheridan Lighting Systems, Inc.  
4-2525 Dunwin Dr  
Mississauga, ON L5L 1R9

T 905-369-0101 F 905-369-0102  
sales@sheridansys.com www.sheridansys.com

PD97161



**Top and bottom frame:** cast aluminum

**Body:** aluminum extrusion

**Ballast (optional):** electronic

**Wattage:** 70W **Voltage:** 120-277V

**Socket:** high heat steatite body G12; medium porcelain 4KV pulse rated for incandescent application

**Lamp:** single ended ceramic T6 70W MH, G12 base (by others); medium base PAR30 for incandescent application (by others)

**Diffuser:** clear tempered glass

**Optics:** low brightness reflector

**Listing:** per UL 1598 "suitable for wet locations".

**Installation:** mounts directly to a standard 4" octagonal JB (by others).

**Finish:** smooth semi-gloss TGIC powder coat

**Color:** choice of five standard colors: black (BLK), white (WHT), green (GRN), bronze (BRZ) and grey (GRY). Other colors extra.

**CARLSON COMPANIES**

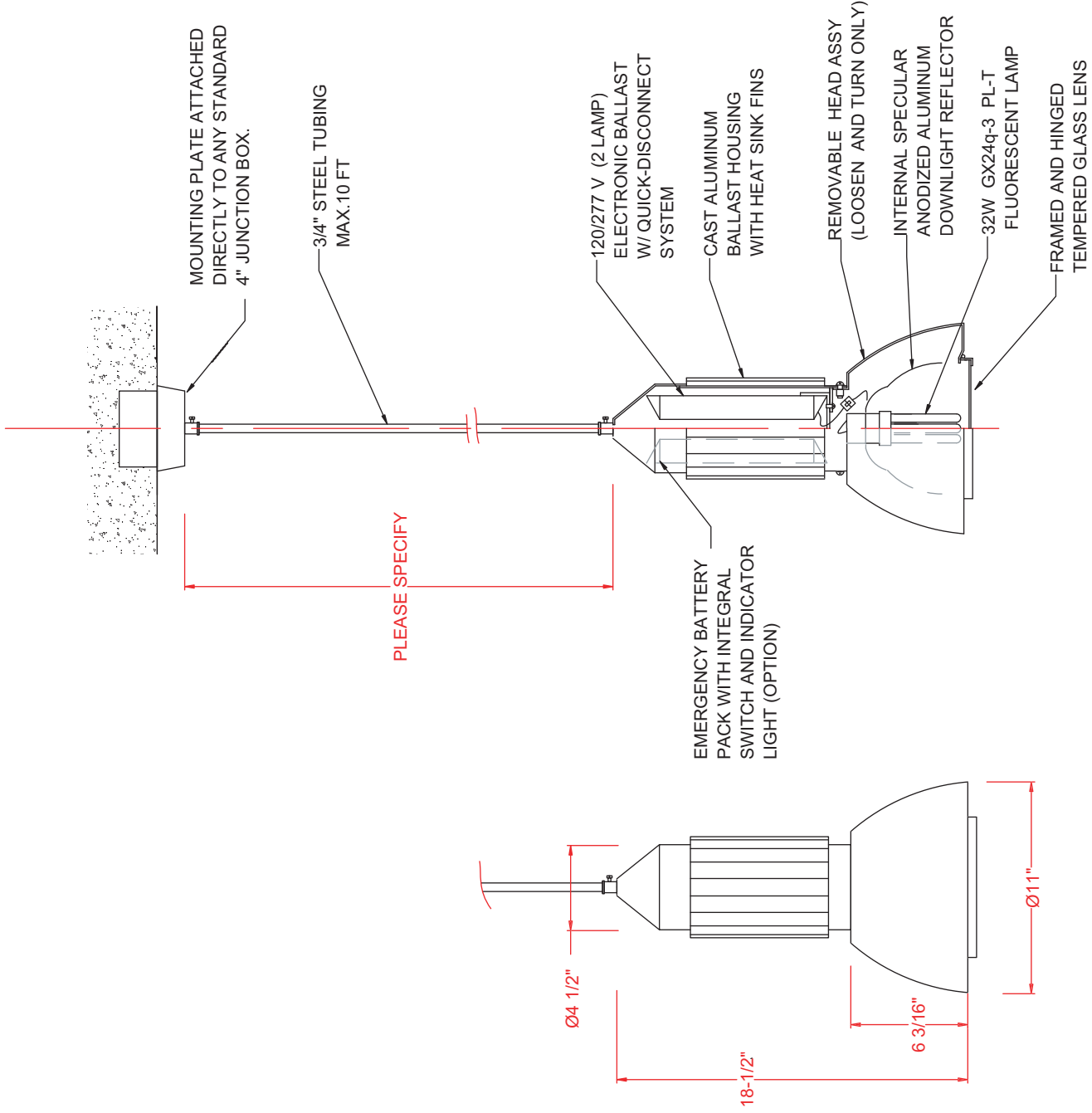
**Date:** Jul. 16, 2009

**Model:** CS4415-CG-7ME/INC-1-4-COLOR

**Sheridan**  
lighting systems, inc.

Sheridan Lighting Systems, Inc.  
4-2525 Dunwin Dr  
Mississauga, ON L5L 1R9

T 905-369-0101 F 905-369-0102  
sales@sheridansys.com www.sheridansys.com



**BARBADOS**

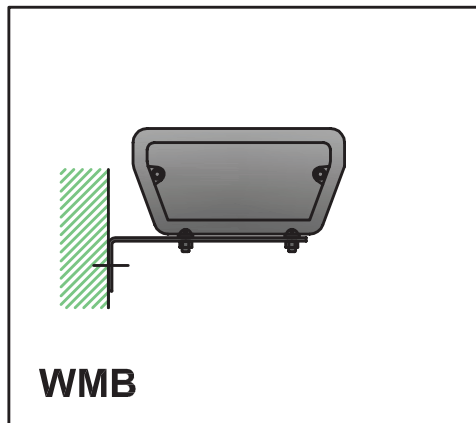
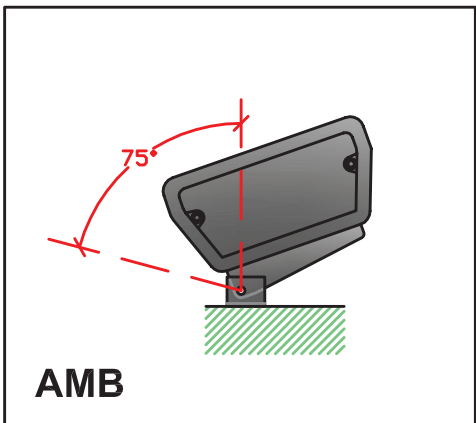
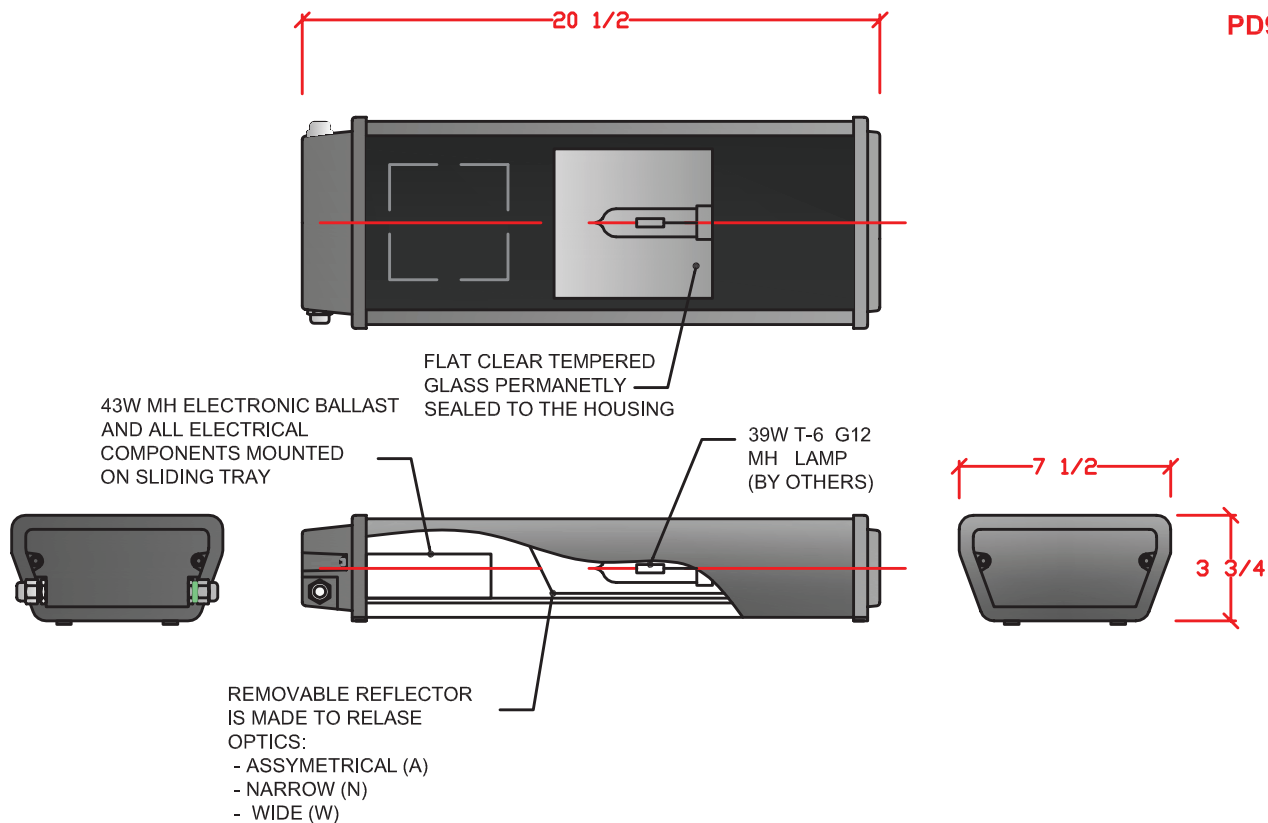
**Date:** Mar. 10, 2009

**Model:** CSH1911-CG-32CF-R5-COLOR



Sheridan Lighting Systems, Inc.  
 4-2525 Dunwin Dr  
 Mississauga, ON L5L 1R9

T 905-369-0101 sales@sheridansys.com  
 F 905-369-0102 www.sheridansys.com



**MECCA**  
**PD99101**

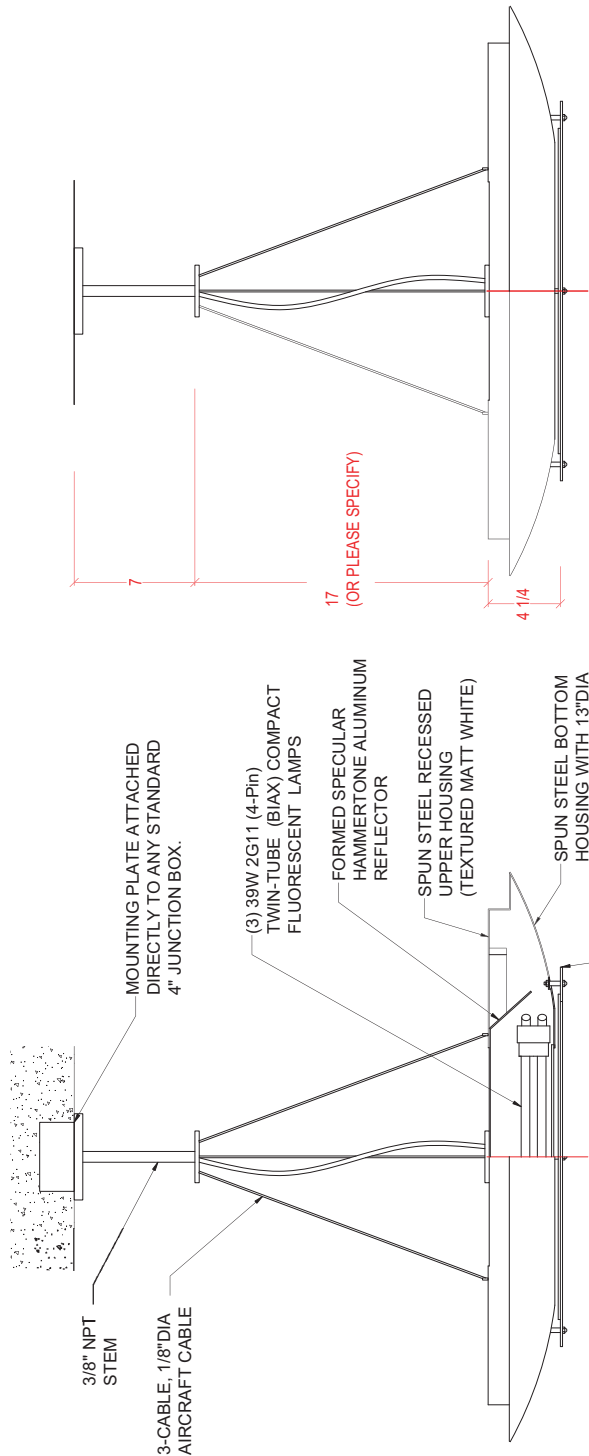
**Date:**  
Sep.10,2009

**Model:**  
CSH2148-CG-4AM-(A)(W)(N)-  
(AMB)(WMB)-COLOR

**Sheridan**  
lighting systems, Inc.

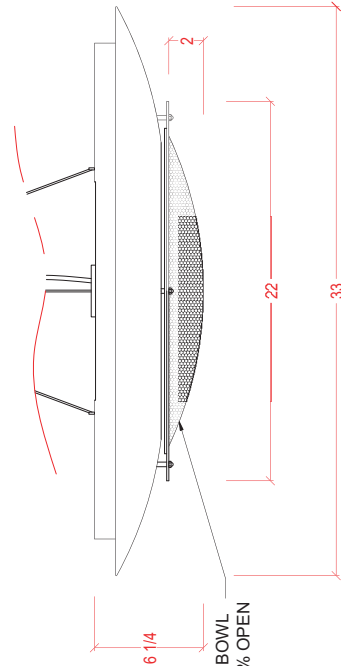
Sheridan Lighting Systems, Inc.  
 4-2525 Dunwin Dr  
 Mississauga, ON L5L 1R9

T 905-369-0101 F 905-369-0102  
 sales@sheridansys.com www.sheridansys.com

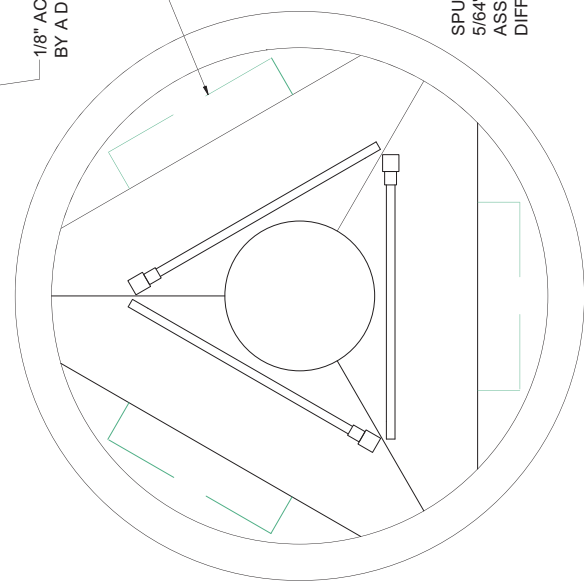


OPTION A - FLAT DIFFUSER

OPTION B - BOWL DIFFUSER



PLAN VIEW



MANHEIM ELEMENTARY SCHOOL

Type PC189

Date: Sep. 14, 2009

Model: CSH4533-CA-339CF-COLOR

Sheridan  
lighting systems, inc.

Sheridan Lighting Systems, Inc.  
4-2525 Dunwin Dr  
Mississauga, ON L5L 1R9

T 905-369-0101  
sales@sheridansys.com  
F 905-369-0102  
www.sheridansys.com

**GETTYSBURG COLLEGE  
CARF FIXTURE**

**Diffuser:** formed and fabricated  
forsted polycarbonate

**Housing:** stainless steel

**Ballast:** high frequency electronic  
two lamp 120/277V for T5HO

**Voltage:** PLEASE ADVISE

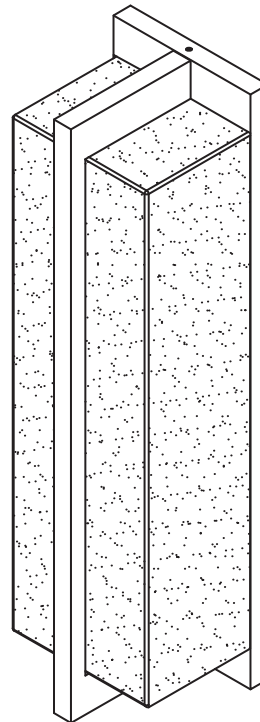
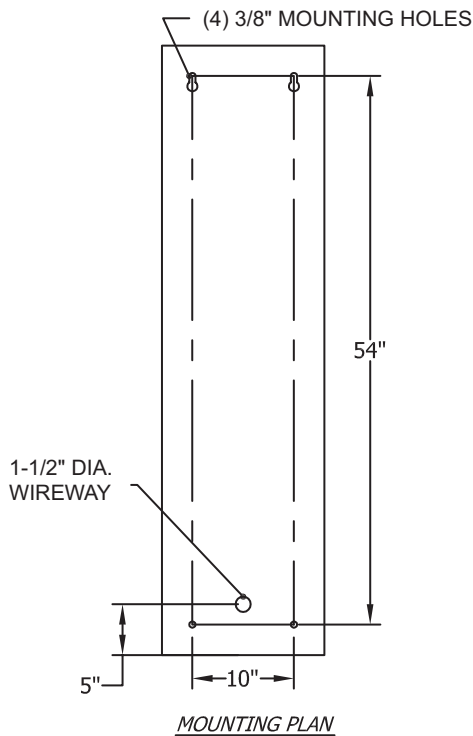
**Lamp:** two 54W T5HO

**Base:** miniature bi-pin

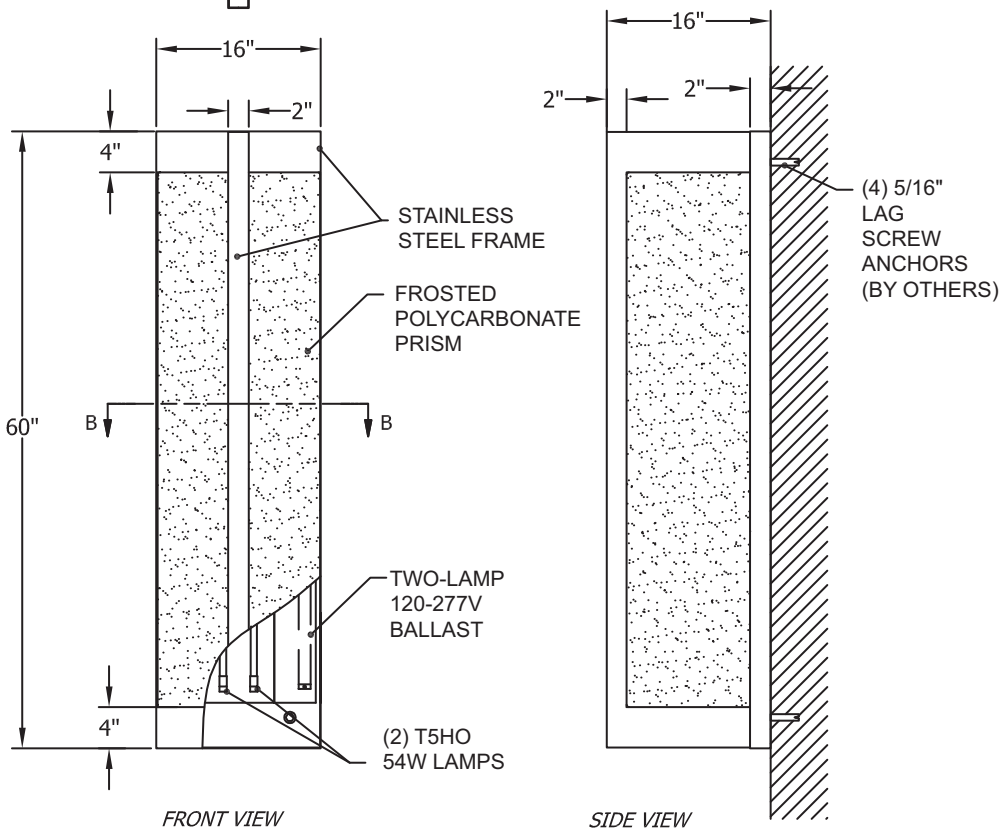
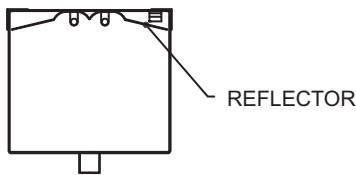
**Reflector:** highly polished aluminum  
with 95% reflectivity

**Mounting hardware:** not included

**Listing:** ETL listed to UL 1598 as  
suitable for wet locations.



SECTION B-B



**Drawing #PD81171**

**Date:** Nov. 7, 2008

**Model:** CSH1660-SS-(2)54T5HO-FP

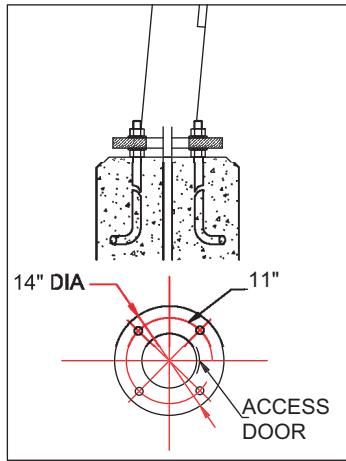
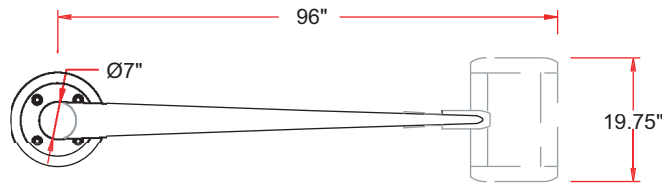
**Sheridan**  
lighting systems, inc.

Sheridan Lighting Systems, Inc.  
4-2525 Dunwin Dr  
Mississauga, ON L5L 1R9

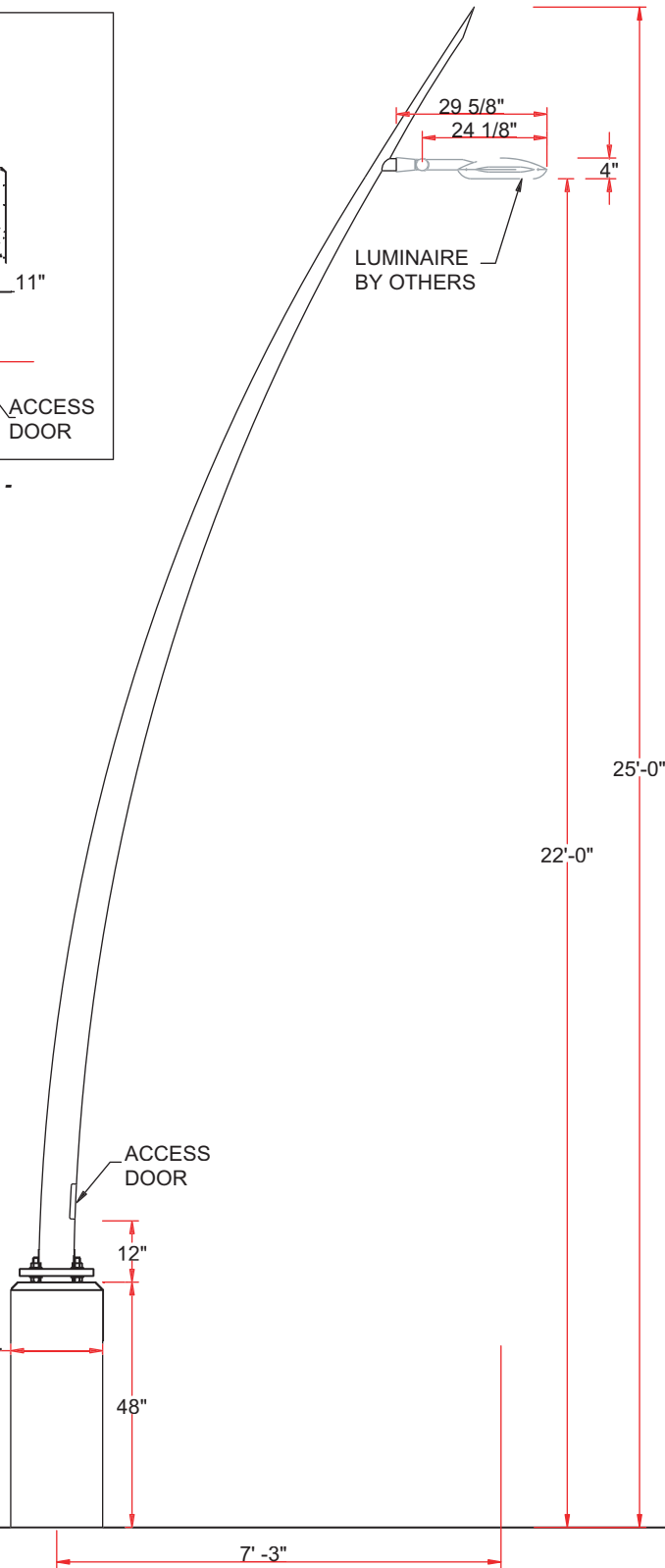
T 905-369-0101 F 905-369-0102  
sales@sheridansys.com www.sheridansys.com



PD95151.1



ANCHORAGE DETAIL -  
BOTTOM VIEW



### GRAND PRAIRIE

Type S2A

**Luminaire:** by others.

**Arm:** 2" sch 40 aluminum pipe (2 3/8"OD), welded to the pole shaft.

**Pole:** curved round tapered aluminum tubing with 0.188" wall thickness, welded in and over a cast aluminum base plate. Pole tapers at a rate of 0.14"/ft from 7" at the bottom to 2 3/8" at the top. Pole is then topped with a secondary section to form a needle spike. A 3" x 5" hand hole with a cast aluminum access door is provided at 12" to bottom from finished grade.

**Base plate:** one-piece cast aluminum

**Base cover:** none

**Anchor bolts:** four 1" x 36"L galvanized 55ksi yield steel, with 4" hook, 4" projection, with two nuts and two washers per bolt for leveling, installed on 11" bolt circle. Anchor bolts and steel templates supplied by Sheridan.

**Concrete pier base:** by others

**Finish:** TGIC polyester powder coat

**Color:** color by architect. Five standard colors to choose from: black, green, bronze, white and grey. Other colors available upon request.

**Date:** July 1, 2009

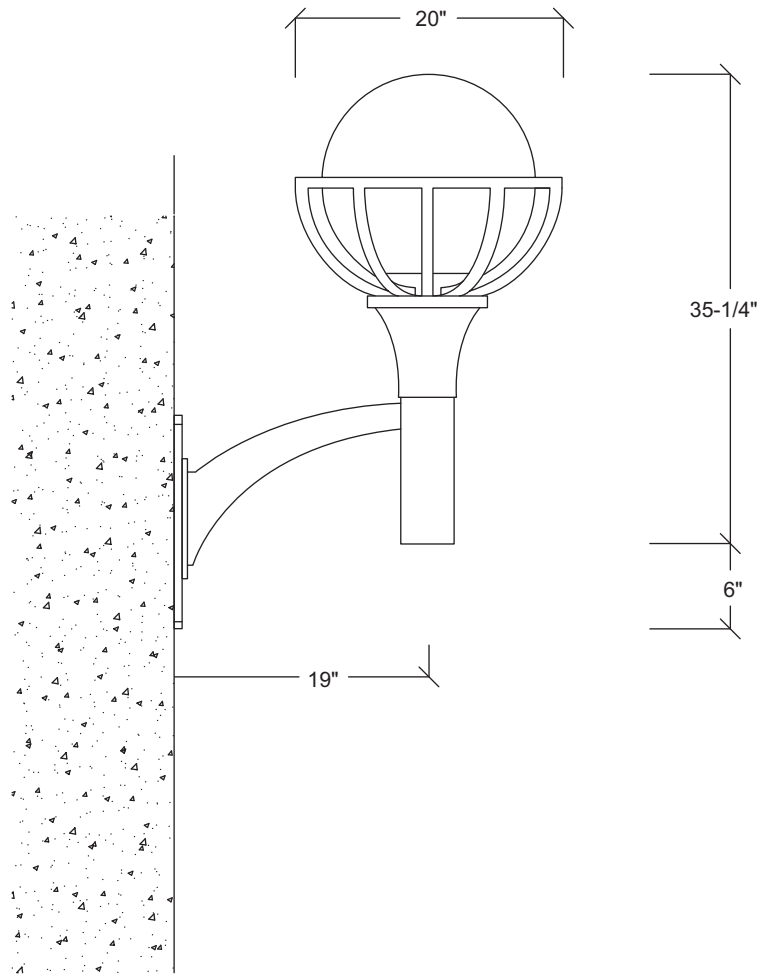
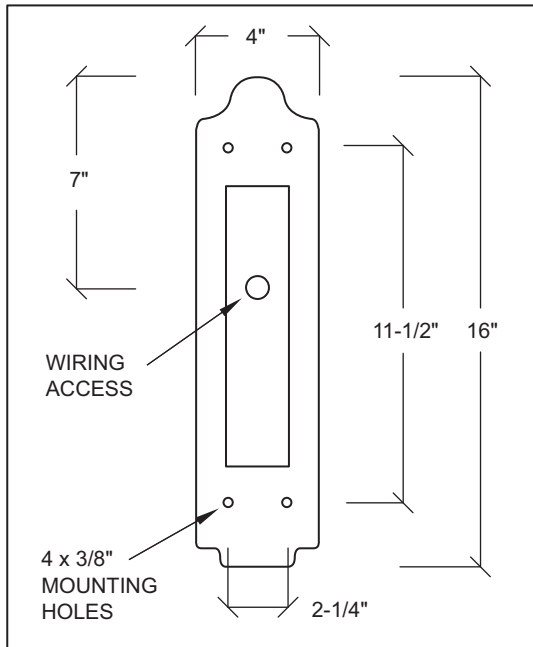
**Model:** CSP71-RTCA-21-CSA-A-CBA

**Sheridan**  
lighting systems, inc.

Sheridan Lighting Systems, Inc.  
4 - 2525 Dunwin Dr  
Mississauga, ON L5L 1R9

T 905-369-0101 F 905-369-0102  
sales@sheridansys.com www.sheridansys.com

MOUNTING DETAILS



**Diffuser:** 16"OD opal white acrylic

**Fitter (capital):** cast aluminum

**Cage:** 20"OD cast aluminum

**Ballast:** MH or HPS, 250W max, multi (quad) tap, with tool-less access and quick disconnects, mounted on a removable plate.

**Voltage:** ADVISE

**Socket:** mogul

**Lamp:** by others

**Optics:** bare lamp

**Options:** none

**Photocell:** none

**Hardware:** vandal resistant, stainless steel

**Wall bracket:** cast aluminum arm with cast aluminum wall plate. Mounting hardware not included.

**Finish:** TGIC polyester powder coat

**Color:** smooth semi gloss black

**WALL SCONCE**

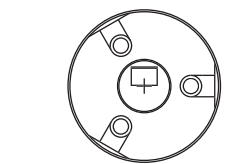
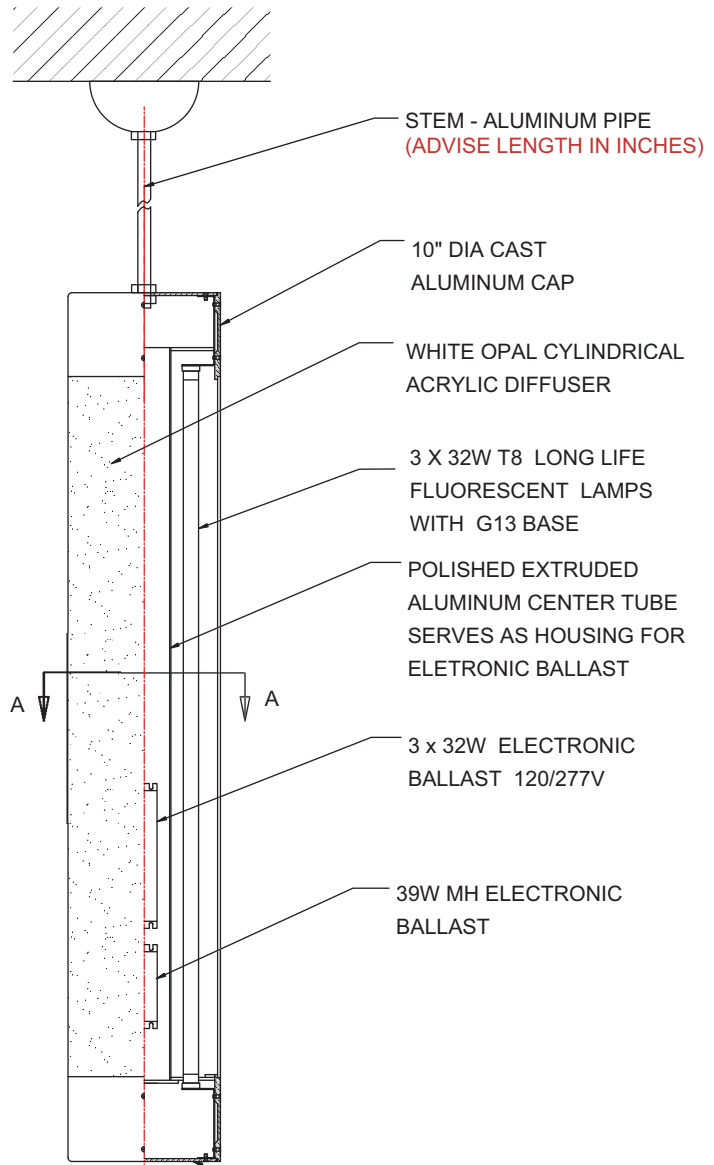
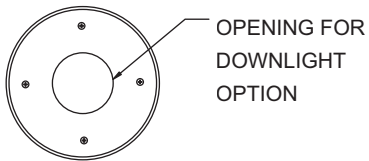
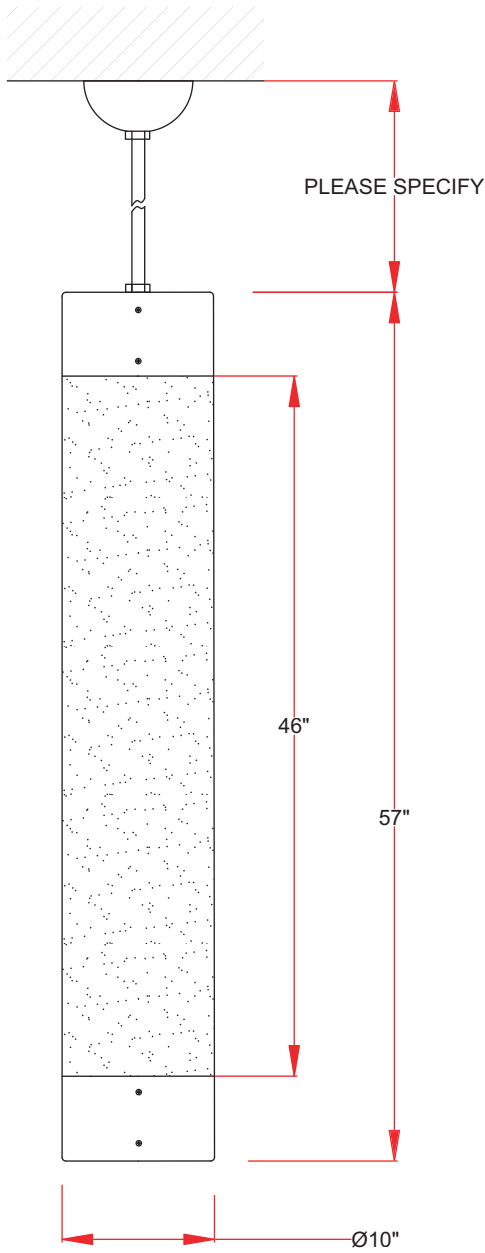
**Date:** July 14, 2008

**Model:** CSH15-WA-WATT-VOLT-BA-CSA-W-BLK

**Sheridan**  
lighting systems, inc.

Sheridan Lighting Systems, Inc.  
3500 Glen Erin Dr, Unit 44  
Mississauga, ON L5L 1W6

T 905-369-0101 sales@sheridansys.com F 905-369-0102 www.sheridansys.com



SECTION AA  
MOUNTING PLAN

**CSULB**

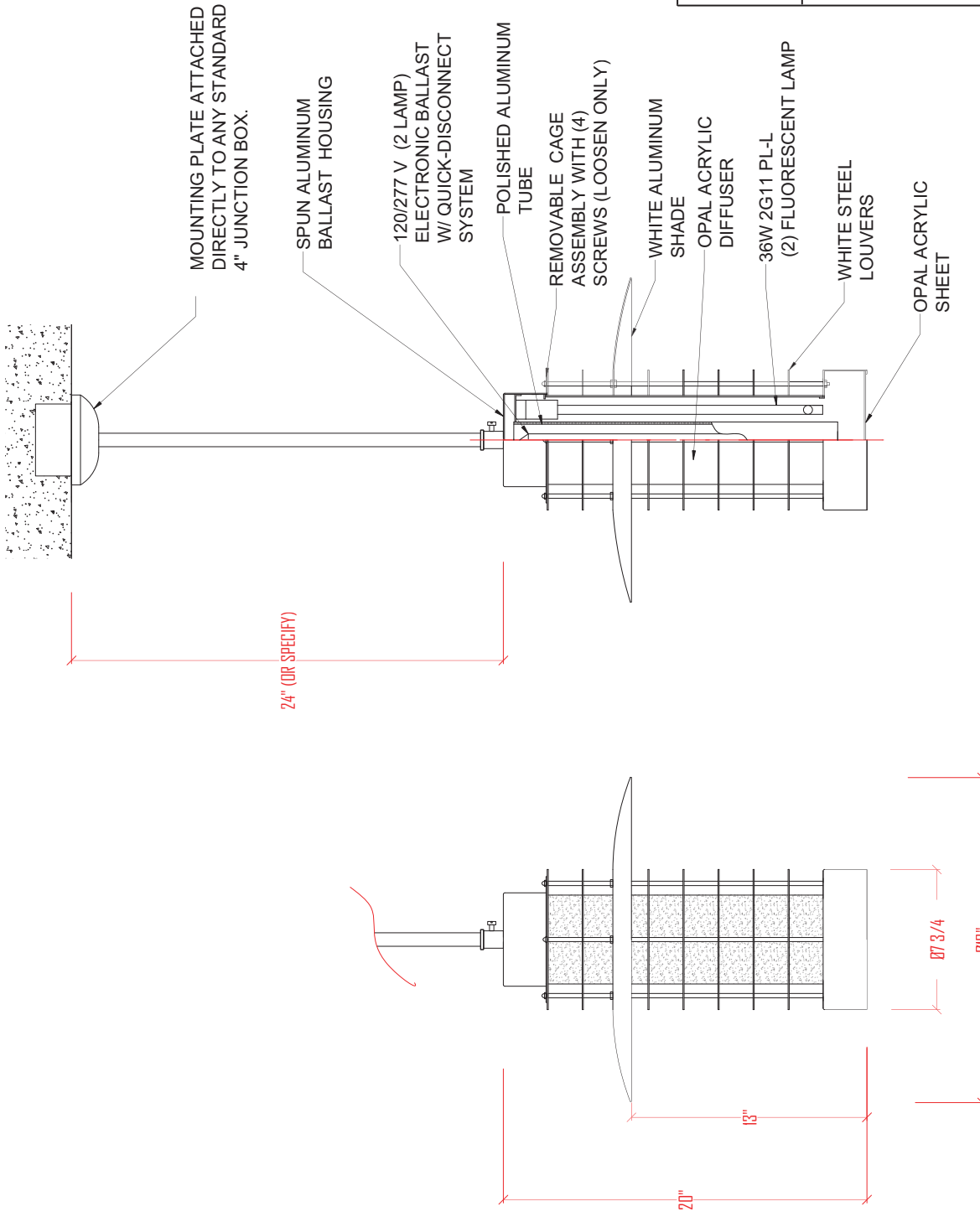
**Date:** Aug. 3, 2009

**Model:** CSH5710-WA-332CF-4-STM-XX-COLOR

**Sheridan**  
lighting systems, inc.

Sheridan Lighting Systems, Inc.  
4-2525 Dunwin Dr  
Mississauga, ON L5L 1R9

T 905-369-0101 F 905-369-0102  
sales@sheridansys.com www.sheridansys.com



**DAVIES HIGH SCHOOL**  
Fargo, ND

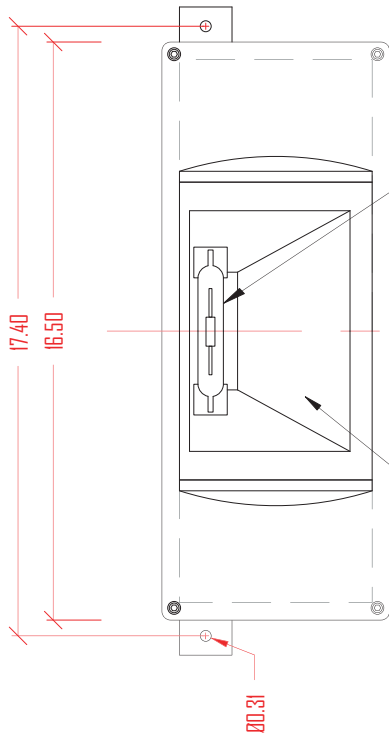
Date: Jan. 2, 2009

Model: CSH1820-WA-236CF-4-COLOR



Sheridan Lighting Systems, Inc.  
4-2525 Durwin Dr  
Mississauga, ON L5L 1R9

T 905-369-0101  
sales@sheridansys.com  
F 905-369-0102  
www.sheridansys.com



HIGHLY POLISHED ALUMINUM REFLECTOR

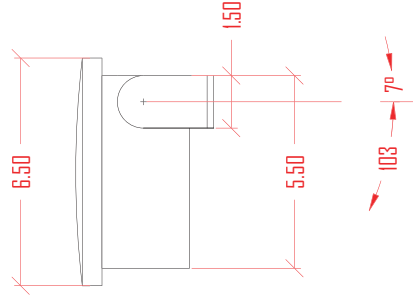
150W T-6 G12 MH CERAMIC LAMP (BY OTHERS)

NOTE:  
THE 150W VERSION USES A REMOTE MAGNETIC 120/277V BALLAST. BALLAST CAN BE MOUNTED UP TO 50" AWAY FROM THE FIXTURE.

TEMPERED GLASS LENS (CLEAR)

GASKET

150W MH HALOGEN CERAMIC LAMP (BY OTHERS) WITH DOUBLE-ENDED RX7s SOCKET



3.94

**SYMMETRIC WIDE BEAM**

**DENVER UNION STATION**  
Type SM1

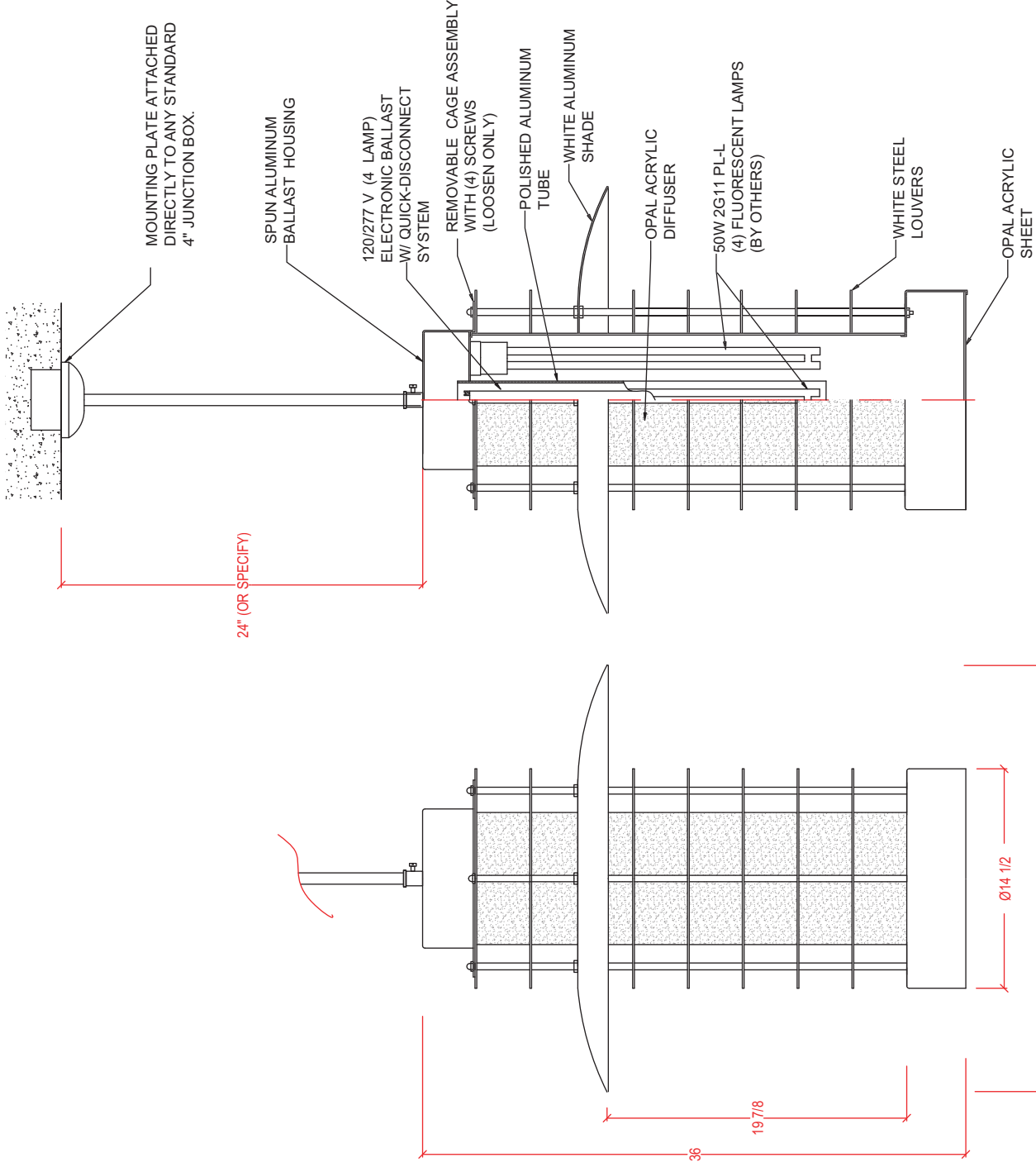
Date: Feb. 16, 2009

Model: CSH1764-CG-15MC-4-RW-COLOR



Sheridan Lighting Systems, Inc.  
4-2525 Durwin Dr  
Mississauga, ON L5L 1R9

T 905-369-0101 sales@sheridansys.com  
F 905-369-0102 www.sheridansys.com



**DAVIES HIGH SCHOOL**  
Fargo, ND

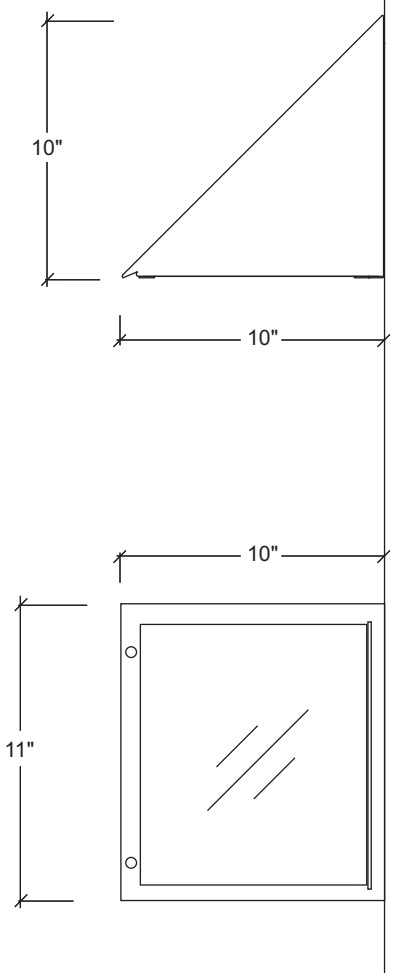
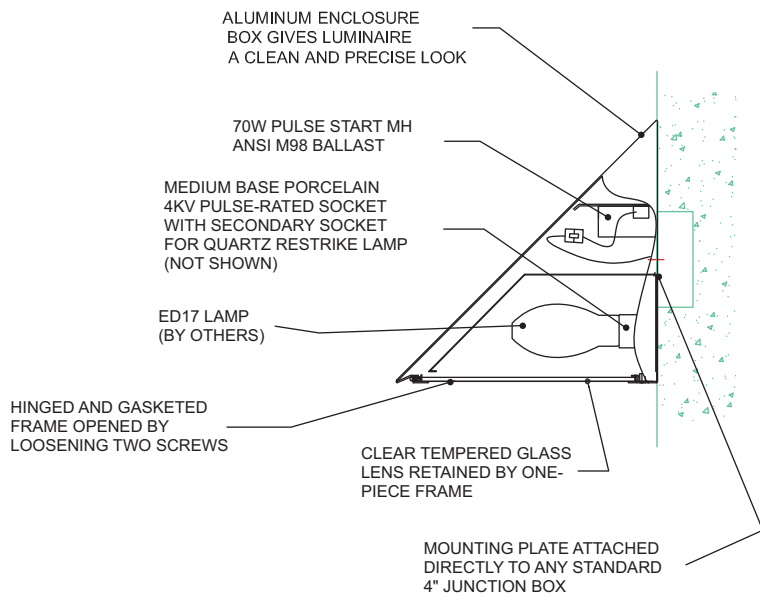
Date: Jan. 28, 2009

Model: CSH2836-WA-450CF-4-COLOR

**Sheridan**  
lighting systems, inc.

Sheridan Lighting Systems, Inc.  
4-2525 Dunwin Dr  
Mississauga, ON L5L 1R9

T 905-369-0101  
sales@sheridansys.com  
F 905-369-0102  
www.sheridansys.com



**Luminaire:** heavy wall cast aluminum body.

**Ballast:** ANSI M98 pulse start metal halide, with tool-less access and quick disconnects, mounted on a removable plate.

**Wattage:** 70W

**Voltage:** 120V

**Socket:** medium porcelain 4KV pulse rated; secondary socket for T-3 DC bayonet base quartz restrrike lamp

**Lamp:** ED17 (by others); T-3 DC bayonet base quartz restrrike lamp (by others)

**Quartz restrrike module:** current-sensing; timer optional

**Reflector:** segmented bright anodized aluminum

**Diffuser:** hinged, clear tempered glass, with tamper resistant hardware for access to lamp.

**Mounting:** mounts to a standard JB

**Listing:** per UL 1598 "suitable for wet locations"

**Finish:** TGIC polyester powder coat

**Color:** standard bronze

**Bloomsburg University  
Columbia Residence**  
Bloomsburg, PA

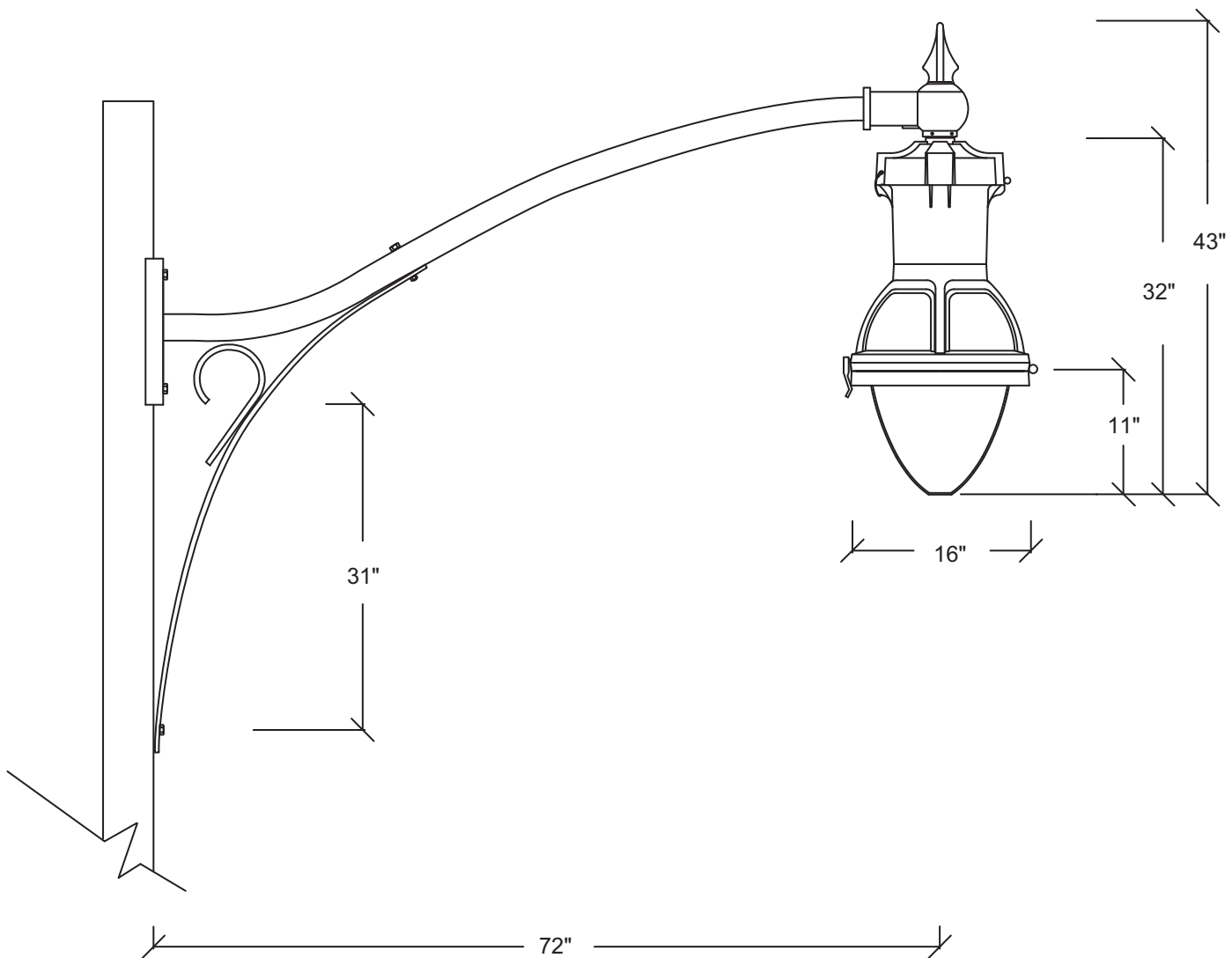
**Date:** Jun. 12, 2009

**Model:** CSH1011-CG-7M-1-QZ-BRZ

**Sheridan**  
lighting systems, inc.

Sheridan Lighting Systems, Inc.  
4-2525 Dunwin Dr  
Mississauga, ON L5L 1R9

T 905-369-0101 F 905-369-0102  
sales@sheridansys.com www.sheridansys.com



**Ballast housing:** heavy wall cast aluminum body, with 1-1/4" NPT internal thread for plumbizer and with decorative cast aluminum ribs.

**Ballast:** pulse start MH high power factor, multi (quad) tap, ANSI M153, with tool-less access and quick disconnects, mounted on a removable plate.

**Wattage:** 250W      **Voltage:** 240V

**Socket:** 4kV pulse rated porcelain mogul

**Lamp:** ED28 (by others)

**Reflector:** multifaceted bright anodized aluminum, with additional external spinning to conceal the reflector.

**Diffuser:** hinged, clear prismatic acrylic refractor, with tool-less access to lamp via a side latch.

**IES Distribution:** type III

**Arm material:** 60 mm (2-3/8") x 5 mm (3/16") thick aluminum tubing.

**Scroll:** 38 mm (2") x 9 mm (3/8") thick flat bar.

**Finial, luminaire mounting:** cast aluminum spike finial with a ball plumbizer and a slip fitter. Luminaire is threaded onto the plumbizer, which is then locked in position with three set screws. Plumbizer module slip fits onto the arm and is then welded to the arm.

**Mounting hardware (pole side):** by others

**Finish:** TGIC polyester powder coat

**Color:** standard black

**PORT ST. LUCIE**

**Date:** Sep. 2, 2008

**Model:** SH90-MOD-RIB-A3-25H-3(MT)-SA35-A-6-BLK

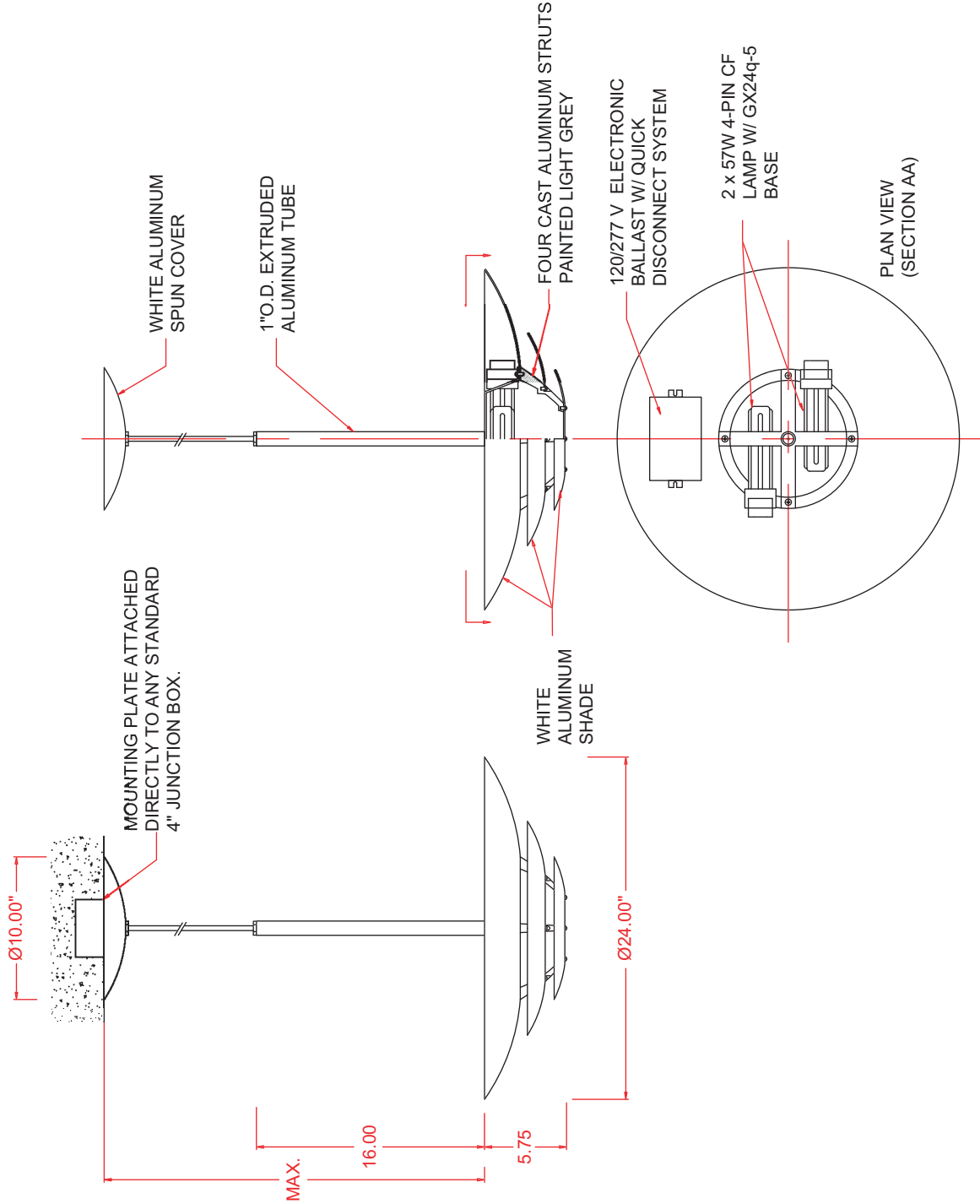
**Sheridan**  
lighting systems, inc.

Sheridan Lighting Systems, Inc.  
4 - 2525 Dunwin Dr  
Mississauga, ON L5L 1R9

T 905-369-0101      F 905-369-0102  
sales@sheridansys.com      www.sheridansys.com



PD94143.2



**OASIS SENIOR CENTER**  
Newport Beach, CA

**Luminaire:** spun aluminum dome and shades

**Optics:** bare lamp

**Ballast:** 120/277V electronic with quick disconnects, mounted in the canopy.

**Lamp:** two 57W CFL (by others)

**Socket:** GX24q-5

**Mounting:** mounting plate attaches to any standard 4" junction box and is covered with a canopy

**Listing:** per UL 1598 "suitable for wet locations".

**Finish:** TGIC polyester powder coat

**Color:** white. Other standard colors available: black, green, bronze and grey. Custom colors available upon request.

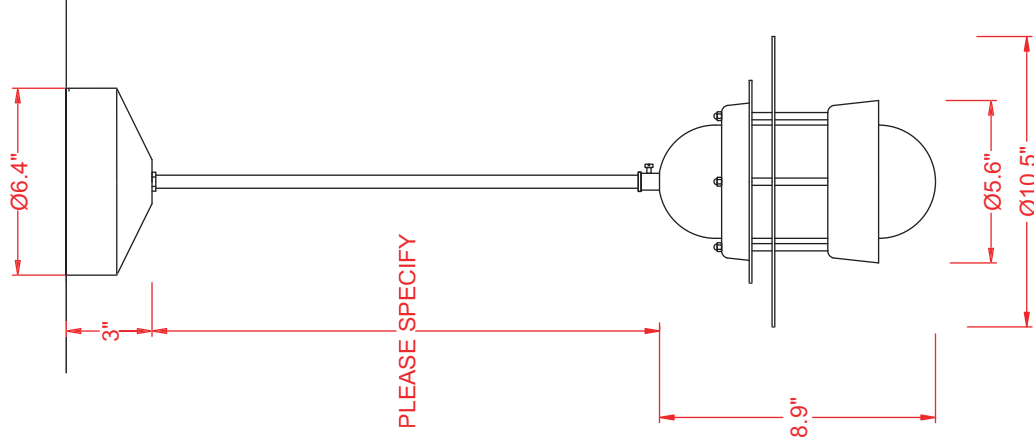
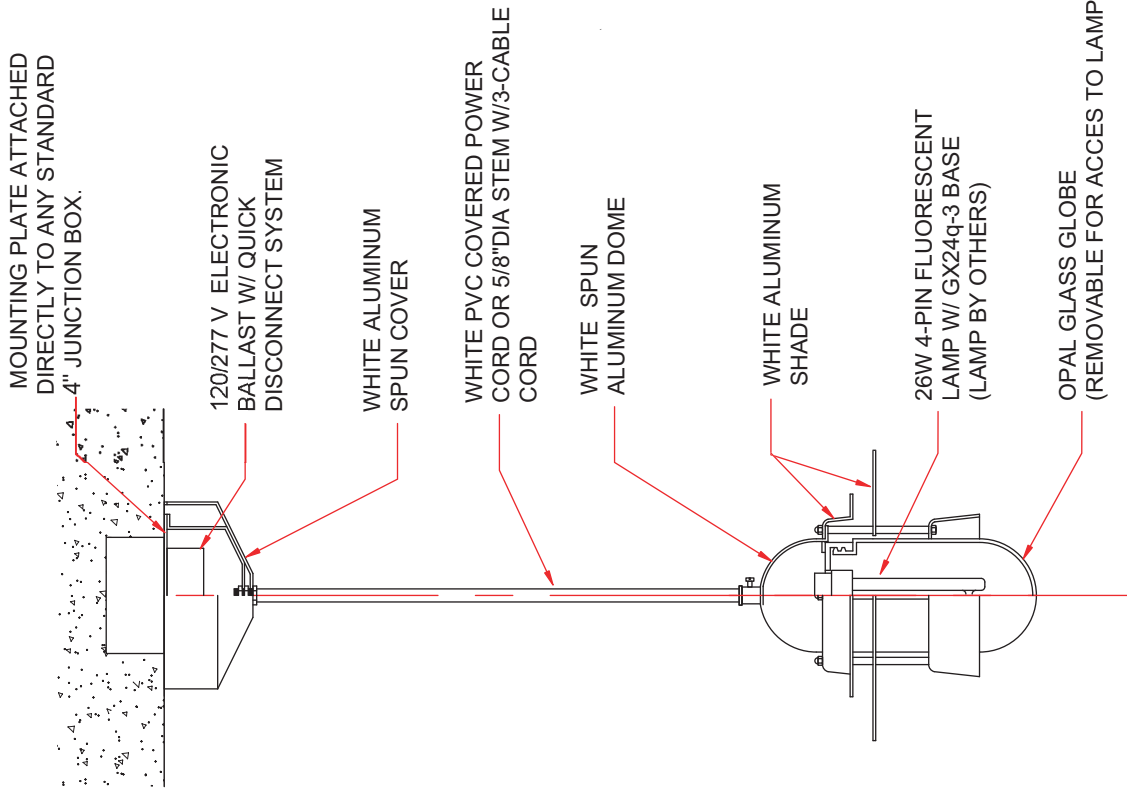
**Date:** Apr. 24, 2009

**Model:** CSH246-257CF-1-4-BA-WHT

**Sheridan**  
lighting systems, inc.

Sheridan Lighting Systems, Inc.  
4-2525 Dunwin Dr  
Mississauga, ON L5L 1R9  
T 905-369-0101 sales@sheridansys.com  
F 905-369-0102 www.sheridansys.com

PD94143.1



**OASIS SENIOR CENTER**  
Newport Beach, CA

**Luminaire:** spun aluminum dome and shades

**Diffuser:** opal glass globe

**Optics:** bare lamp

**Ballast:** 120/277V electronic with quick disconnects, mounted in the canopy.

**Lamp:** 26W CFL (by others)

**Socket:** GX24q-3

**Mounting:** mounting plate attaches to any standard 4" junction box and is covered with a canopy

**Listing:** per UL 1598 "suitable for wet locations".

**Finish:** TGIC polyester powder coat

**Color:** color by architect. Five standard colors to choose from: black, green, bronze, white and grey. Other colors available upon request.

**Date:** Apr. 15, 2009

**Model:** CSH109-WG-126CF-1-4-BA-COLOR

**Sheridan**  
lighting systems, inc.

Sheridan Lighting Systems, Inc.  
4-2525 Dunwin Dr  
Mississauga, ON L5L 1R9

T 905-369-0101 sales@sheridansys.com  
F 905-369-0102 www.sheridansys.com

PD93241.1

UNIVERSITY GATEWAY

**Ballast chamber:** heavy wall cast aluminum with external cooling fins

**Decorative skirt:** spun aluminum, permanently attached to the domed ballast chamber.

**Diffuser:** hinged, clear tempered flat glass

**Optics:** hydroformed bright anodized reflector IES type V with full cutoff

**Ballast:** two two-lamp 70W 120V-277V electronic ballasts, with tool-less access and quick disconnects, mounted on a removable plate.

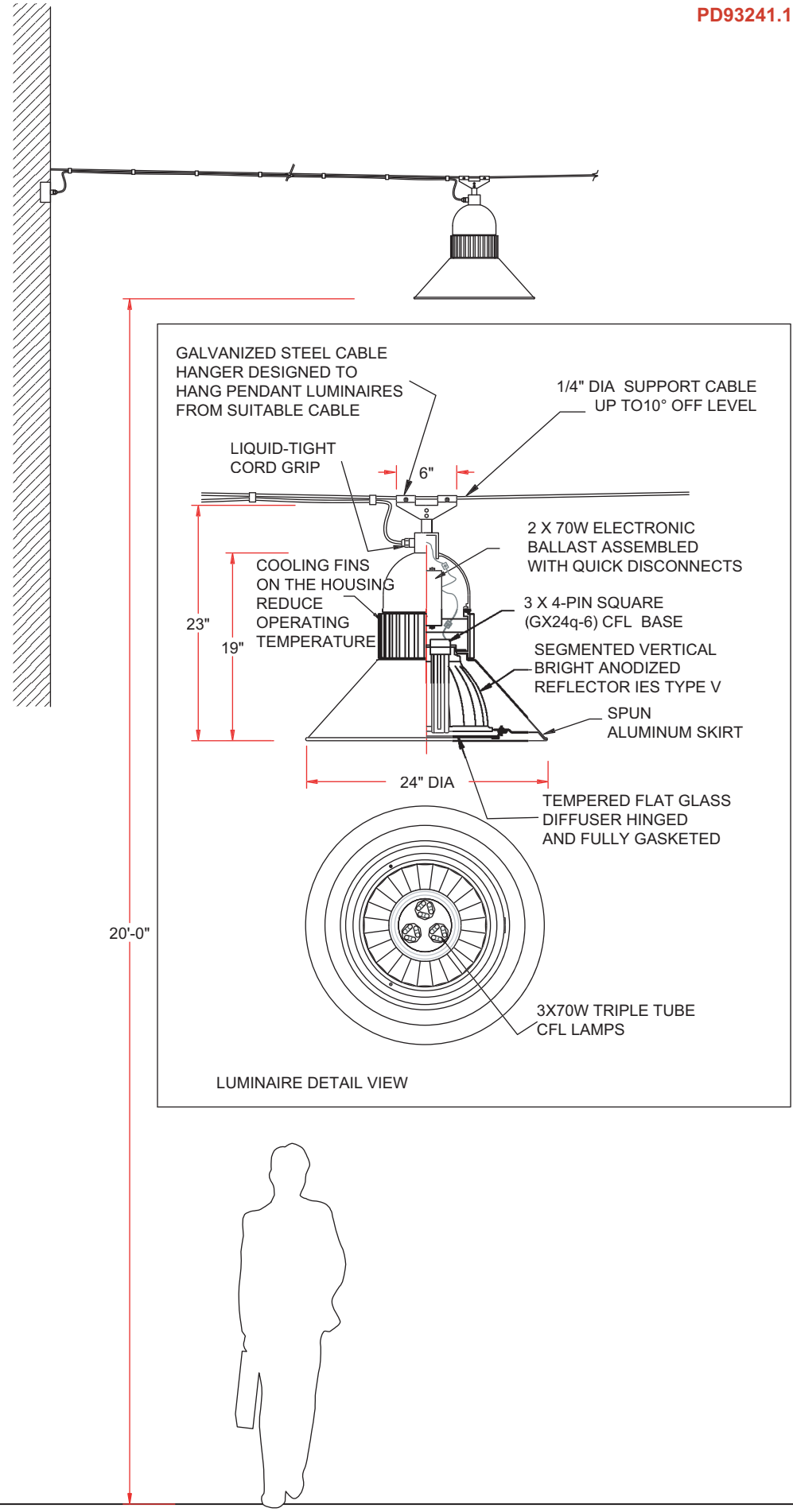
**Sockets:** three GX24q-6 for compact fluorescent lamps

**Lamps:** three 70W CFL (by others)

**Listing:** per UL 1598 "suitable for wet locations".

**Finish:** TGIC polyester powder coat

**Color:** color by architect. Five standard colors to choose from: black, green, bronze, white and grey. Other colors available upon request.



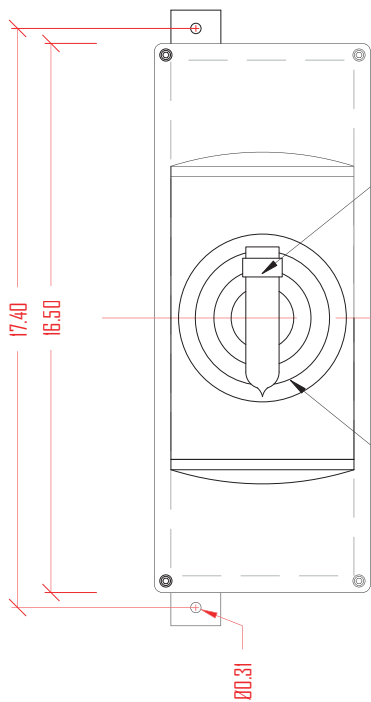
**Date:** Apr. 10, 2009

**Model:** SH82-CG-270CF-1-4-HR5-CBL-COLOR

**Sheridan**  
lighting systems, inc.

Sheridan Lighting Systems, Inc.  
4 - 2525 Dunwin Dr  
Mississauga, ON L5L 1R9

T 905-369-0101 sales@sheridansys.com F 905-369-0102 www.sheridansys.com



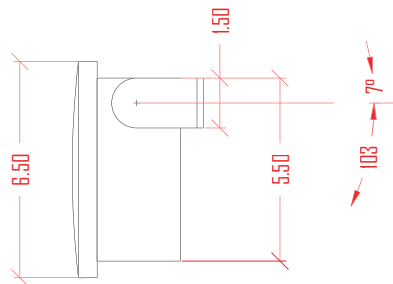
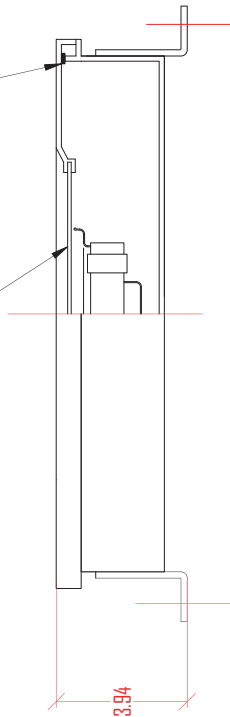
150W T-6 G12  
MH CERAMIC LAMP  
(BY OTHERS)

HIGH POLISHED  
MULTI FACED  
ALUMINUM  
REFLECTOR

NOTE:  
THE 150W VERSION USES A REMOTE  
MAGNETIC 120/277V BALLAST.  
BALLAST CAN BE MOUNTED UP  
TO 50" AWAY FROM THE FIXTURE.

TEMPERED GLASS  
LENS (CLEAR)

GASKET



ROTATIONALLY SYMMETRIC NARROW BEAM

**DENVER UNION STATION**  
Type SM1A

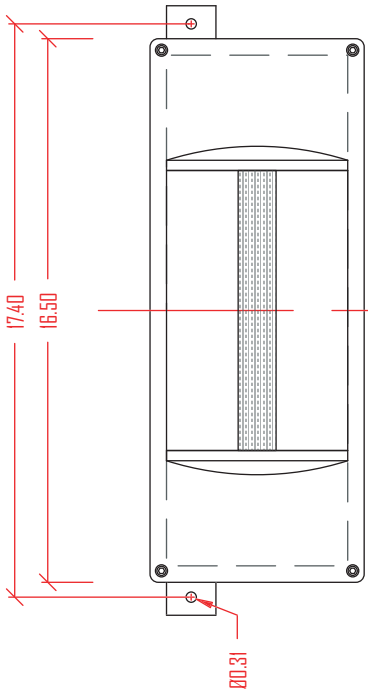
Date: Feb. 16, 2009

Model: CSH1764-CG-15MC-4-RN-COLOR

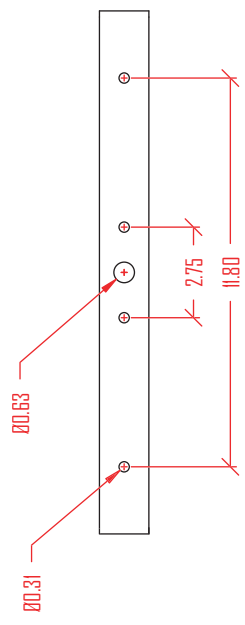
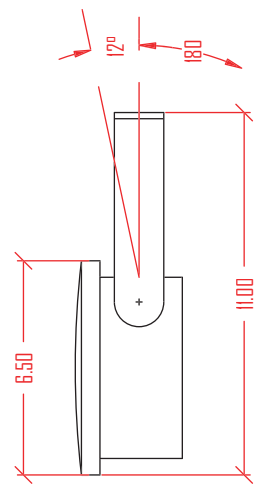
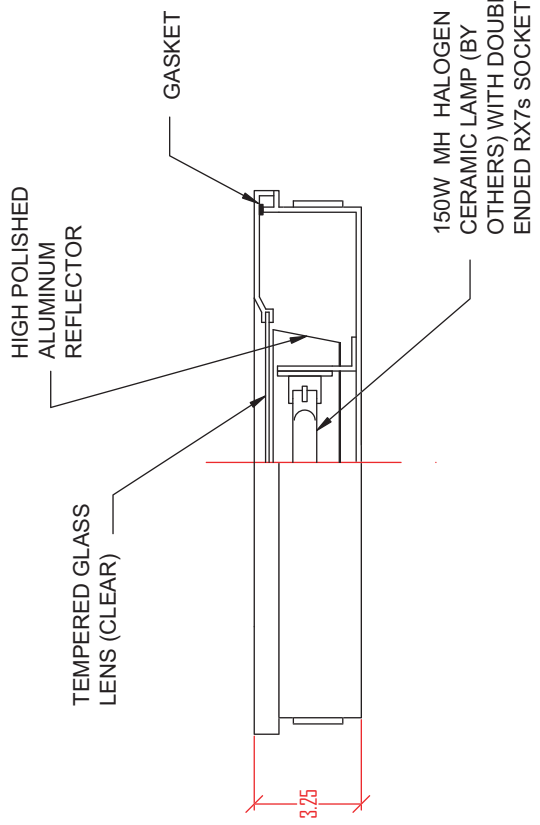


Sheridan Lighting Systems, Inc.  
4-2525 Dunwin Dr  
Mississauga, ON L5L 1R9

T 905-369-0101 sales@sheridansys.com  
F 905-369-0102 www.sheridansys.com



NOTE:  
THE 150W VERSION USES A REMOTE  
MAGNETIC 120/277V BALLAST.  
BALLAST CAN BE MOUNTED UP  
TO 50" AWAY FROM THE FIXTURE.



**WALL WASHER GRAZE WITH MOUNTING BRACKET**

**DENVER UNION STATION**  
Type SM1B

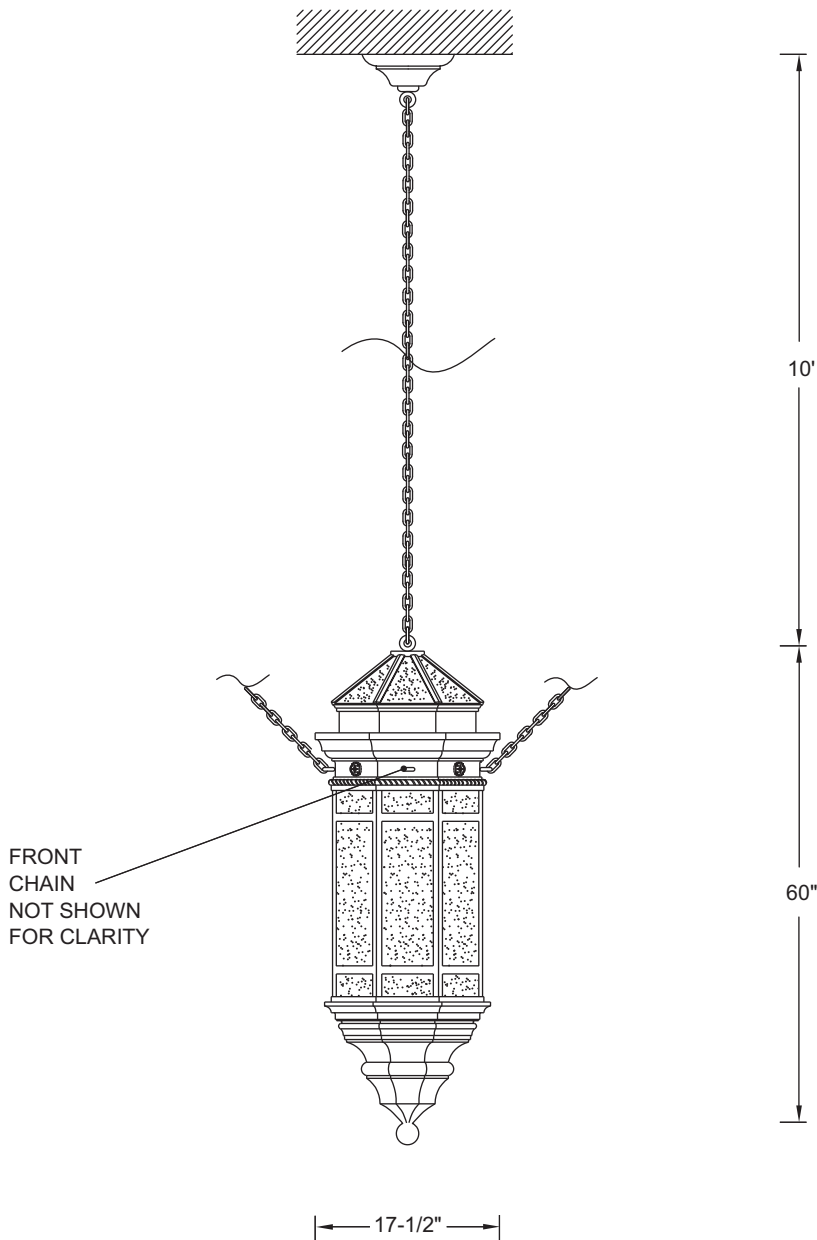
Date: Feb. 16, 2009

Model: CSH1764-CG-15MC-4-WW-COLOR



Sheridan Lighting Systems, Inc.  
4-2525 Durwin Dr  
Mississauga, ON L5L 1R9  
T 905-369-0101 sales@sherdansys.com www.sherdansys.com  
F 905-369-0102 www.sherdansys.com

PD81172.4



**07039 First Presbyterian Church**  
Norfolk, VA

**Roof:** octagonal cast aluminum with translucent frosted polycarbonate panels

**Cage:** cast aluminum, octagonal

**Fitter:** cast aluminum with integral ballast compartment and round decorative finial

**Ballast:** pulse start MH high power factor, multi (quad) tap, ANSI M102, with quick disconnects, mounted in the luminaire

**Wattage:** 150W      **Voltage:** 277V

**Socket:** mogul      **Lamp:** ED28 (by others)

**Optics:** borosilicate glass refractor IES type III, with a fully rotateable, 120 deg. house side shield.

**Diffuser:** frosted polycarbonate

**Chain:** 1/4" trade size, 10' long, zinc plated steel, with additional four 10' sections to be attached to the luminaire and to four wall plates. Wall plates (not shown) and anchoring hardware included.

**Ceiling cover:** spun aluminum

**Finish:** TGIC polyester powder coat

**Color:** black

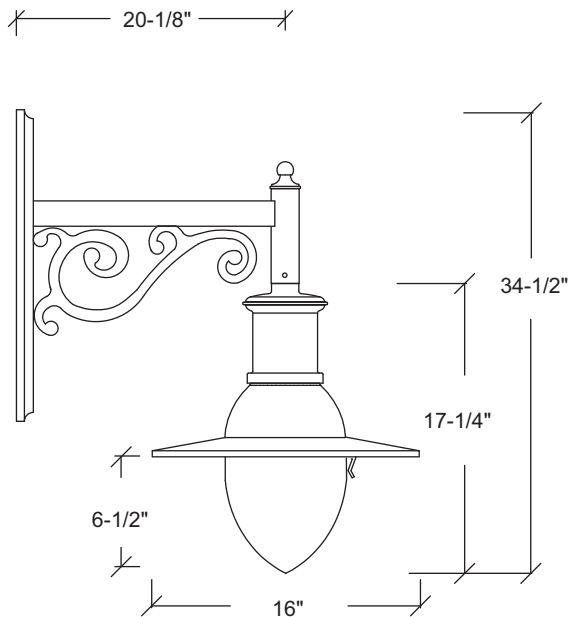
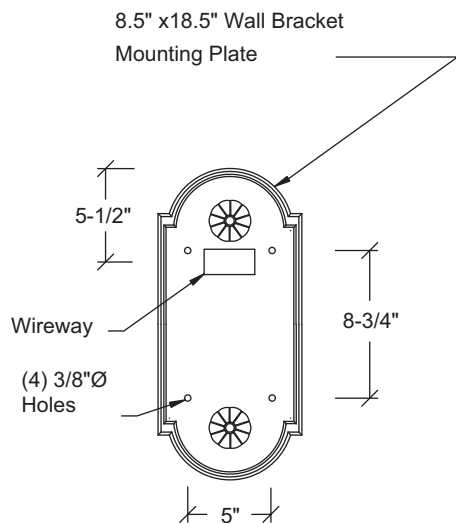
**Date:** Dec. 18, 2008

**Model:** CSH1759-OR-FP-15M-4-G3-HS120-(5)CHN-120-BLK

**Sheridan**  
lighting systems, inc.

Sheridan Lighting Systems, Inc.  
4 - 2525 Dunwin Dr  
Mississauga, ON L5L 1R9

T 905-369-0101      F 905-369-0102  
sales@sheridansys.com      www.sheridansys.com



**Luminaire:** heavy wall cast aluminum body with spun aluminum mid section

**Light source:** incandescent, 150W max

**Wattage:** 150W **Voltage:** 120V

**Socket:** medium, porcelain

**Lamp:** A (by others)

**Skirt:** spun aluminum

**Wall plate:** cast aluminum; mounting hardware by others

**Bracket:** extruded aluminum rectangle and pipe welded to a cast aluminum scroll

**IES Distribution:** type V

**Diffuser:** hinged, clear tempered acrylic, with tool-less access to lamp.

**Listing:** per UL 1598 "suitable for wet locations"

**Finish:** TGIC polyester powder coat

**Color:** five standard colors to choose from: black, green, grey, bronze and white. Other colors upon request.

**THE DEPOT REMODEL**  
St. Cloud, MN

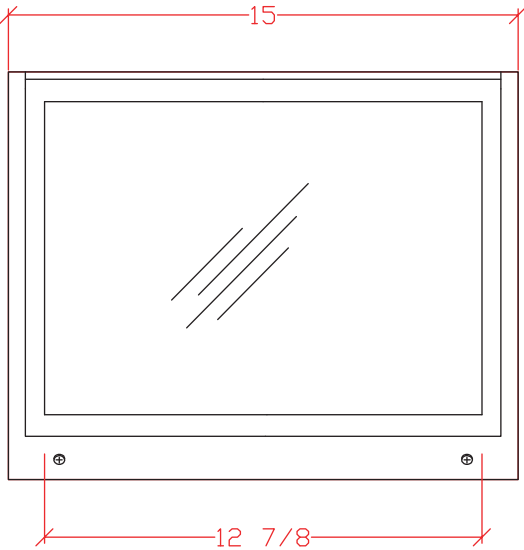
**Date:** Feb. 4, 2009

**Model:** CSH1617-CA-15INC-1-BA-SA01-W-COLOR

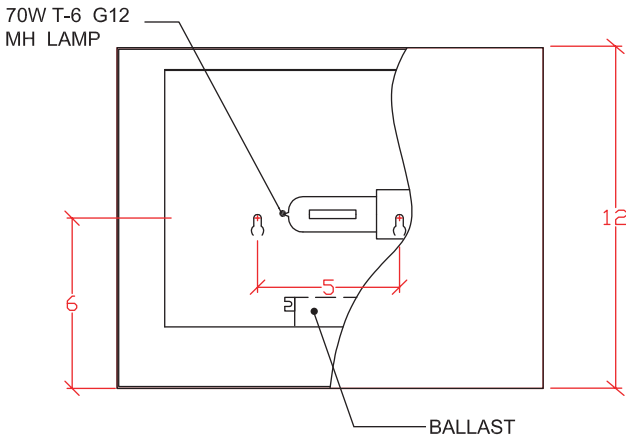
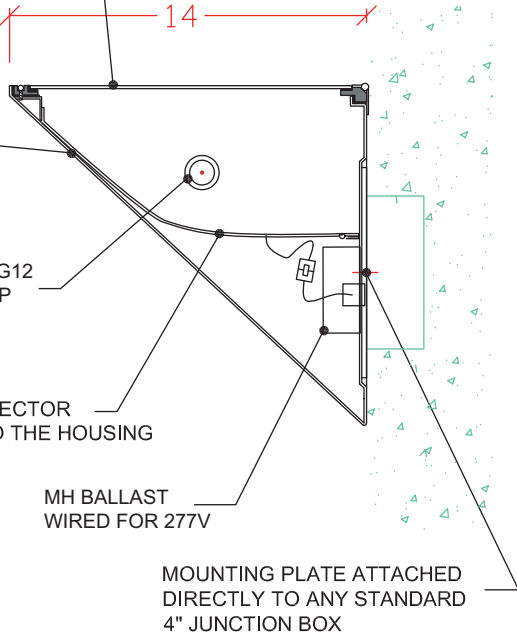
**Sheridan**  
lighting systems, inc.

Sheridan Lighting Systems, Inc.  
4-2525 Dunwin Dr  
Mississauga, ON L5L 1R9

T 905-369-0101 F 905-369-0102  
sales@sheridansys.com www.sheridansys.com



TEMPERED CLEAR GLASS  
RETAINED BY ONE PIECE FRAME



Catalog logic:  
 CSH - custom Sheridan head  
 1512 - approximate size 15" x 12"  
 CG - clear glass  
 70MH - 70W MH light source  
 R2 - IES type II reflector  
 CTM - custom finish

**Luminaire:** heavy wall fabricated aluminum body.

**Ballast:** MH, HPF, ANSI M98, with tool-less access and quick disconnects, mounted on a removable plate.

**Wattage:** 70W **Voltage:** 277V

**Socket:** G12 bi-pin, 5KV pulse rated

**Lamps:** one 70W T6 single ended ceramic metal halide (by others)

**Reflector:** segmented bright anodized aluminum.

**Diffuser:** hinged, clear tempered glass, with tool-less access to lamp.

**Mounting:** mounted to a standard JB via a mounting plate

**Listing:** per UL 1598 "suitable for wet locations"

**Ingress protection:** IP65

**Finish:** TGIC polyester powder coat

**Color:** four standard colors to choose from: black, green, bronze, grey and white. Custom colors extra.

**POPE JOHN PAUL II  
CATHOLIC HIGH**  
Type SD

**Date:** Dec. 8, 2008

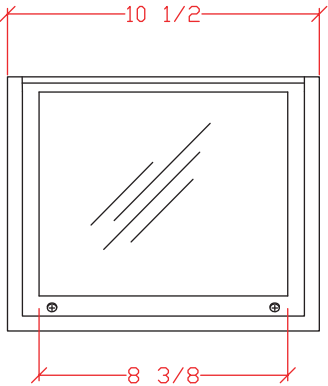
**Model:** CSH1512-CG-70MH-R2-CTM



Sheridan Lighting Systems, Inc.  
 4-2525 Dunwin Dr  
 Mississauga, ON L5L 1R9

T 905-369-0101 F 905-369-0102  
 sales@sheridansys.com www.sheridansys.com





TEMPERED CLEAR GLASS  
RETAINED BY ONE PIECE FRAME

9 5/8

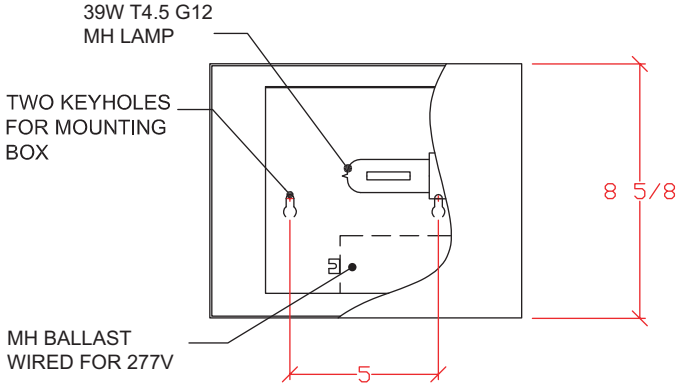
ALUMINUM ENCLOSURE  
BOX GIVES LUMINAIRE  
A CLEAN AND PRECISE LOOK

39W T4.5 G12  
MH LAMP

HINGED REFLECTOR  
ATTACHED TO THE HOUSING

MH BALLAST  
WIRED FOR 277V

MOUNTING PLATE ATTACHED  
DIRECTLY TO ANY STANDARD  
4" JUNCTION BOX



Catalog logic:  
  
 CSH - custom Sheridan head  
 1010 - approximate size 10" x 10"  
 CG - clear glass  
 39MH - 39W MH light source  
 R2 - IES type II reflector  
 CTM - custom finish

**Luminaire:** heavy wall fabricated aluminum body.

**Ballast:** MH magnetic, HPF, with tool-less access and quick disconnects, mounted on a removable plate.

**Wattage:** 39W **Voltage:** 277V

**Socket:** G12 bi-pin, 5KV pulse rated

**Lamps:** one 39W T4.5 single ended ceramic metal halide (by others)

**Reflector:** segmented bright anodized aluminum.

**Diffuser:** hinged, clear tempered glass, with tool-less access to lamp.

**Mounting:** mounted to a standard JB via a mounting plate

**Listing:** per UL 1598 "suitable for wet locations"

**Ingress protection:** IP65

**Finish:** TGIC polyester powder coat

**Color:** four standard colors to choose from: black, green, bronze, grey and white. Custom colors extra.

**POPE JOHN PAUL II  
CATHOLIC HIGH**

Type SL

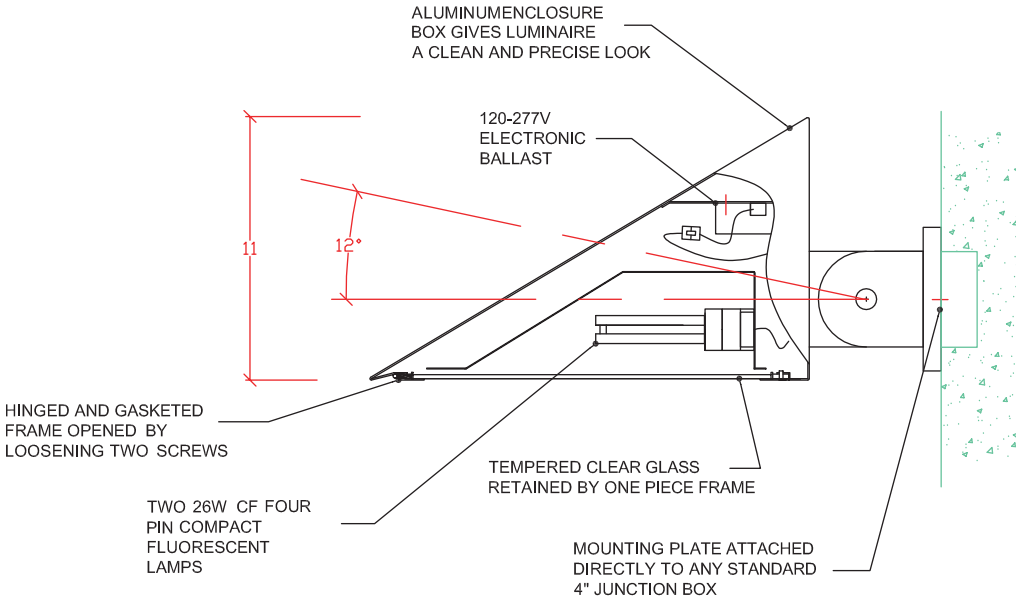
**Date:** Dec. 8, 2008

**Model:** CSH1010-CG-39MH-R2-CTM



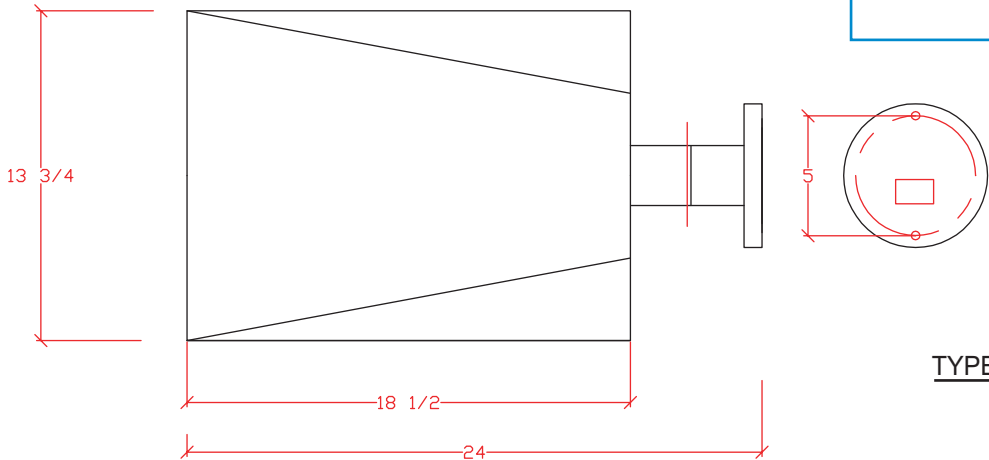
Sheridan Lighting Systems, Inc.  
4-2525 Dunwin Dr  
Mississauga, ON L5L 1R9

T 905-369-0101 F 905-369-0102  
sales@sheridansys.com www.sheridansys.com



Catalog logic:

CSH - custom Sheridan head  
 1318 - approximate size 13" x 18"  
 CG - clear glass  
 2X26CF - two 26W CFL lamps  
 R2 - IES type II reflector  
 CTM - custom finish



TYPE SC ALT

**Luminaire:** heavy wall fabricated aluminum body.

**Ballast:** 120V-277V electronic, with tool-less access and quick disconnects, mounted on a removable plate.

**Wattage:** 26W **Voltage:** 120V-277V

**Socket:** G24q-3

**Lamps:** two 26W triple compact fluorescent lamps with 4-pin base

**Reflector:** segmented bright anodized aluminum.

**Diffuser:** hinged, clear tempered glass, with tool-less access to lamp.

**Mounting:** cast aluminum wall bracket with 12 deg. vertical adjustment, mounted to a standard JB

**Listing:** per UL 1598 "suitable for wet locations"

**Ingress protection:** IP65

**Finish:** TGIC polyester powder coat

**Color:** four standard colors to choose from: black, green, bronze, grey and white. Custom colors extra.

**POPE JOHN PAUL II CATHOLIC HIGH**

**Date:** Dec. 8, 2008

**Model:** CSH1318-CG-2X26CF-R2-CTM

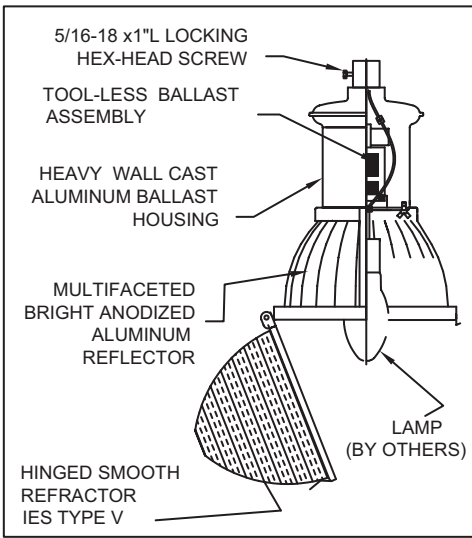


Sheridan Lighting Systems, Inc.  
 4-2525 Dunwin Dr  
 Mississauga, ON L5L 1R9

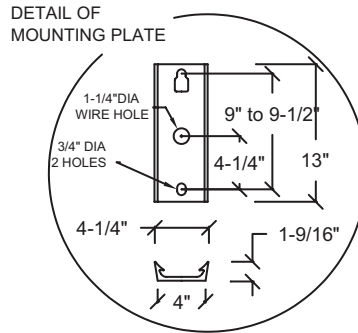
T 905-369-0101 F 905-369-0102  
 sales@sheridansys.com www.sheridansys.com

PD701294

EXCELSIOR AND GRAND



LUMINAIRE DETAIL VIEW



LUMINAIRE

**Ballast housing:** heavy wall cast aluminum body.

**Ballast:** HPS high power factor, multi (quad) tap, ANSI S62, with tool-less access and quick disconnects, mounted on a removable plate.

**Wattage:** 70W **Voltage:** PLEASE ADVISE

**Socket size:** medium

**Lamp size:** BD17 (lamps by others)

**Reflector:** multifaceted bright anodized aluminum.

**Diffuser:** hinged, clear prismatic UV stabilized acrylic, with tool-less access to lamp via a side latch.

**IES Distribution:** type V

**Listing:** UL 1598 or ETL "suitable for wet locations"

MOUNTING ARM

**Material:** 60 mm (2-3/8") x 5 mm (3/16") thick aluminum tubing.

**Scroll:** 38 mm (2") x 9 mm (3/8") thick flat bar.

**Finial, luminaire mounting:** cast aluminum spike finial with a ball and a slip fitter. Luminaire is secured with three set screws and one security bolt.

**Configuration:** single. For twin configuration simply order additional arms and/or heads.

**Wall plate:** extruded aluminum channel welded to the arm

**Mounting hardware:** by others

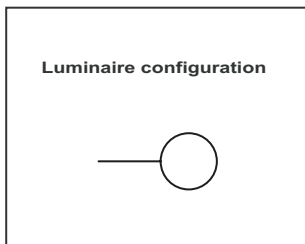
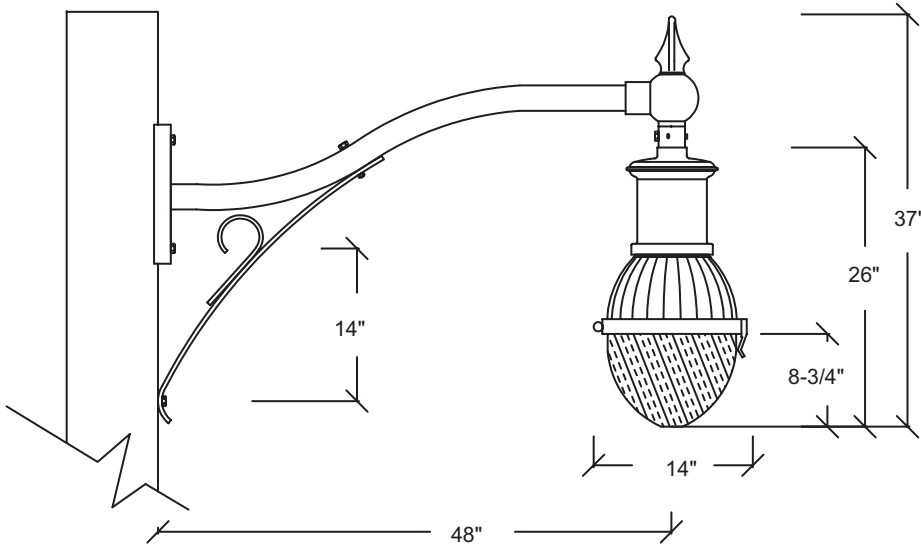
**Finish:** TGIC polyester powder coat

**Color:** black

**Date:** Mar. 3, 2007

**Drawing:** 701293 rev 1

**Model:** SH90-PA5-7H-VOLT-SA520-A-MOD-BLK



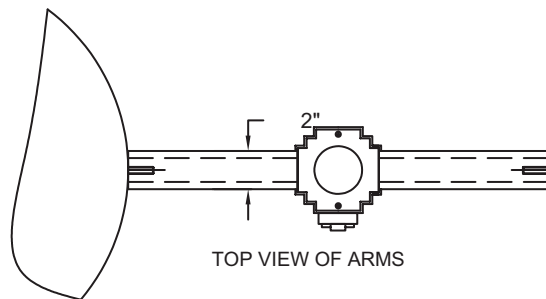
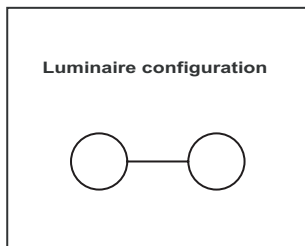
Luminaire configuration

**NOTE:** for twin configuration simply order double the number of arms/heads

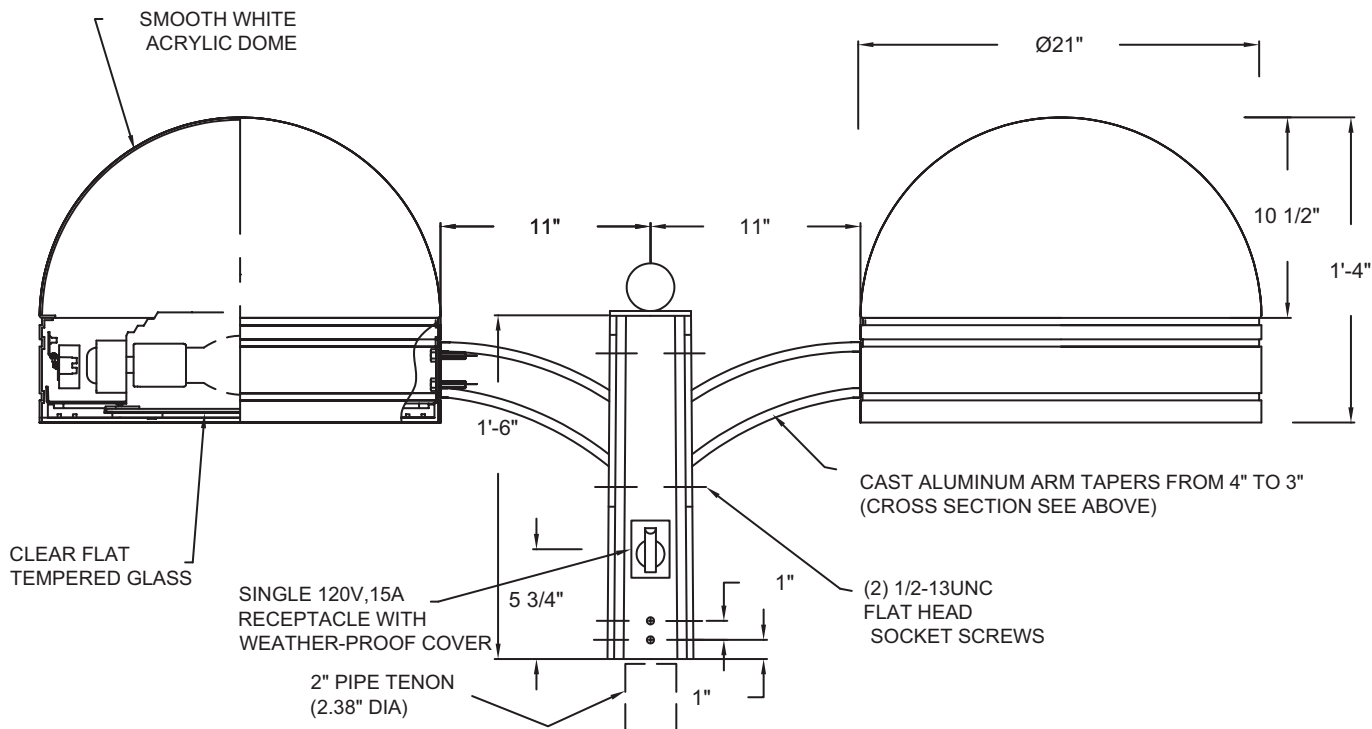
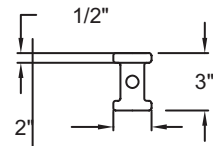
Sheridan  
lighting systems, inc.

Sheridan Lighting Systems, Inc.  
3500 Glen Erin Dr, Unit 44  
Mississauga, ON L5L 1W6

T 905-369-0101 F 905-369-0102  
sales@sheridansys.com www.sheridansys.com



CROSS SECTION THRU ARM



**LUMINAIRES**

**Dome:** smooth opal white acrylic sealed to housing, with uplight component

**Housing:** profiled aluminum extrusion

**Ballast:** HPS high power factor, multi (quad) tap, ANSI S62, with tool-less access and quick disconnects, mounted on a removable plate.

**Wattage:** 70W **Voltage:** PLEASE ADVISE

**Socket size:** medium

**Lamp size:** BD17 (lamps by others)

**Diffuser:** clear tempered glass encased in injection molded thermoplastic hinged door, secured with two 1/4 turn fasteners.

**Reflector:** multifaceted bright anodized aluminum reflector with opening for uplight; field rotateable every 90 degrees.

**IES Distribution:** type III

**Photocell:** none

**TWIN ARM**

**Material:** cast aluminum curved twin arm mechanically assembled to a central pole cast aluminum column. The central column comes complete with a cast aluminum top cap and ball, and slip fits onto a 2-3/8" OD x 4"H pole tenon.

**Receptacle:** single receptacle with weather-proof cover. To be wired by contractor.

**Mounting hardware:** included

**Finish:** TGIC polyester powder coat

**Color:** custom brown to match existing

**EXCELSIOR BOULEVARD  
STREETSCAPE**

**Date:** Mar. 1, 2007

**Drawing:** 703011 rev 0

**Model:** (2) SH65-CG-7H-QT-HR3-UC-SAX-B-SRC-BRZ (custom)

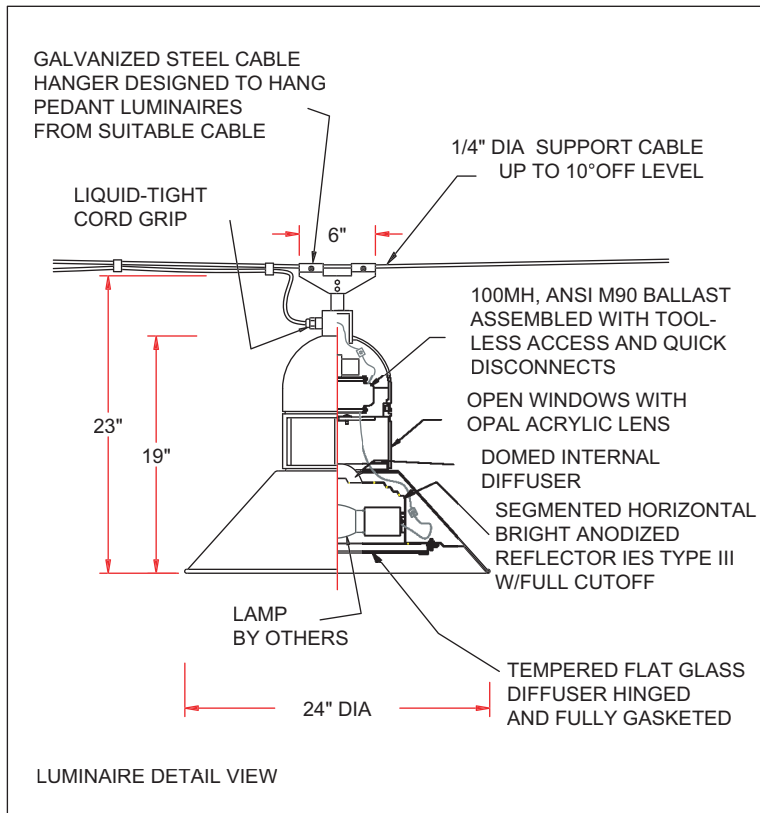
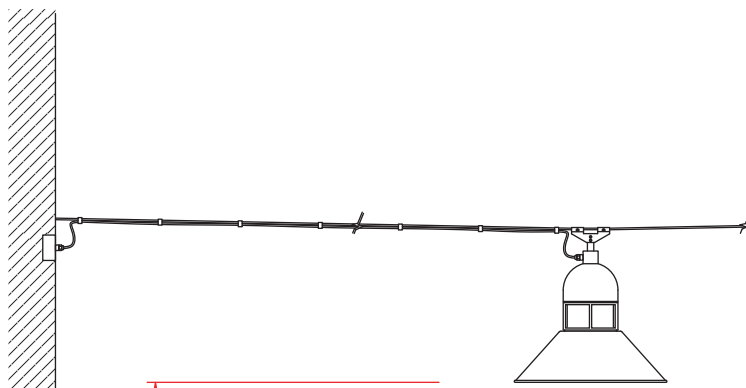
**Sheridan**  
lighting systems, inc.

Sheridan Lighting Systems, Inc.  
3500 Glen Erin Dr, Unit 44  
Mississauga, ON L5L 1W6

T 905-369-0101 F 905-369-0102  
sales@sheridansys.com www.sheridansys.com

PD95111

**FRIENDS CHRISTIAN SCHOOL**



**Ballast chamber:** heavy wall cast aluminum, with four windows in the lower section, with an opal acrylic lens and a domed diffuser installed on the reflector system to allow for soft glow thru the windows

**Decorative skirt:** spun aluminum, permanently attached to the domed ballast chamber.

**Diffuser:** hinged, clear tempered flat glass

**Optics:** segmented horizontal bright anodized reflector IES type III.

**Ballast:** pulse start 100W MH, ANSI M90, multi (quad) tap, wired for \_\_\_V, with tool-less access and quick disconnects, mounted on a removable plate within the luminaire.

**Socket size:** mogul, porcelain, 4KV pulse rated

**Lamp:** ED28 (by others)

**Finish:** TGIC polyester powder coat

**Color:** color by architect. Five standard colors to choose from: black, green, bronze, white and grey. Other colors available upon request.

**Date:** May 11, 2009

**Model:** SH82-CG-WA-10M-VOLT-HR3-CBL-COLOR

**Sheridan**  
lighting systems, inc.

Sheridan Lighting Systems, Inc.  
4 - 2525 Dunwin Dr  
Mississauga, ON L5L 1R9

T 905-369-0101 F 905-369-0102  
sales@sheridansys.com www.sheridansys.com

PD95262

**ALLEN EVENT CENTER**

Type S7

**Contemporary stainless steel lighted bollard.**

**Body:** 6"OD x 0.109"thk 304 stainless steel tube

**Lamps:** two 14W T5 (by others)

**Ballast:** electronic, with quick disconnects

**Voltage:** 120V

**Socket:** mini bipin

**Lens:** opal white polycarbonate

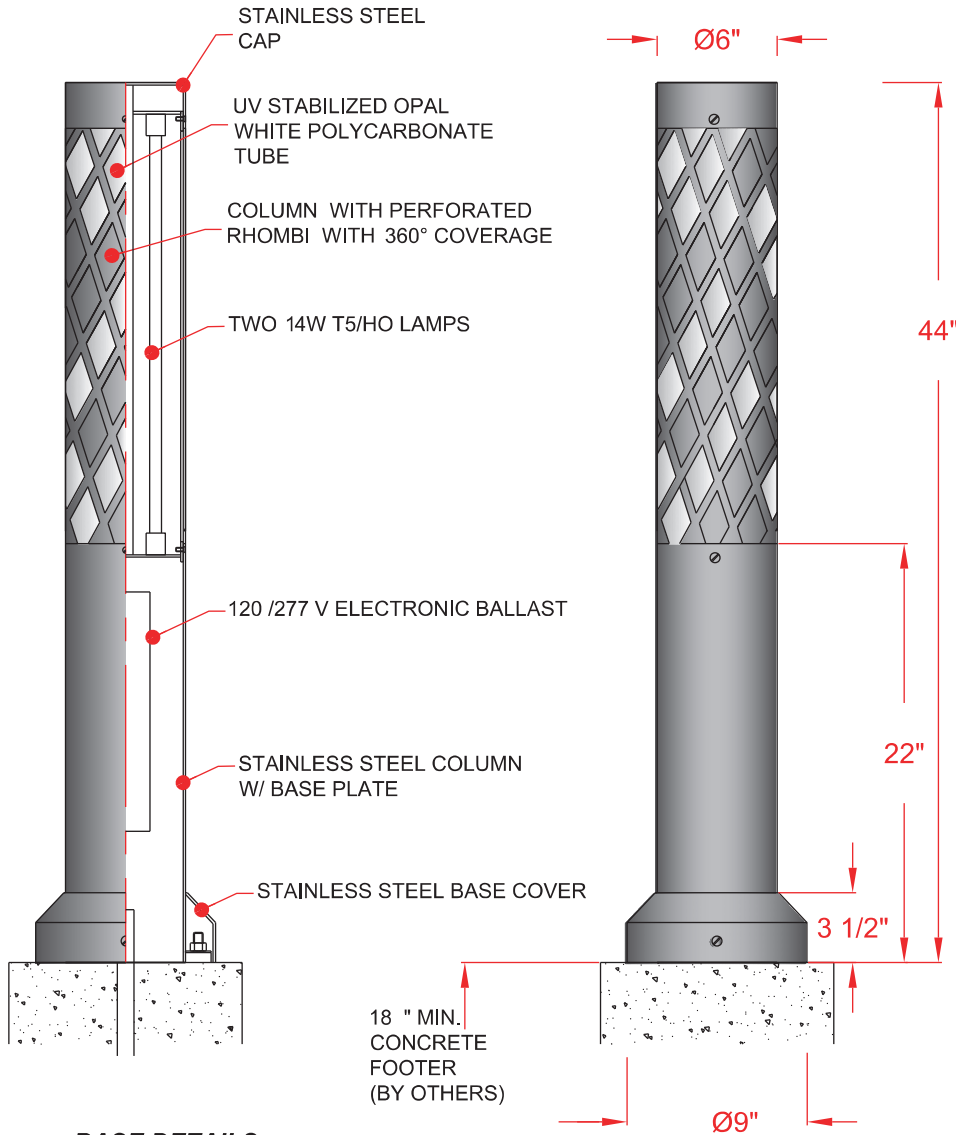
**Shield:** staggered rhombi, 360 deg. coverage, as per submittal.

**Base cover:** stainless steel slip over.

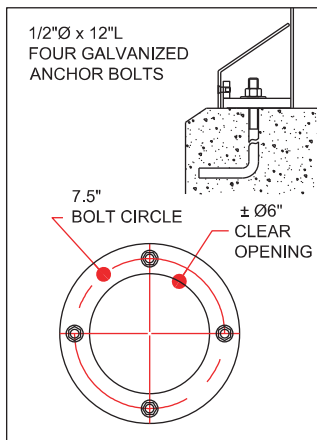
**Installation:** four 1/2"OD x 12"L galvanized steel anchor bolts with two nuts and two washers per bolt, installed on 7 1/2" bolt circle

**Listing:** per UL 1598 "suitable for wet locations"

**Finish:** satin



**BASE DETAILS:**



**Date:** May 26, 2009

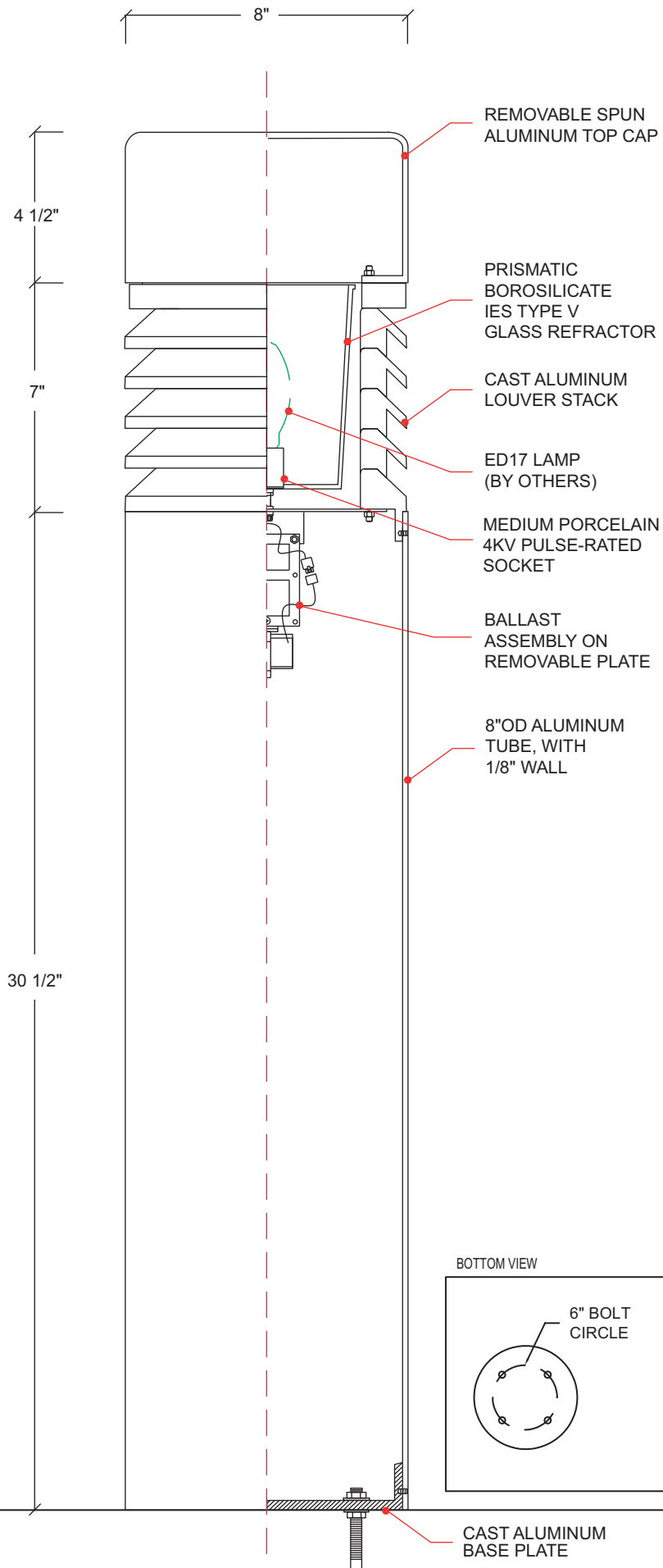
**Model:** CSB6044SS-WP-224F

**Sheridan**  
lighting systems, inc.

Sheridan Lighting Systems, Inc.  
4 - 2525 Dunwin Dr  
Mississauga, ON L5L 1R9

T 905-369-0101 F 905-369-0102  
sales@sheridansys.com www.sheridansys.com

PD96254.1



### BAYLOR CC

**Removable top:** heavy-wall spun aluminum

**Louvers:** cast aluminum

**Ballast:** high power factor pulse start metal halide ANSI M110, multi-tap, mounted on a removable plate, with quick disconnects.

**Wattage:** 50W

**Wired voltage:** ADVISE.

**Socket:** medium porcelain, 4KV pulse-rated

**Lamp:** ED17 (by others)

**Optics:** IES type V borosilicate glass refractor

**Body:** 8"OD aluminum tube, 1/8" wall

**Base plate:** cast aluminum

**Listing:** per UL 1598 "suitable for wet locations".

**Installation:** four 17"L x 1/2"OD galvanized steel "L" bolts with 3" hook and 3" projection, installed on 6" bolt circle. Steel templates, bolts and two nuts and two washers per bolt included.

**Finish:** TGIC smooth semi-gloss polyester powder coat

**Color:** five standard colors to choose from: black (BLK), white (WHT), green (GRN), bronze (BRZ) and grey (GRY). Other colors extra.

**Date:** Sep. 9, 2009

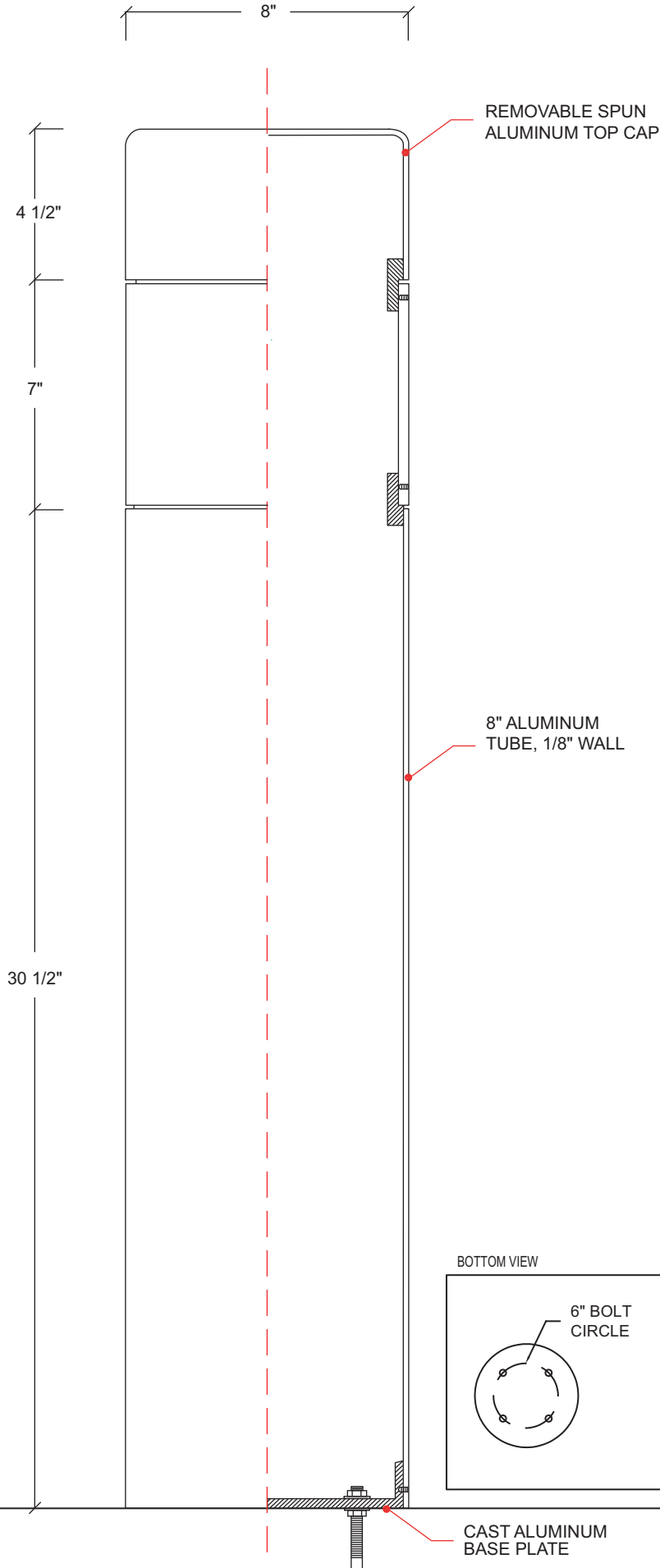
**Model:** CSB8542-5M-1-R5-COLOR

**Sheridan**  
lighting systems, inc.

Sheridan Lighting Systems, Inc.  
4-2525 Dunwin Dr  
Mississauga, ON L5L 1R9

T 905-369-0101 F 905-369-0102  
sales@sheridansys.com www.sheridansys.com

PD96255.1



## BAYLOR CC

**Removable top:** cast aluminum

**Body:** 8" aluminum tube, 1/8" wall

**Base plate:** cast aluminum

**Installation:** four 17"L x 1/2"OD galvanized steel "L" bolts with 3" hook and 3" projection, installed on 6" bolt circle. Steel templates, bolts and two nuts and two washers per bolt included.

**Finish:** TGIC smooth semi-gloss polyester powder coat

**Color:** five standard colors to choose from: black (BLK), white (WHT), green (GRN), bronze (BRZ) and grey (GRY). Other colors extra.

**Date:** Sep. 9, 2009

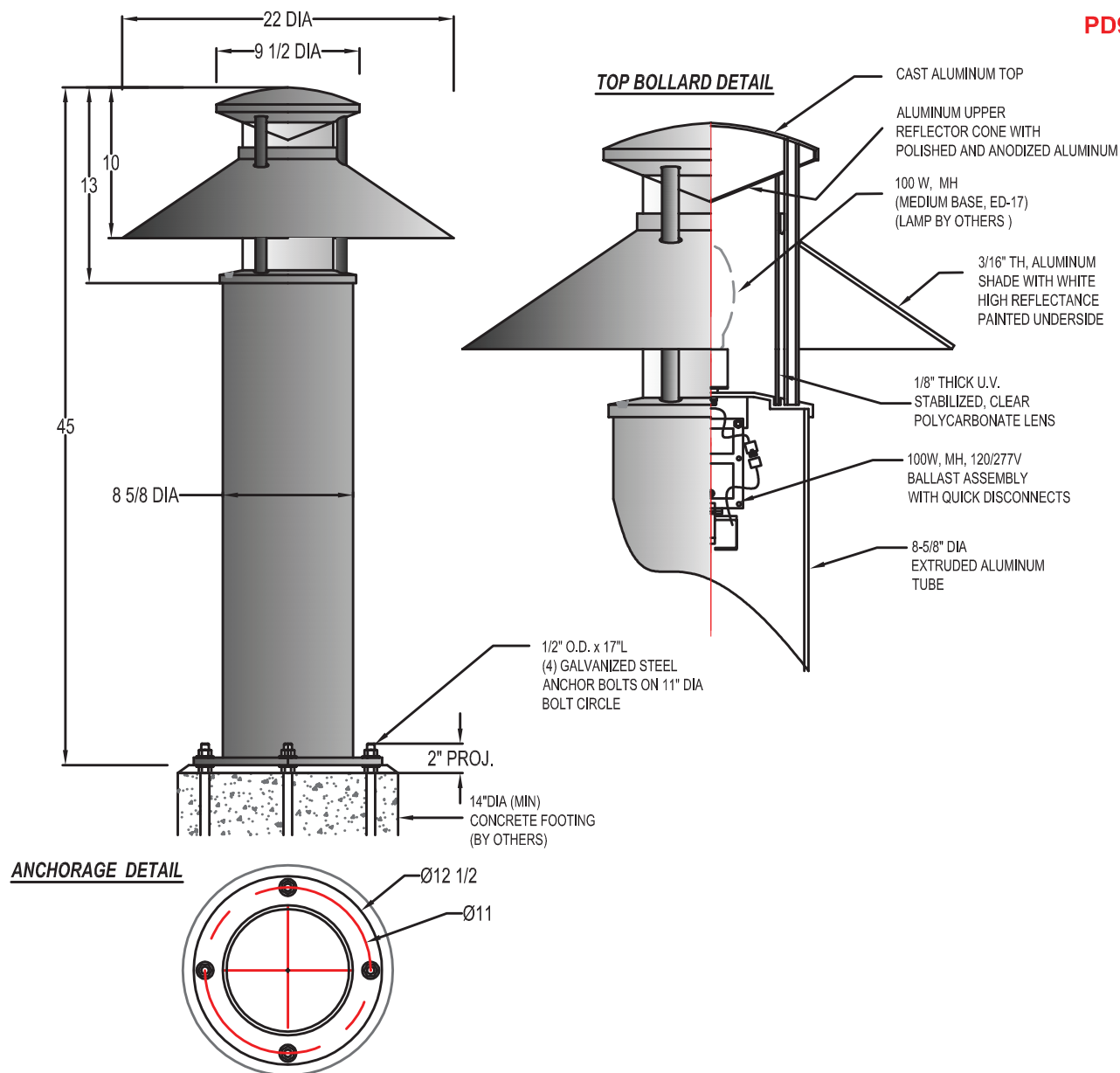
**Model:** CSB8542-COLOR

**Sheridan**  
lighting systems, inc.

Sheridan Lighting Systems, Inc.  
4-2525 Dunwin Dr  
Mississauga, ON L5L 1R9

T 905-369-0101 F 905-369-0102  
sales@sheridansys.com www.sheridansys.com





**Luminaire:**  
 cast aluminum dome and 3/16" wall thick spun aluminum shade.

**Ballast:**  
 ANSI M90 pulse start metal halide, with quick disconnects, mounted on a removable plate.

**Wattage:**  
 100W

**Socket:**  
 medium porcelain, 4 kV

**Lamp:**  
 ED17 (by others)

**Reflector:**  
 anodized aluminum cone

**Diffuser:**  
 clear U.V. stabilized polycarbonate tube, fully gasketed.

**Listing:**  
 per UL "1598" suitable for wet locations.

**Finish:**  
 smooth semi-gloss TGIC polyester powder coat

**Color:**  
 grey and white (other colors extra)

**VINCO NURSING HOME**  
**Fergus Falls, MN**

**Date:**  
 Sep.15, 2009

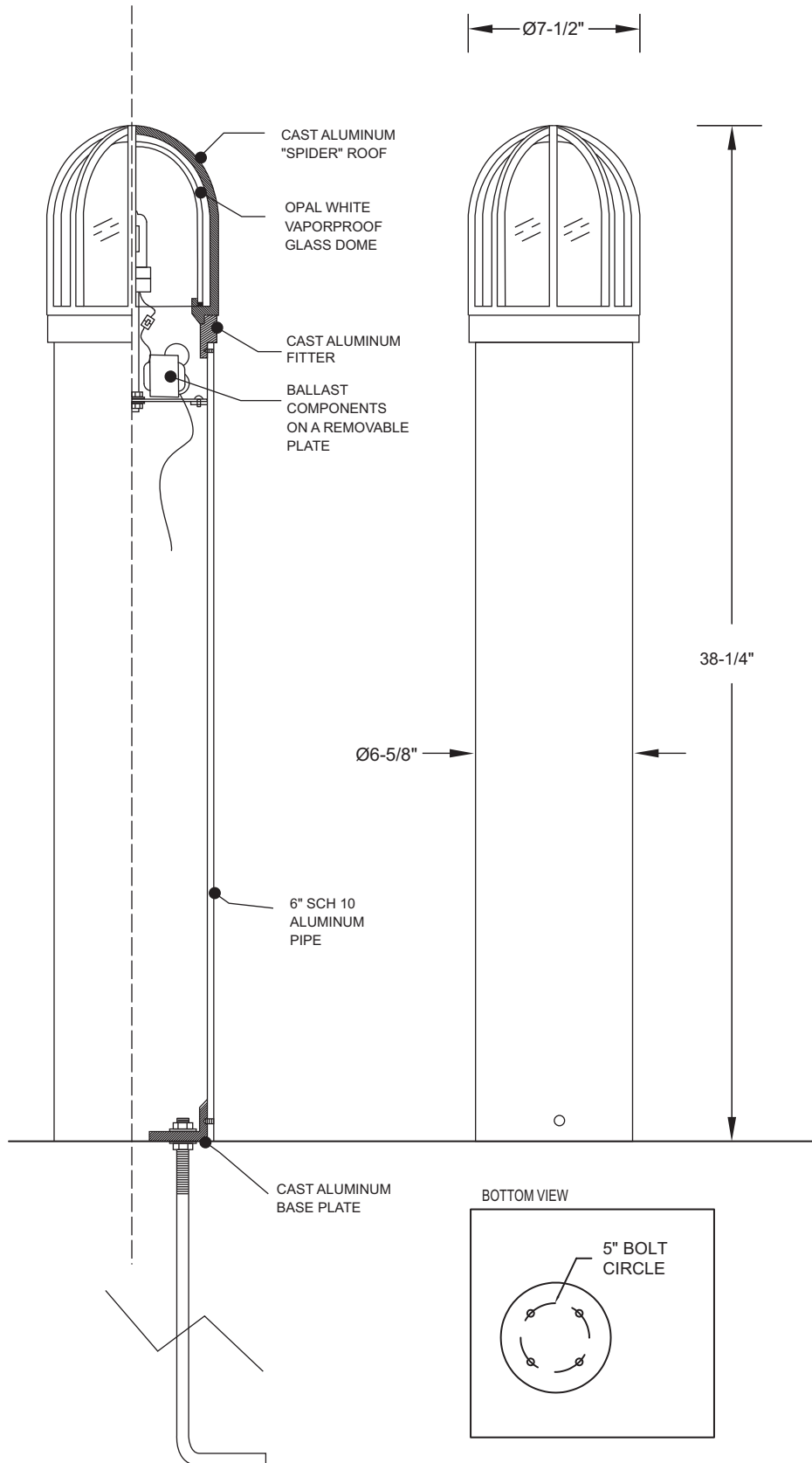
**Model:**  
 CSB2245-CP-1M-VOLT-COLOR



Sheridan Lighting Systems, Inc.  
 4-2525 Dunwin Dr  
 Mississauga, ON L5L 1R9

PD397641

**PENN COLLEGE  
OF TECHNOLOGY**



**Top:** sand cast aluminum "spider" cover.

**Diffuser:** elongated opal vaporproof glass globe

**Slip fitter:** cast aluminum

**Optics:** bare lamp

**Socket:** G12

**Lamp:** 70W bi-pin T6 (by others).

**Ballast:** 70W MH M85 multi- (quad) tap, with quick disconnects, mounted on a removable plate.

**Bollard body:** 6" SCH 10 aluminum pipe (6.625"OD). Bollard secures to anchor base with four tamper resistant bolts.

**Anchor bolts:** four 17"L x 1/2"OD galvanized steel bolts with 3" hook and 3" projection, with two nuts and two washers each and a steel template to install bolts on 5" bolt circle.

**All exposed hardware:** stainless steel.

**Finish:** TGIC polyester powder coat

**Color:** five standard colors to choose from: black, white, green, bronze and grey. Custom colors extra.

**Date:** Nov. 12, 2008

**Model:** CSB7539-WG-BA-7M-V-COLOR

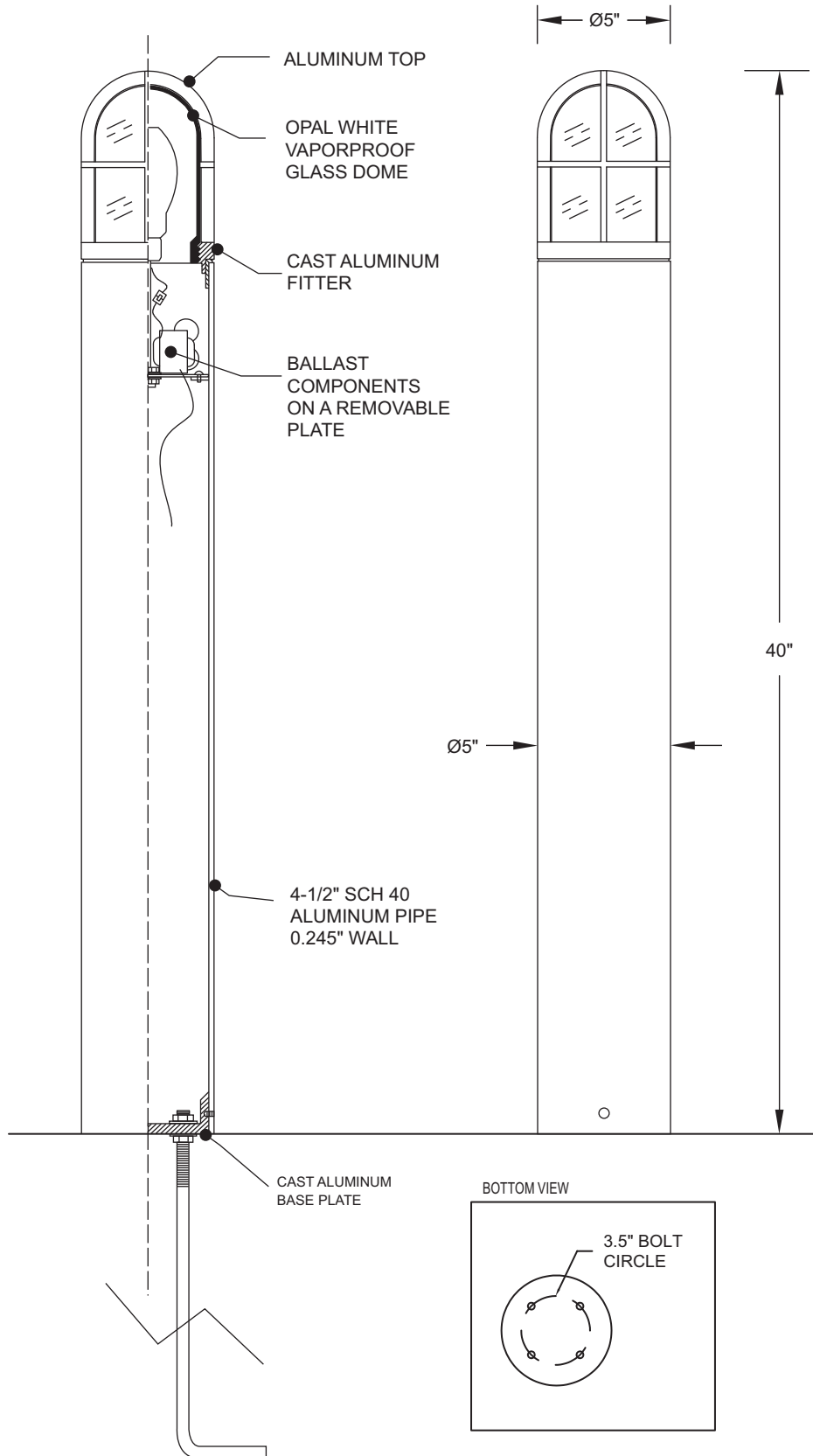
**Sheridan**  
lighting systems, inc.

Sheridan Lighting Systems, Inc.  
4-2525 Dunwin Dr  
Mississauga, ON L5L 1R9

T 905-369-0101 F 905-369-0102  
sales@sheridansys.com www.sheridansys.com

PD397641.1

**PENN COLLEGE  
OF TECHNOLOGY**



**Top:** laser cut, jig welded and ground smooth removable aluminum top cover.

**Diffuser:** elongated opal vaporproof glass globe

**Slip fitter:** cast aluminum

**Optics:** bare lamp

**Socket:** medium 4kV pulse rated porcelain

**Lamp:** ED17 (by others).

**Ballast:** 50W MH M110 multi- (quad) tap, with quick disconnects, mounted on a removable plate.

**Bollard body:** 4.5" SCH 40 aluminum pipe (5"OD). Bollard secures to anchor base with four tamper resistant bolts.

**Anchor bolts:** four 17"L x 1/2"OD galvanized steel bolts with 3" hook and 3" projection, with two nuts and two washers each and a steel template to install bolts on 3.5" bolt circle.

**All exposed hardware:** stainless steel.

**Finish:** TGIC polyester powder coat

**Color:** five standard colors to choose from: black, white, green, bronze and grey. Custom colors extra.

**Date:** Nov. 25, 2008

**Model:** CSB5040-WG-BA-7M-V-COLOR

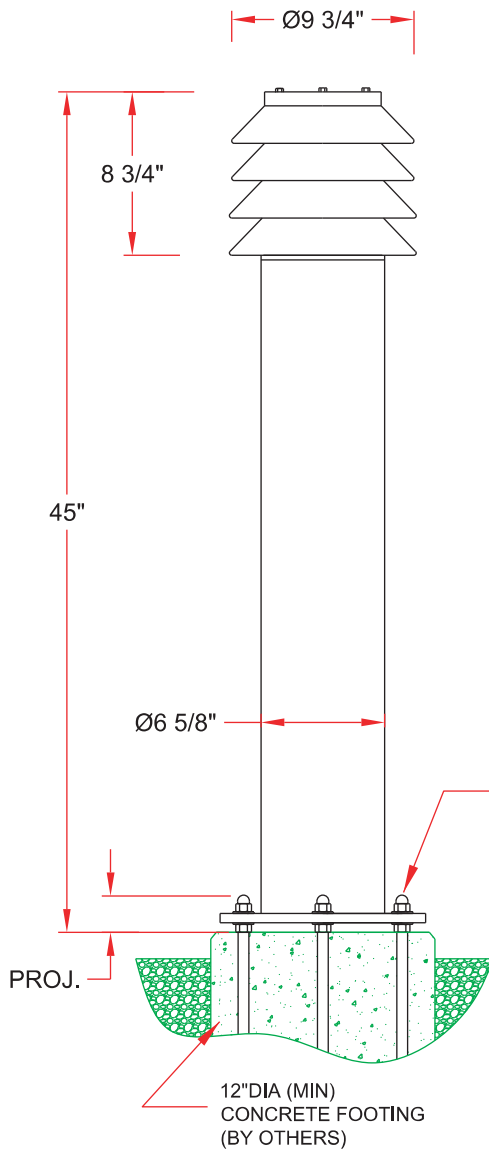
**Sheridan**  
lighting systems, inc.

Sheridan Lighting Systems, Inc.  
4-2525 Dunwin Dr  
Mississauga, ON L5L 1R9

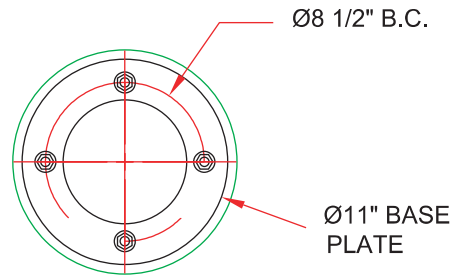
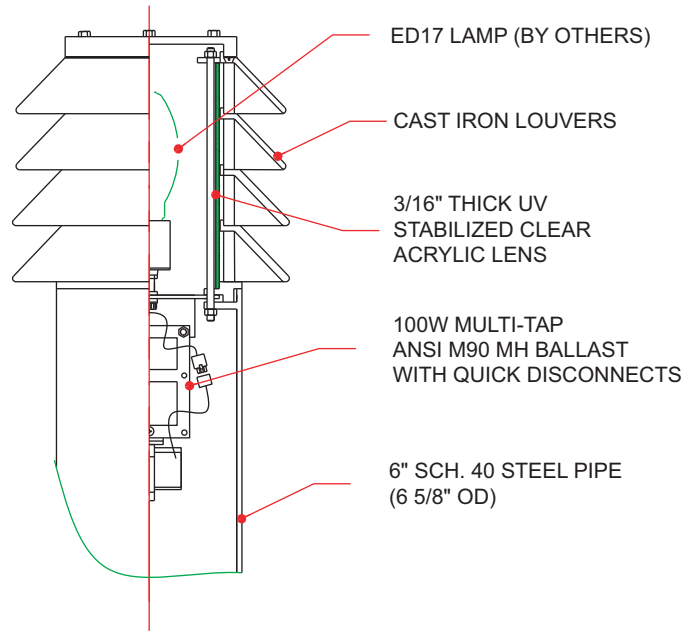
T 905-369-0101 F 905-369-0102  
sales@sheridansys.com www.sheridansys.com

PD94101

TOP BOLLARD DETAIL



1/2" O.D. x 17"L  
(4) GALVANIZED STEEL  
ANCHOR BOLTS ON  
A 8.50" DIA BOLT CIRCLE



ANCHORAGE DETAIL

**Top and louvers:** cast iron.

**Ballast:** high power factor pulse start metal halide ANSI M90, multi-tap

**Wattage:** 100W

**Wired voltage:** ADVISE.

**Socket:** medium porcelain, 4KV pulse-rated

**Lamp:** ED17 (by others)

**Diffuser:** UV stabilized clear acrylic

**Optics:** bare lamp obscured by external cast iron louvers

**Body:** 6" sch. 40 Corten® steel pipe welded to a cast iron base plate; no base cover

**Listing:** per UL 1598 "suitable for wet locations".

**Installation:** four 17"L x 1/2"OD galvanized steel "L" bolts with 3" hook and 3" projection, installed on 8 1/2" bolt circle. Steel templates, bolts and two nuts and two washers per bolt included.

**Finish:** naturally weathering steel.

**Color:** naturally weathering steel

**NOTE:** Corten® is a registered trademark of United States Steel Corporation

**THE MEADOWS**

**Date:** Apr. 10, 2009

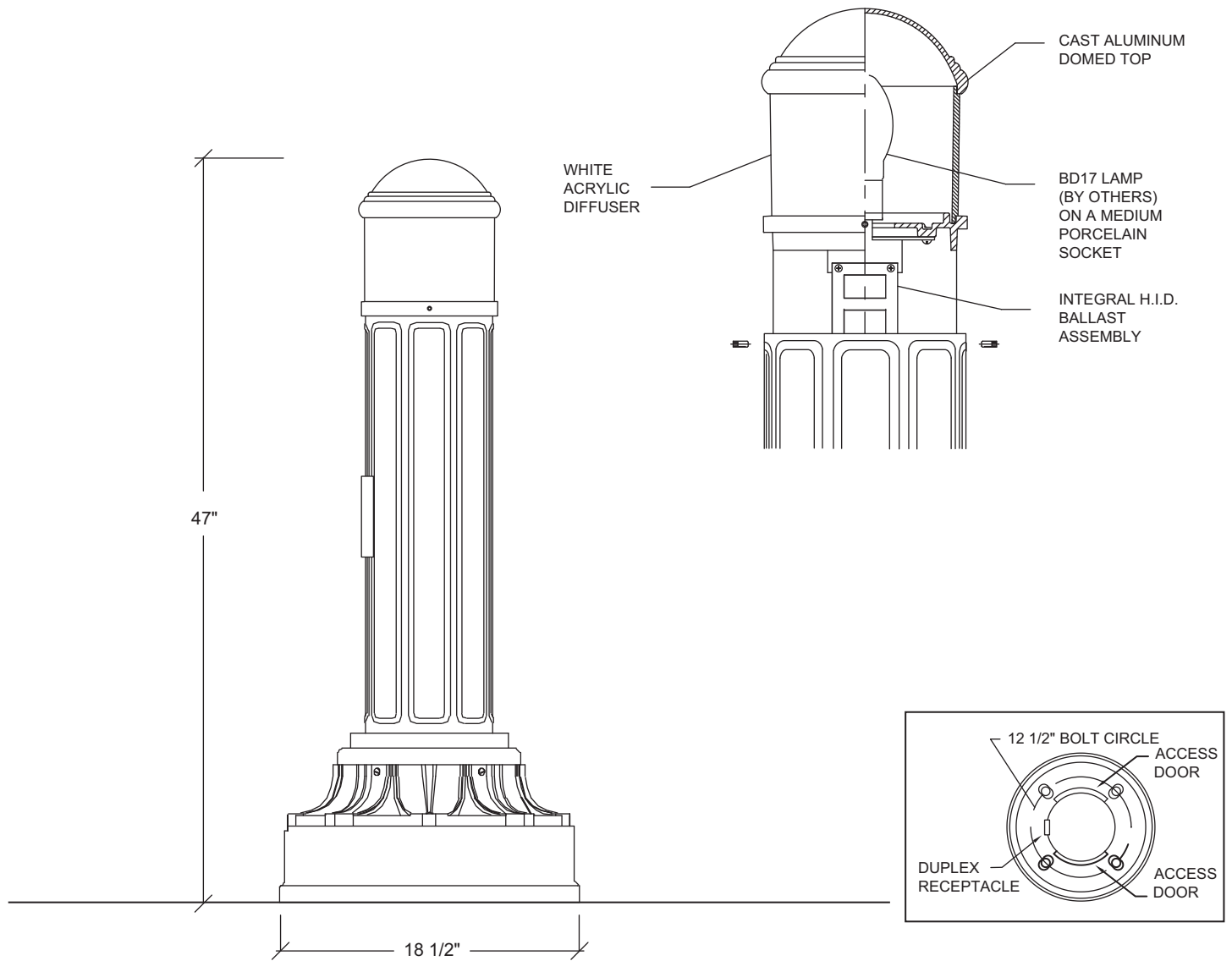
**Model:** CSB1145-CA-1M-4-BA-LV-RSCC

**Sheridan**  
lighting systems, inc.

Sheridan Lighting Systems, Inc.  
4-2525 Dunwin Dr  
Mississauga, ON L5L 1R9

T 905-369-0101 F 905-369-0102  
sales@sheridansys.com www.sheridansys.com

PD9521



**Top:** cast aluminum

**Ballast:** high power factor high pressure sodium ANSI S62, multi-tap, with quick disconnects

**Wattage:** 70W **Voltage:** ADVISE.

**Socket:** medium porcelain, 4KV pulse-rated

**Lamp:** BD17 (by others)

**Diffuser:** UV stabilized white acrylic

**Optics:** bare lamp

**GFI:** semi-recessed duplex GFI @ 24" to center. Receptacle and cover included; to be wired by others.

**Body:** cast aluminum, with two access doors in the bottom of the base.

**Listing:** per UL 1598 "suitable for wet locations".

**Installation:** four 17"L x 3/4"OD galvanized steel "L" bolts with 3" hook and 3" projection, installed on 12 1/2" bolt circle. Steel templates, bolts and two nuts and two washers per bolt included.

**Finish:** TGIC powder coat

**Color:** smooth semi-gloss black

### NORTH LIBERTY 965

**Date:** May 2, 2009

**Model:** CSB18547-WA-7H-VOLT-BA-GFI-BLK

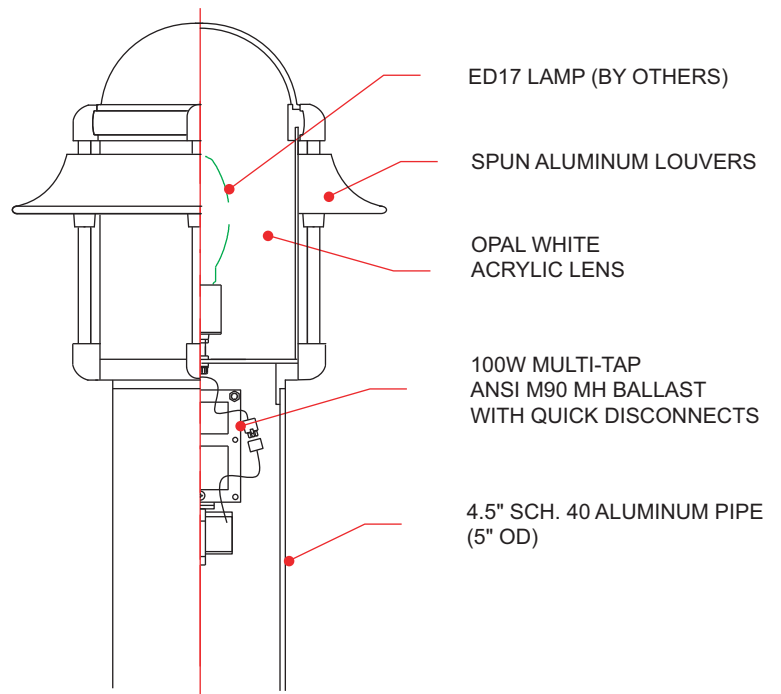
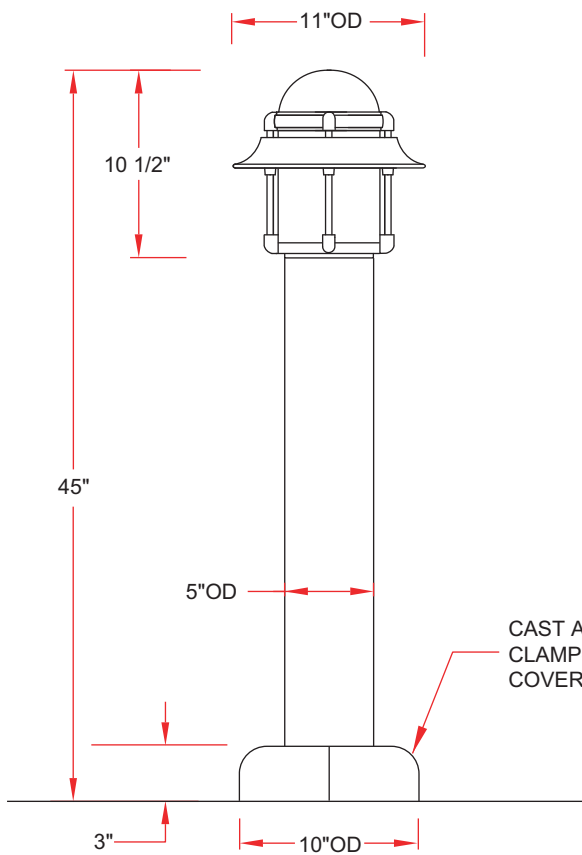
**Sheridan**  
lighting systems, inc.

Sheridan Lighting Systems, Inc.  
4-2525 Dunwin Dr  
Mississauga, ON L5L 1R9

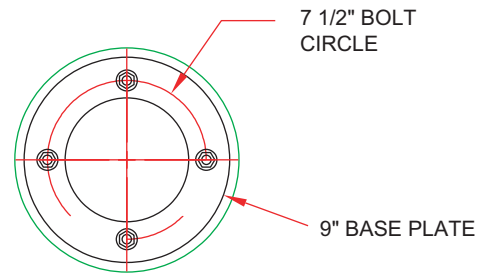
T 905-369-0101 F 905-369-0102  
sales@sheridansys.com www.sheridansys.com

PD94274.1

TOP BOLLARD DETAIL



CAST ALUMINUM CLAMP-ON BASE COVER



ANCHORAGE DETAIL

**Top:** cast aluminum

**Struts:** extruded aluminum

**Louver:** extruded aluminum

**Ballast:** high power factor pulse start metal halide ANSI M90, multi-tap, with quick disconnects

**Wattage:** 100W **Voltage:** ADVISE.

**Socket:** medium porcelain, 4KV pulse-rated

**Lamp:** ED17 (by others)

**Diffuser:** UV stabilized white acrylic

**Optics:** bare lamp

**Body:** 4.5" sch. 40 aluminum pipe (5"OD) welded to a cast aluminum base plate. Finished with a cast aluminum split base cover.

**Listing:** per UL 1598 "suitable for wet locations".

**Installation:** four 17"L x 1/2"OD galvanized steel "L" bolts with 2" hook and 2" projection, installed on 7 1/2" bolt circle. Steel templates, bolts and two nuts and two washers per bolt included.

**Finish:** TGIC powder coat

**Color:** color by architect. Five standard colors to choose from: black, green, bronze, white and grey. Other colors available upon request.

**CAMP DODGE**

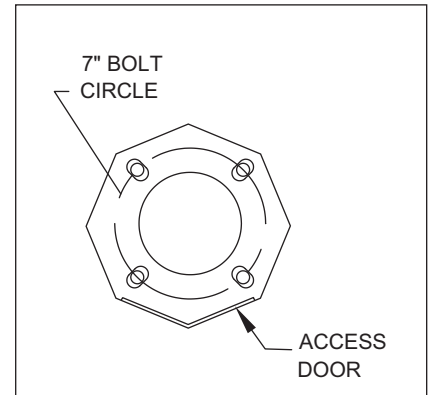
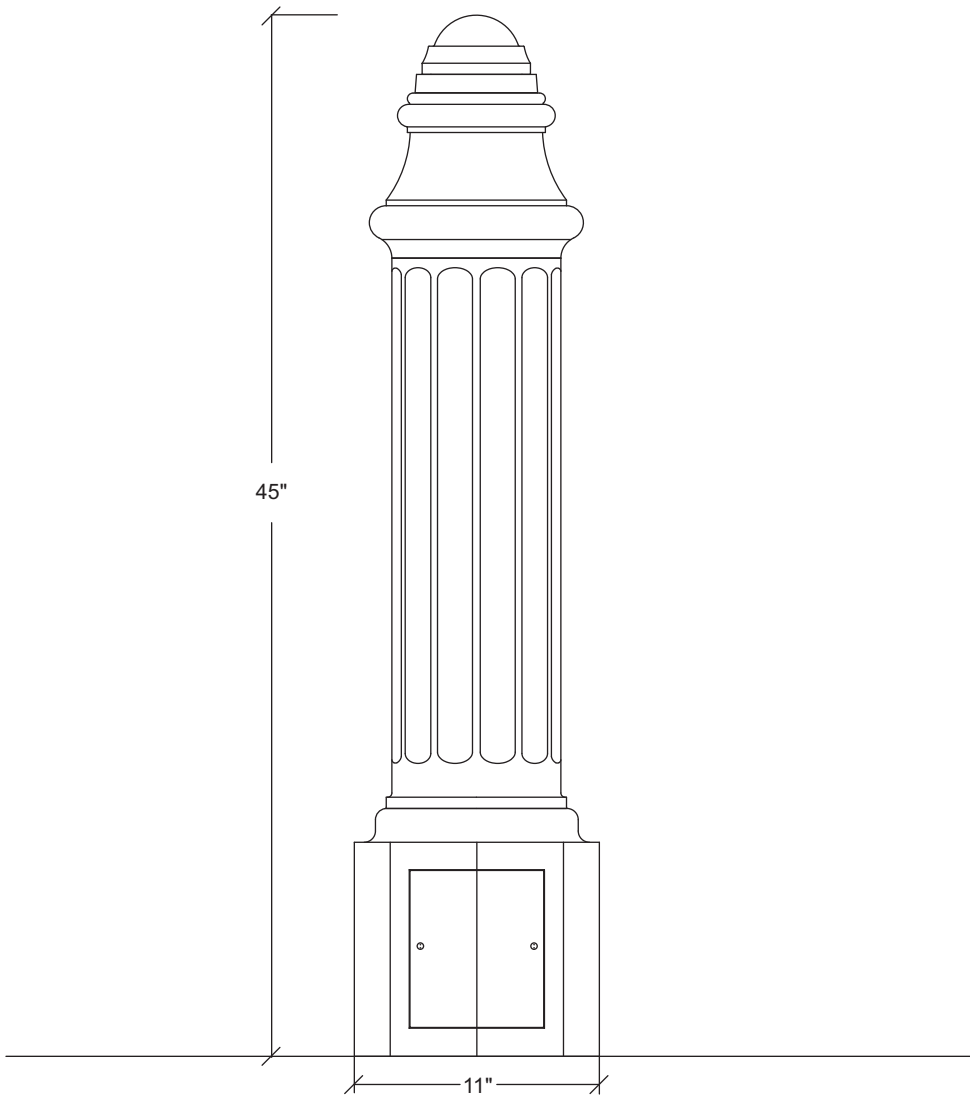
**Date:** May 1, 2009

**Model:** CSB1145-WA-1M-4-BA-COLOR

**Sheridan**  
lighting systems, inc.

Sheridan Lighting Systems, Inc.  
4-2525 Dunwin Dr  
Mississauga, ON L5L 1R9

T 905-369-0101 F 905-369-0102  
sales@sheridansys.com www.sheridansys.com



**Bollard:** one-piece cast aluminum with oversized cast aluminum access door and integral base plate. Topped with a hemisphere welded to the body of the bollard. Shaft features decorative flutes. Base is octagonal in shape.

**Access door:** oversized cast aluminum access door for ease of anchoring, secured with tamper resistant s/s hardware.

**Anchor bolts:** four 17"L x 3/4"OD galvanized steel 55ksi min. yield bolts with 3" hook and 3" projection, with two nuts and two washers each and a steel template to install bolts on 7" bolt circle. Bolts, nuts, washers and templates included.

**All exposed hardware:** stainless steel

**Finish:** TGIC polyester powder coat

**Color:** standard smooth semi-gloss black

**TOWN OF CUMBERLAND**

**Date:** Jun. 24, 2009

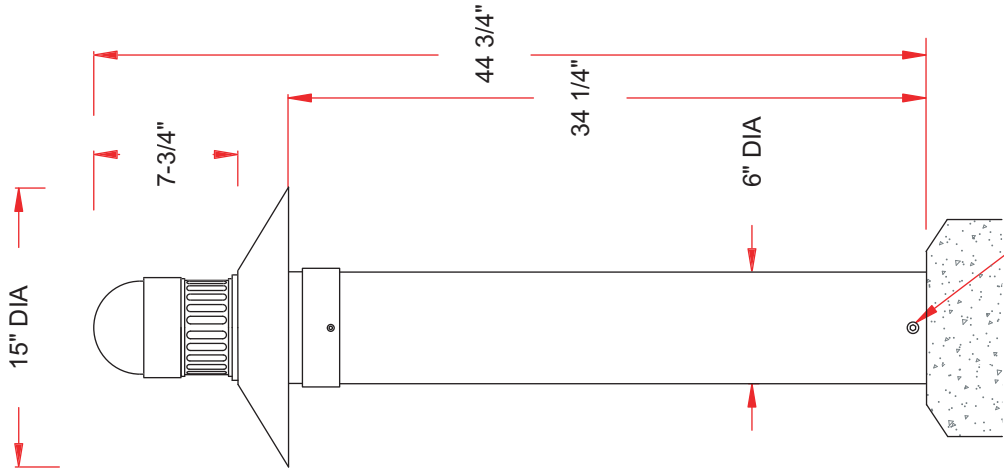
**Model:** CSB1145-HS-BLK

**Sheridan**  
lighting systems, inc.

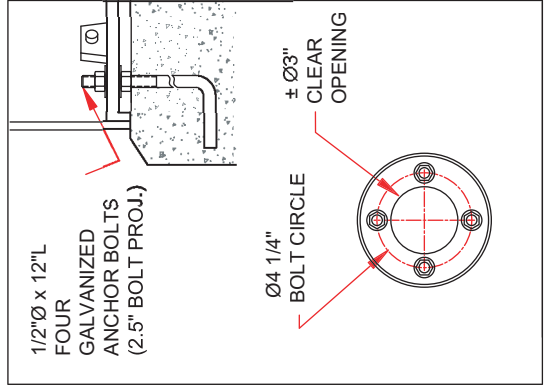
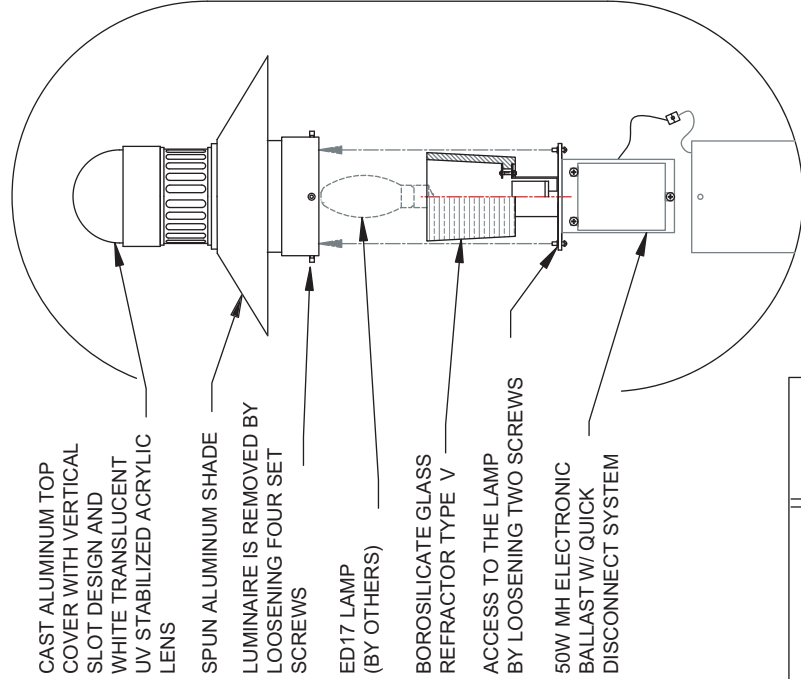
Sheridan Lighting Systems, Inc.  
4-2525 Dunwin Dr  
Mississauga, ON L5L 1R9

T 905-369-0101 F 905-369-0102  
sales@sheridansys.com www.sheridansys.com

PD97101



SHAFT IS MECHANICALLY ATTACHED TO CAST ALUMINUM BASE PLATE WITH FOUR FLAT SOCKET SET SCREWS



**BALLAST AND LAMP ACCESS DETAIL**

**BASE DETAILS**

**ST. MARGARET MARY CHURCH**

**Luminaire:** cast aluminum dome and spun aluminum shade

**Diffuser:** opal acrylic tube

**Optics:** borosilicate glass refractor with IES type V distribution

**Ballast:** 120/277V electronic with quick disconnects, mounted in the shaft of the bollard

**Lamp:** ED17 (by others)

**Socket:** medium porcelain 4KV pulse rated

**Mounting:** four 1/2"OD x 12"L galvanized steel anchor bolts, with two nuts and two washers per bolt, to be installed on 4 1/4"OD bolt circle. Anchors, templates, nuts and washers included.

**Shaft:** 6"OD aluminum extrusion, attached to a cast aluminum base plate with four flat socket set screws.

**Listing:** per UL 1598 "suitable for wet locations".

**Finish:** smooth semi-gloss TGIC polyester powder coat

**Color:** dark bronze

**Date:** Jul. 10, 2009

**Model:** CS1544-SL-STH-WA-50ME-1-4-G5-BRZ



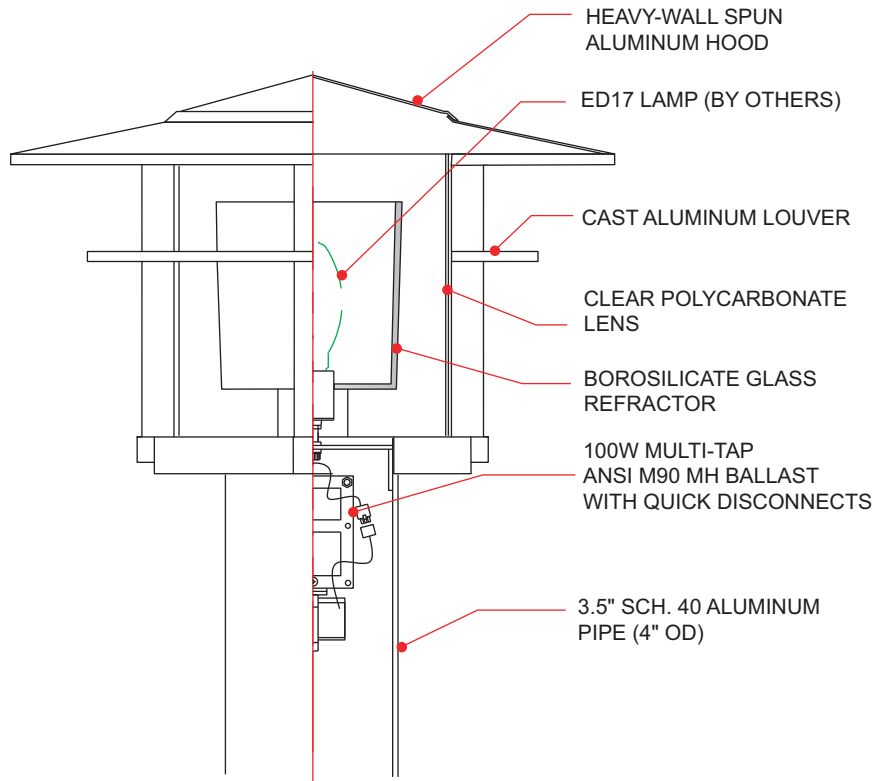
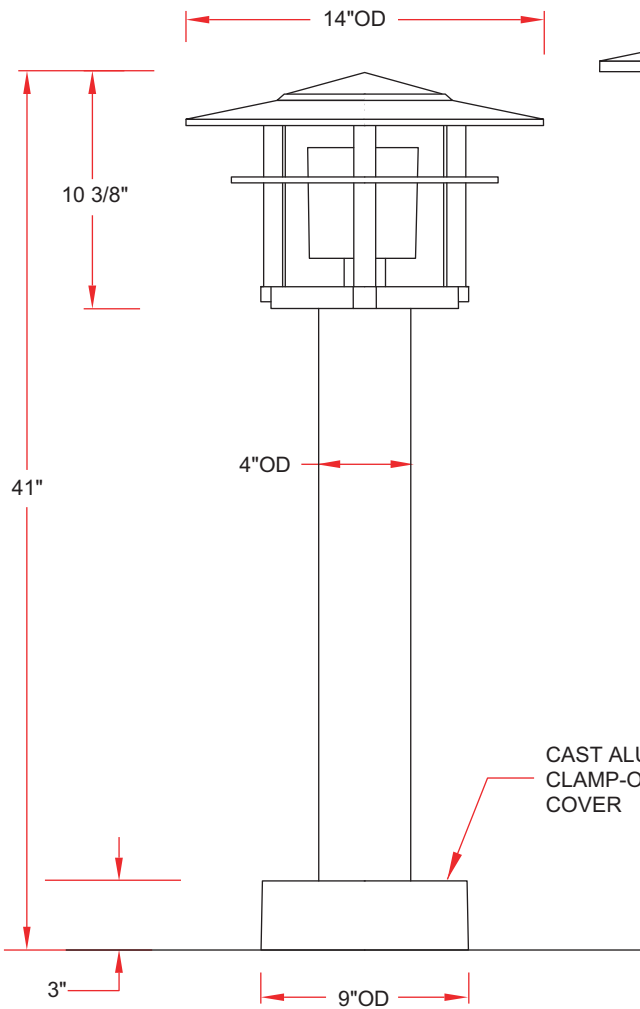
Sheridan Lighting Systems, Inc.  
4-2525 Durwin Dr  
Mississauga, ON L5L 1R9

T 905-369-0101 sales@sheridansys.com  
F 905-369-0102 www.sheridansys.com

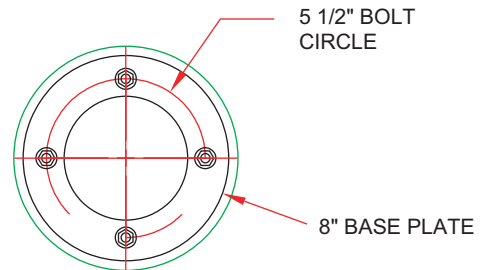


PD94274.2

TOP BOLLARD DETAIL



CAST ALUMINUM CLAMP-ON BASE COVER



**Type F3**

ANCHORAGE DETAIL

**Top:** spun aluminum

**Struts:** extruded aluminum

**Louver:** cast aluminum

**Ballast:** high power factor pulse start metal halide ANSI M90, multi-tap, with quick disconnects

**Wattage:** 100W **Voltage:** ADVISE.

**Socket:** medium porcelain, 4KV pulse-rated

**Lamp:** ED17 (by others)

**Diffuser:** clear polycarbonate

**Optics:** borosilicate glass refractor IES type V

**Body:** 4.5" sch. 40 aluminum pipe (5"OD) welded to a cast aluminum base plate. Finished with a cast aluminum split base cover.

**Listing:** per UL 1598 "suitable for wet locations".

**Installation:** four 17"L x 1/2"OD galvanized steel "L" bolts with 2" hook and 2" projection, installed on 5 1/2" bolt circle. Steel templates, bolts and two nuts and two washers per bolt included.

**Finish:** smooth semi-gloss TGIC powder coat

**Color:** bronze

**IANG Camp Dodge  
Pool Complex Improvements**

Type F3

**Date:** Sep. 9, 2009

**Model:** CSB1441-CP-1M-VOLT-G5-BRZ

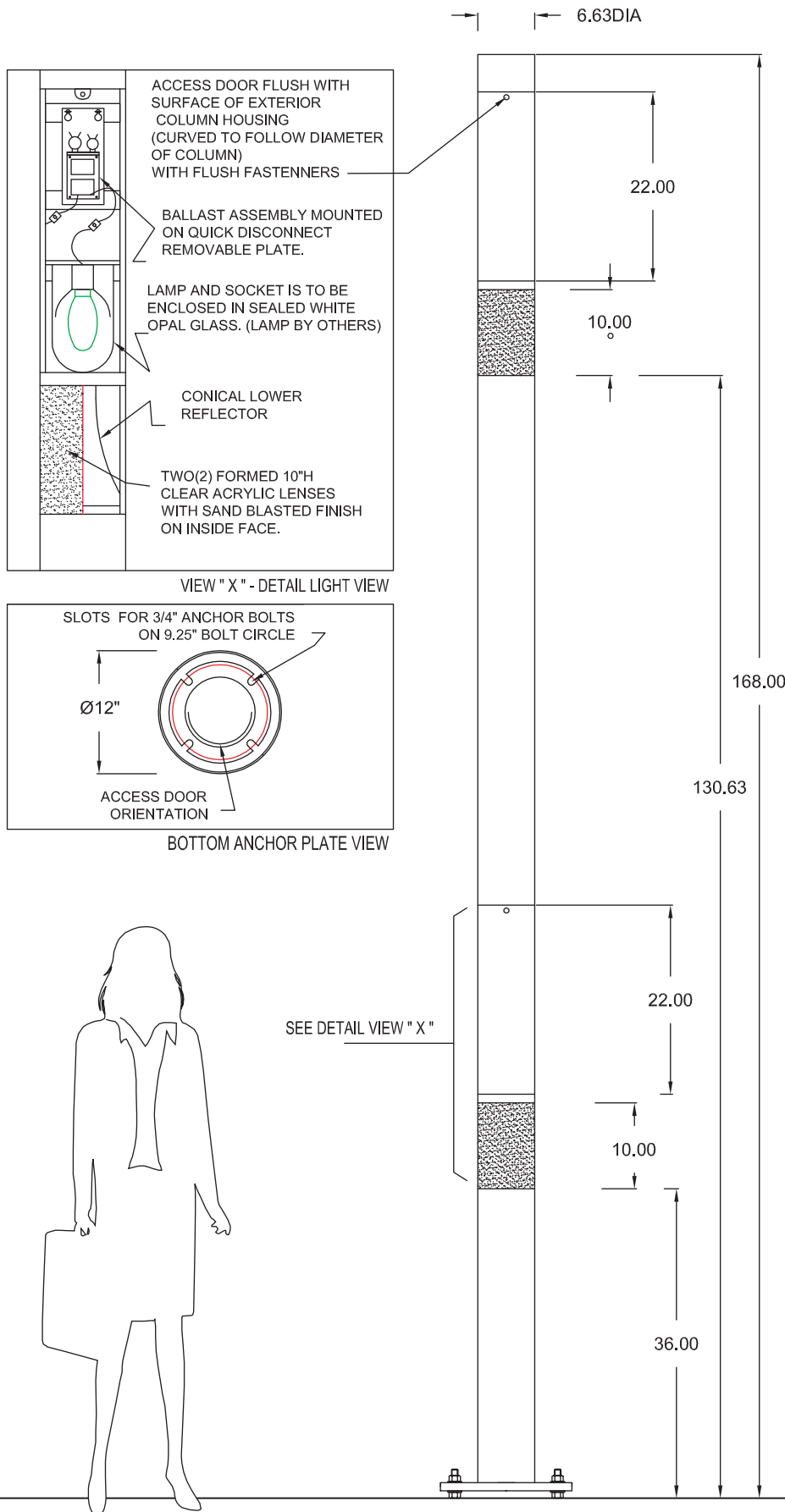
**Sheridan**  
lighting systems, inc.

Sheridan Lighting Systems, Inc.  
4-2525 Dunwin Dr  
Mississauga, ON L5L 1R9

T 905-369-0101 F 905-369-0102  
sales@sheridansys.com www.sheridansys.com

PD96111

HTCC Tech College



**14' DECORATIVE "PENCIL" LIGHT**

**Shaft:** 6" sch.40 6061 T6 aluminum pipe, slips over a cast aluminum anchor base

**External lenses:** frosted acrylic

**Internal lenses:** opal glass

**Socket:** medium porcelain 4KV pulse-rated

**Lamp:** ED17 (by others)

**Optics:** upper reflector with lower cone reflector for improved light dispersion

**Ballasts:** two 50W high power factor pulse start metal halide M110, mounted on a removable plate and wired with quick disconnects.

**Access doors:** oversized for ease of access to luminaires, secured with tamper resistant s/s hardware. Provision for ground lug opposite lower access door.

**Base:** one-piece cast aluminum with integral base plate.

**Anchor bolts:** four 24"L x 3/4"OD galvanized steel 55ksi min. yield bolts with 3" hook and 3" projection, with two nuts and two washers each and a steel template to install bolts on 9 1/4" bolt circle. Bolts, nuts, washers and templates included.

**All exposed hardware:** stainless steel

**Finish:** brushed aluminum with clear coat

**Date:** Jun. 11, 2009

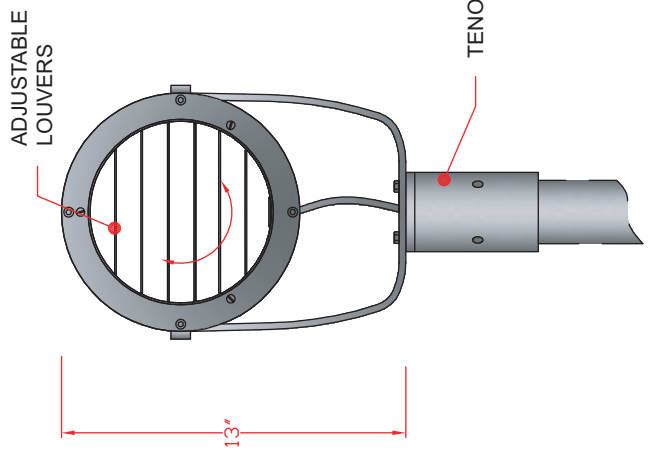
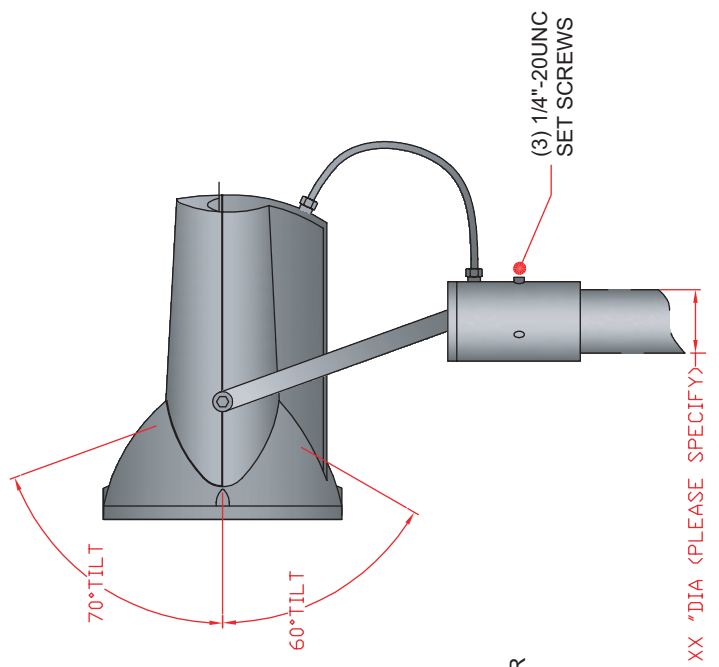
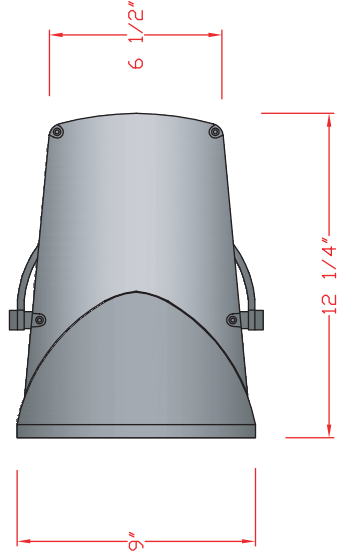
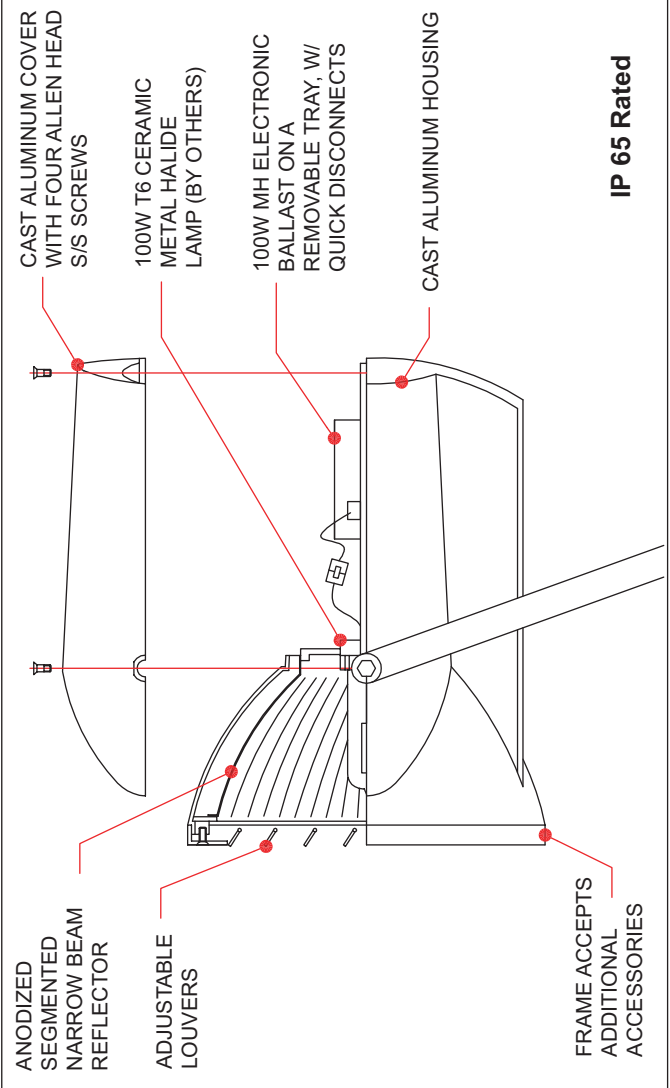
**Model:** CSP-65814-FA-(2)5M-MT-CO-SS-CL


**Sheridan**  
lighting systems, inc.

Sheridan Lighting Systems, Inc.  
4-2525 Dunwin Dr  
Mississauga, ON L5L 1R9

T 905-369-0101 F 905-369-0102  
sales@sheridansys.com www.sheridansys.com

PD95181.1



<p><b>OCC A, B, C</b></p>	<p><b>Date:</b> Jun. 15, 2009</p> <p><b>Model:</b> CSH1013-10M-VOLT-NRW-SLP-LV-9007</p>	 <p>Sheridan Lighting Systems, Inc. 4-2525 Dunwin Dr Mississauga, ON L5L 1R9 T 905-369-0101 sales@sheridansys.com</p> <p>Sheridan Lighting Systems, Inc. F 905-369-0102 www.sheridansys.com</p>
---------------------------	---	--

PD9781

**WESTCHESTER COMMONS**

SCHOFIELD PLAQUE

Richmond, VA

**7' POST WITH CUSTOM PLAQUE**

**Shaft:** 4"OD x 0.125" thick round smooth aluminum extrusion, welded in and over a cast aluminum base.

**Cap:** cast aluminum

**Base:** one-piece cast aluminum with access door.

**Access door :** contoured cast aluminum access door, secured with tamper-resistant hardware. Provision for ground lug located opposite access door.

**Custom plaque:** cast aluminum 30" x 15" with 5/8" tall lettering; painted black with silver lettering

**Anchor bolts:** four 24"L x 3/4"OD galvanized steel 55ksi min. yield bolts with 3" hook and 3" projection, with two nuts and two washers each and a steel template to install bolts on 8 1/2" bolt circle. Bolts, nuts, washers and templates included.

**All exposed hardware:** stainless steel

**Finish:** TGIC polyester powder coat

**Color:** standard smooth semi-gloss black

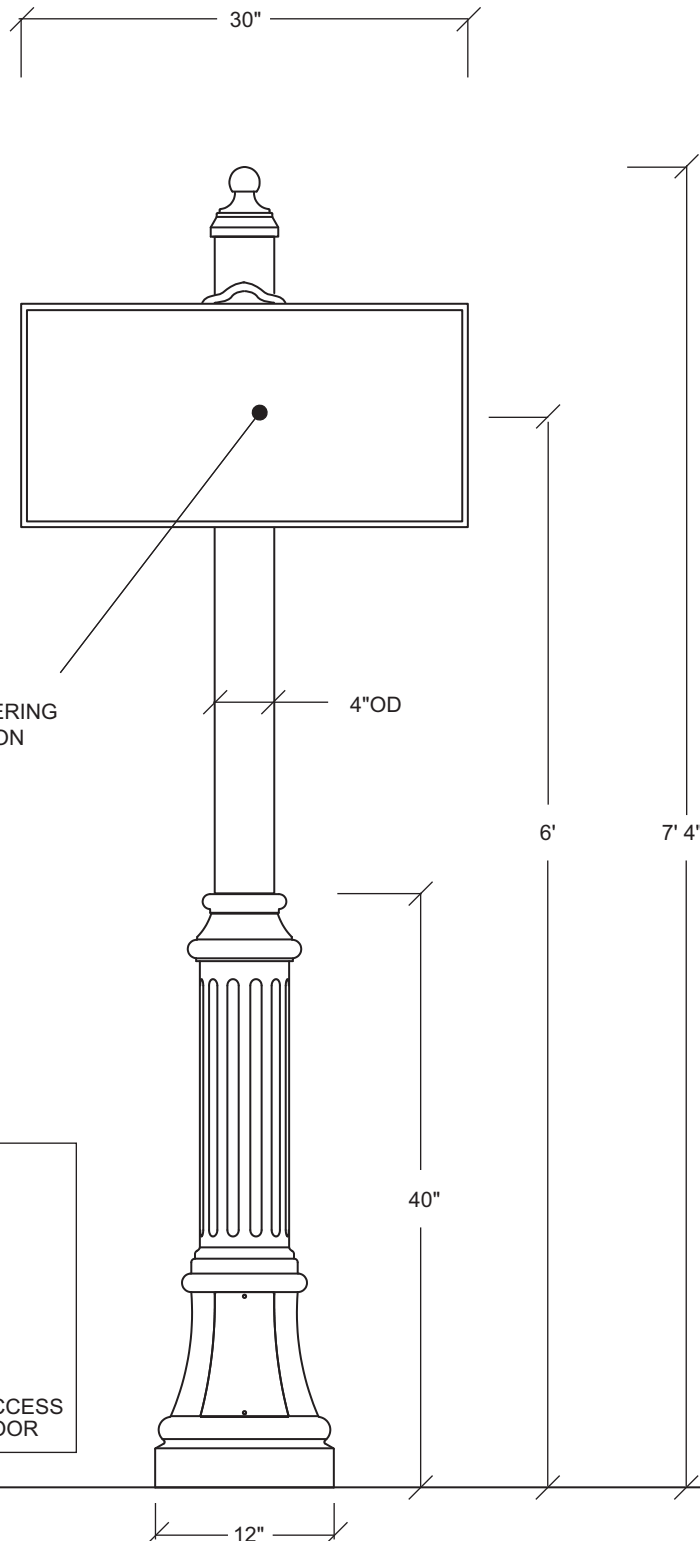
**Date:** July 8, 2009

**Model:** SP30-4RSA-7-PLQ3015-BLK

**Sheridan**  
lighting systems, inc.

Sheridan Lighting Systems, Inc.  
4-2525 Dunwin Dr  
Mississauga, ON L5L 1R9

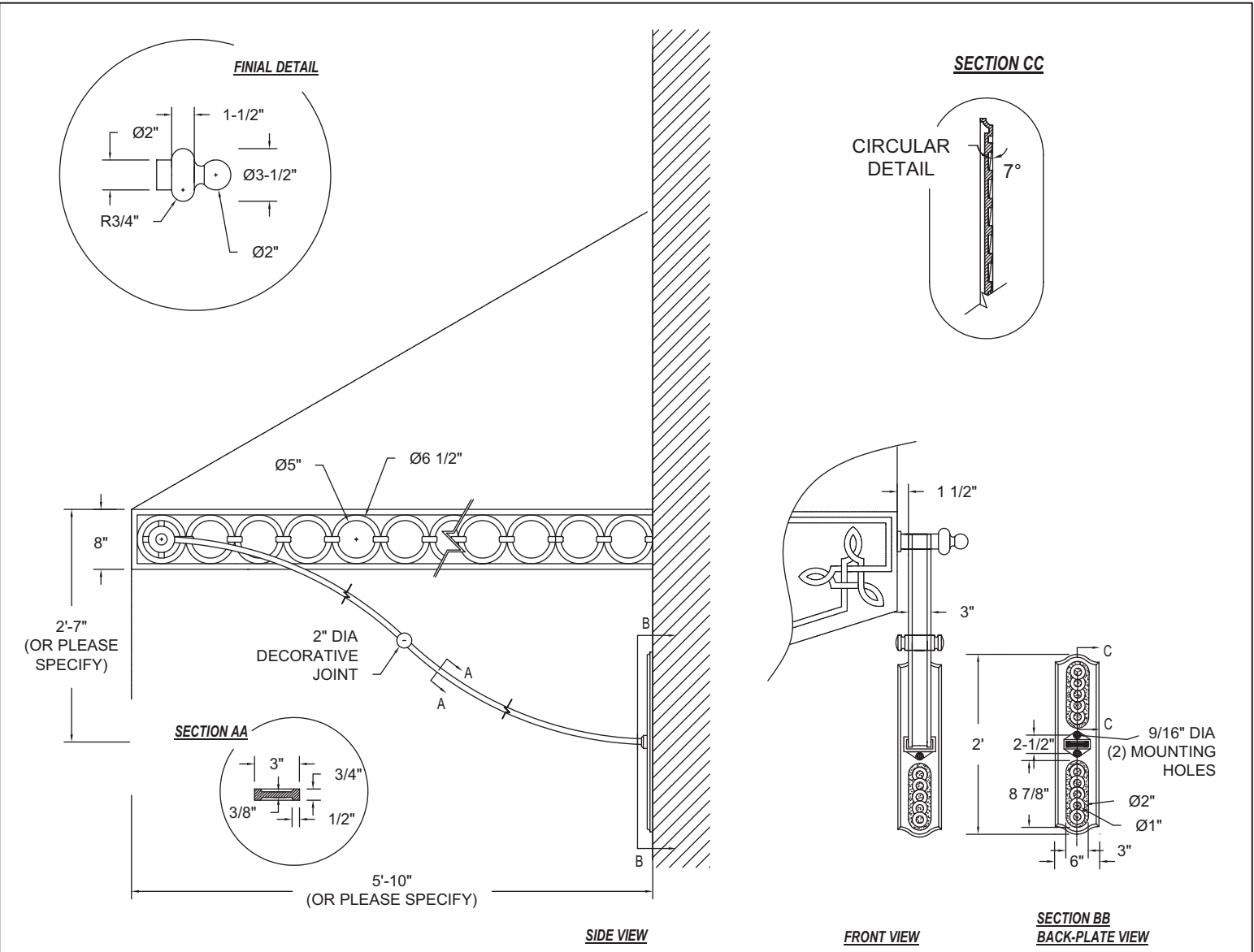
T 905-369-0101 F 905-369-0102  
sales@sheridansys.com www.sheridansys.com



CAST PLAQUE WITH  
5/8" TALL CAST LETTERING  
AS PER SPECIFICATION

8 1/2"  
BOLT CIRCLE

ACCESS  
DOOR



**ARM**

**Wall plate**

Cast aluminum wall plate with two 9/16" openings for mounting hardware. The plate shall feature an overlapping ring motif.

**Mounting (to wall)**

Two 1/2"-13UNC s/s bolts. Bolts by others.

**Arm**

Curved profiled cast aluminum plate with a decorative cast aluminum joint.

**Finial**

Cast aluminum decorative finial capping off the cast aluminum arm, which fits into a cast aluminum hub on the skirt side.

**SKIRT**

**Frame**

Fabricated aluminum.

**Decorative circles**

Cast aluminum, joined with a decorative cast aluminum strap, welded to the fabricated aluminum frame.

**Mounting (to wall)**

TBA

**Finish**

Natural aluminum.

**Color/painting**

To be painted on site by contractor.

**PALAZZO  
Awning Arm**

**Date:** Feb. 23, 2007

**Drawing:** 702231 rev 0

**Model:** CAX-AW-WP-FIN-A-AW-APR-CIR

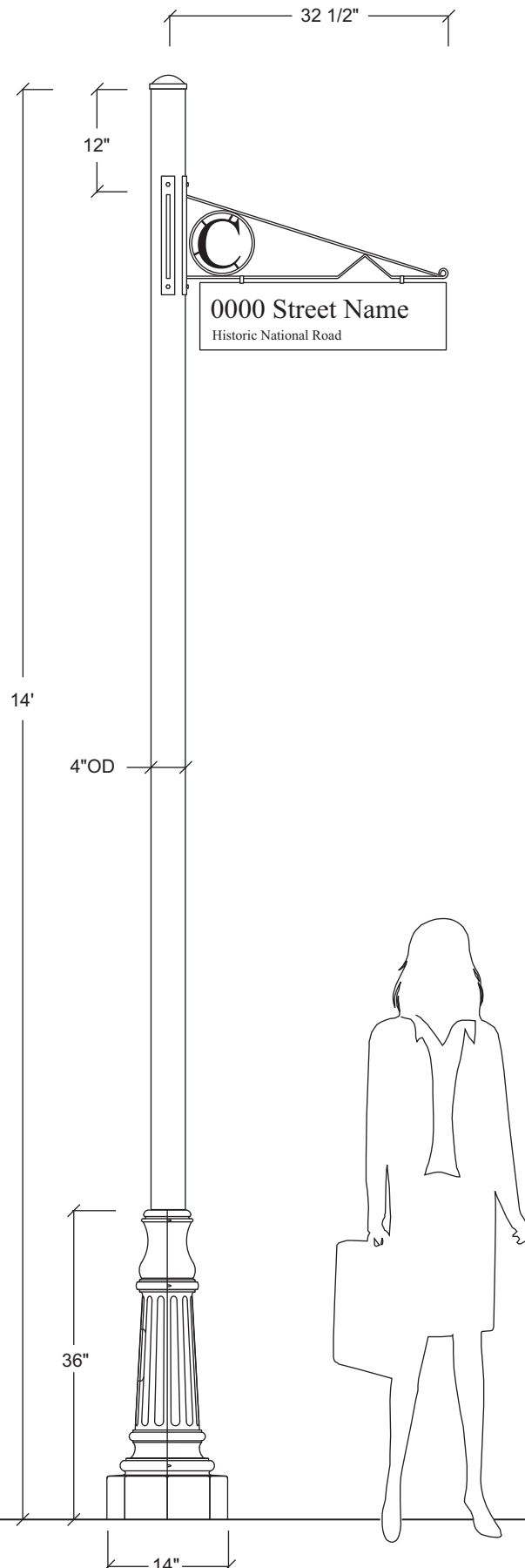
**Sheridan**  
lighting systems, inc.

Sheridan Lighting Systems, Inc.  
3500 Glen Erin Dr, Unit 44  
Mississauga, ON L5L 1W6

T 905-369-0101 F 905-369-0102  
sales@sheridansys.com www.sheridansys.com

PD96252.1

TOWN OF CUMBERLAND



### 14' STREET SIGN POST

**Shaft:** 4"OD x 0.125" thick round smooth steel tube, welded in and over a steel base plate. Entire pole is galvanized.

**Cap:** cast aluminum

**Base cover:** two-piece cast aluminum with oversized cast aluminum access door. Features decorative flutes. Octagonal in shape. Assembled with six tamper resistant s/s screws. Secures to pole with s/s hardware.

**Access door:** oversized cast aluminum access door for ease of anchoring, secured with tamper resistant s/s hardware. One door per set of base covers.

**Street sign bracket:** fabricated galvanized steel bracket with "C" logo. Logo to be "Times New Roman" font welded to inside of 7 1/4"dia x 1/2"th metal band with studs

**Street sign:** 1/4"th aluminum panel rigidly secured with clips. **ARTWORK BY OTHERS.**

**Anchor bolts:** four 24"L x 3/4"OD galvanized steel 55ksi min. yield bolts with 3" hook and 3" projection, with two nuts and two washers each and a steel template to install bolts on 8 1/2" bolt circle. Bolts, nuts, washers and templates included.

**All exposed hardware:** stainless steel

**Finish:** TGIC polyester powder coat

**Color:** standard smooth semi-gloss black

**Date:** July 2, 2009

**Model:** CSP1436-4RSC-14-CSTS-1-BLK

**Sheridan**  
lighting systems, inc.

Sheridan Lighting Systems, Inc.  
4-2525 Dunwin Dr  
Mississauga, ON L5L 1R9

T 905-369-0101 F 905-369-0102  
sales@sheridansys.com www.sheridansys.com