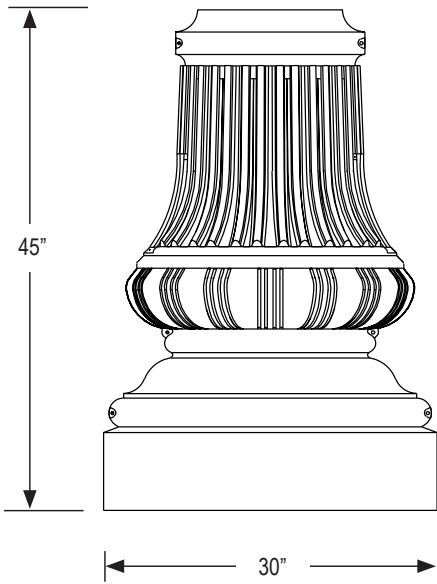


# SP50

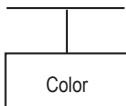
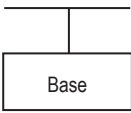


# Specifications

SP50 can wrap around a number of shaft styles. It is intended mainly as an enhancement to traffic poles, where pleasing aesthetic appearance and antique styling are deemed important. To ensure proper fit, supply detailed dimensions of shaft at point of connection in the upper portion of the base.

The SP50 series base cover shall consist of two heavily fluted cast aluminum base covers and two contoured, fluted, cast aluminum access doors. The access doors shall bind the base halves along the edges and shall be attached to them with tamper proof hardware to reduce risk of theft. All hardware shall be stainless steel. All castings shall be formed true to pattern, with no warping or mold shifting.

## SP50



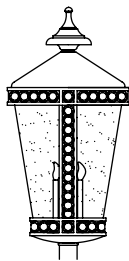
- BLK** - black
- GRN** - green
- BRZ** - bronze
- GRY** - grey
- WHT** - white
- CTM** - custom



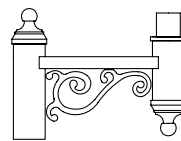
SP50 in high gloss black (shown without access door)



## Suggested luminaire and bracket styles



SH40



SA01-A

**Sheridan**  
lighting systems, inc.