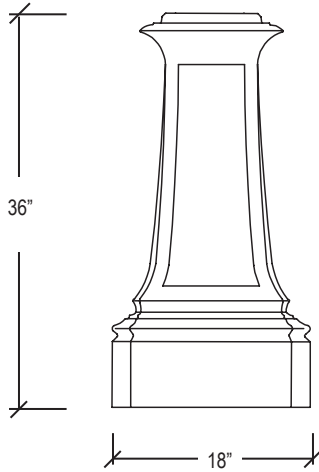
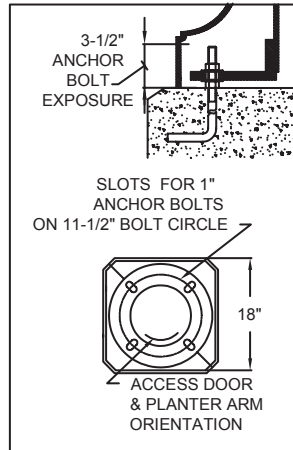


SP35



Front View



Bottom View

Specifications

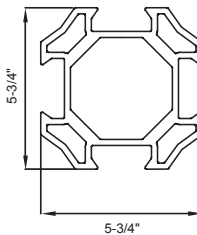
The SP35 series pole shall consist of a cast aluminum base and a shaft. The two-piece base shall be secured to the shaft with stainless steel hardware. The base cover shall include a contoured cast aluminum door. All castings shall be formed true to pattern, with no warping or mold shifting.

A number of shaft styles are available: extruded, formed, round or fluted, straight or tapered, aluminum or steel. They shall have a cast or fabricated base plate of appropriate size welded to the the bottom of the shaft. Unless specified otherwise, all poles ship with four anchor bolts, with two nuts and two washers per bolt and with one steel template per every three poles.

The shaft shall include a $\varnothing 3''$ OD or $\varnothing 4''$ x 3"H tenon for luminaire mounting. All exposed metal parts shall receive baked-on smooth semi-gloss powder coat finish. Poles ship loose, with doors and tenons pre-assembled, all wrapped in a protective layer of paper, cardboard and shrink wrap.

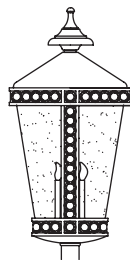
SP35

Base	Shaft size	Shaft style	Height	Tenon	Options	Color
	4 4" 5 5" 575 5.75" square with track (TR shaft only) 6 6"	RS - round straight FS - fluted straight RT - round tapered FT - fluted tapered QS - square straight QT - square tapered TR - 5.75" square with track system A - aluminum C - steel (not avail- able with "FS" or "TR" style)	Indicate pole height in feet	A - 3"OD x 3"H (standard) B - 4"OD x 3"H X - non-standard (indicate size)	GFI - GFI receptacle LAB - less anchor bolts FLG - flag holder Banner arms - see "Accessories" at the end of the catalog	BLK - black GRN - green BRZ - bronze GRY - grey WHT - white CTM - custom

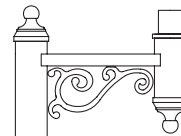


"TR" shaft style

Suggested luminaire and bracket styles



SH40



SA01-A

Sheridan
lighting systems, inc.