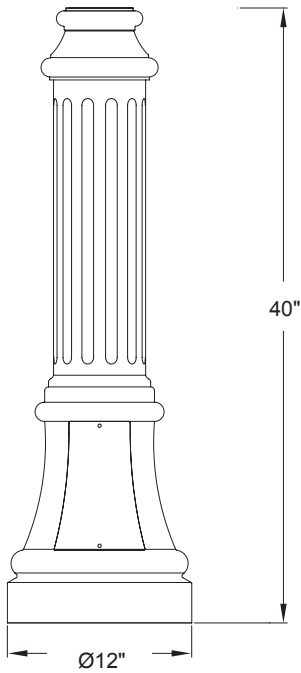
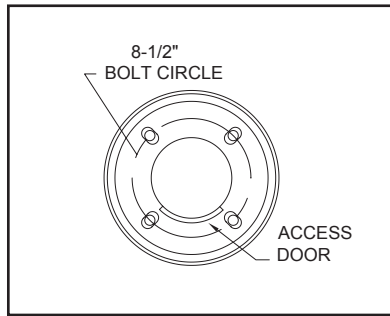


SP30

Specifications



Bolt circle: 8-1/2"
Anchor bolts: four 24"L x 3/4"OD
Hook: 3" **Projection:** 3"

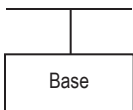


The SP30 series pole shall consist of a cast aluminum base and a shaft. The one-piece base shall be welded to the shaft. The base cover shall include a contoured cast aluminum door. All castings shall be formed true to pattern, with no warping or mold shifting.

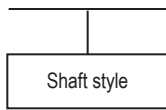
A number of aluminum shaft styles are available: extruded, cast or formed, round or fluted, straight or tapered. Shaft shall be welded in and over the base. Straight shafts shall be 4"OD and tapered shafts shall taper from 4"OD at the top of the base to 3"OD at the top of the pole. Unless specified otherwise, all poles ship with four anchor bolts, with two nuts and two washers per bolt and with one steel template per every three poles.

The shaft shall include a 3"OD or 4"OD x 3"H tenon for luminaire mounting. All exposed metal parts shall receive baked-on smooth semi-gloss powder coat finish. Poles ship loose, with doors and tenons pre-assembled, all wrapped in a protective layer of paper, cardboard and shrink wrap.

SP30



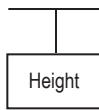
Base



Shaft style

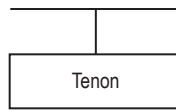
RS - round straight
FS - fluted straight

RT - round tapered
FT - fluted tapered



Height

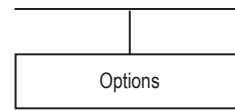
Indicate pole height in feet



Tenon

A - 3"OD x 3"H (standard)
B - 4"OD x 3"H

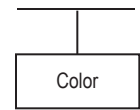
X - non-standard (indicate size)



Options

GFI - GFI receptacle
LAB - less anchor bolts
FLG - flag holder

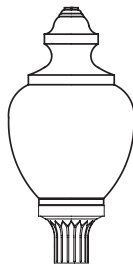
Banner arms - see "Accessories" at the end of the catalog



Color

BLK - black
GRN - green
BRZ - bronze
GRY - grey
WHT - white
CTM - custom

Suggested luminaire and bracket styles



SH01



SA01-A

Sheridan
 lighting systems, inc.