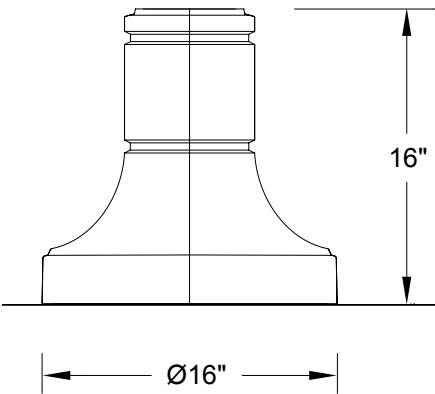
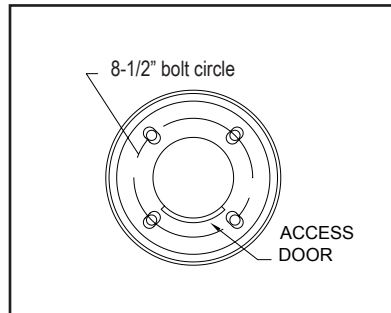


SP20

Specifications



Bolt circle: 8-1/2"
Anchor bolts: four 24"L x 3/4"OD
Hook: 3" **Projection:** 3"



The SP20 series pole shall consist of a combination cast aluminum base cover and a shaft. The base cover shall be secured to the base with stainless steel hardware. Access door shall be located in the shaft 7" to center from finished grade. All castings shall be formed true to pattern, with no warping or mold shifting.

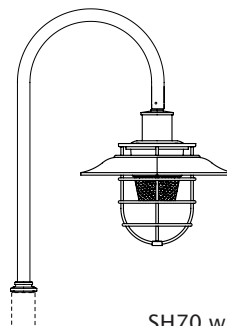
A number of shaft styles are available: extruded or formed, round or fluted, straight or tapered, aluminum or steel. Shaft shall be welded to a base plate. Unless specified otherwise, all poles ship with four anchor bolts, with two nuts and two washers per bolt and with one steel template for every three poles.

The shaft shall include a 3"OD or 4"OD x 3"H tenon for luminaire mounting. All exposed metal parts shall receive baked-on smooth semi-gloss powder coat finish. Poles ship loose, with doors and tenons pre-assembled, all wrapped in a protective layer of paper, cardboard and shrink wrap. Base covers ship separately.

SP20

Base	Shaft size	Shaft style	Height	Tenon	Options	Color
	B 4"OD L 5"OD	RS - round straight FS - fluted straight RT - round tapered FT - fluted tapered A - aluminum C - steel (not available with "FS" style)	Indicate pole height in feet	A - 3"OD x 3"H (standard) B - 4"OD x 3"H X - non-standard (indicate size)	GFI - GFI receptacle LAB - less anchor bolts FLG - flag holder Banner arms - see "Accessories" at the end of the catalog	BLK - black GRN - green BRZ - bronze GRY - grey WHT - white CTM - custom

Suggested luminaire and bracket styles



SH70 with SA25-A

Sheridan
lighting systems, inc.