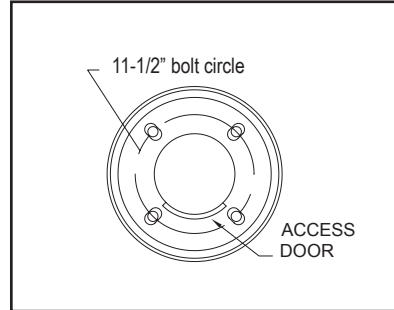


**Bolt circle:** 11-1/2"  
**Anchor bolts:** four 24"L x 3/4"OD  
**Hook:** 3"      **Projection:** 3"



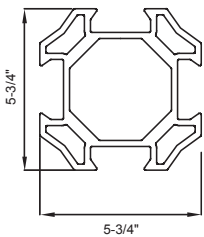
The SP10 series pole shall consist of a combination cast aluminum base cover with an extruded 8" schedule 40 pipe for base and a shaft. The base cover shall be secured to the base with stainless steel hardware. The base shall include a contoured cast aluminum door. All castings shall be formed true to pattern, with no warping or mold shifting.

A number of shaft styles are available: extruded, cast or formed, round or fluted, straight or tapered, aluminum or steel. Shaft shall be welded in and over the base. Unless specified otherwise, all poles ship with four anchor bolts, with two nuts and two washers per bolt and with one steel template per every three poles.

The shaft shall include a 3"OD or 4"OD x 3"H tenon for luminaire mounting. All exposed metal parts shall receive baked-on smooth semi-gloss powder coat finish. Poles ship loose, with doors and tenons pre-assembled, all wrapped in a protective layer of paper, cardboard and shrink wrap. Base covers ship separately.

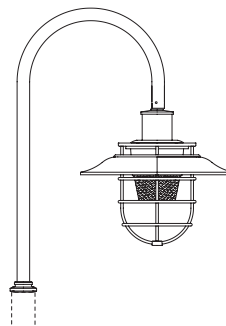
## SP10

Base	Base type	Shaft size	Shaft style	Height	Tenon	Options	Color
	<b>A</b> one-piece <b>B</b> two-piece	<b>4</b> 4"OD <b>5</b> 5"OD <b>575</b> 5.75" square with track (TR shaft only)	<b>RS</b> - round straight <b>FS</b> - fluted straight  <b>RT</b> - round tapered <b>FT</b> - fluted tapered  <b>TR</b> - 5.75" square with track system	<b>Indicate pole height in feet</b>	<b>A</b> - 3"OD x 3"H (standard) <b>B</b> - 4"OD x 3"H  <b>X</b> - non-standard (indicate size)	<b>GFI</b> - GFI receptacle <b>LAB</b> - less anchor bolts <b>FLG</b> - flag holder  <b>Banner arms</b> - see "Accessories" at the end of the catalog	<b>BLK</b> - black <b>GRN</b> - green <b>BRZ</b> - bronze <b>GRY</b> - grey <b>WHT</b> - white <b>CTM</b> - custom



"TR" shaft style

Suggested luminaire and bracket styles



SH70 with SA25-A

**Sheridan**  
lighting systems, inc.