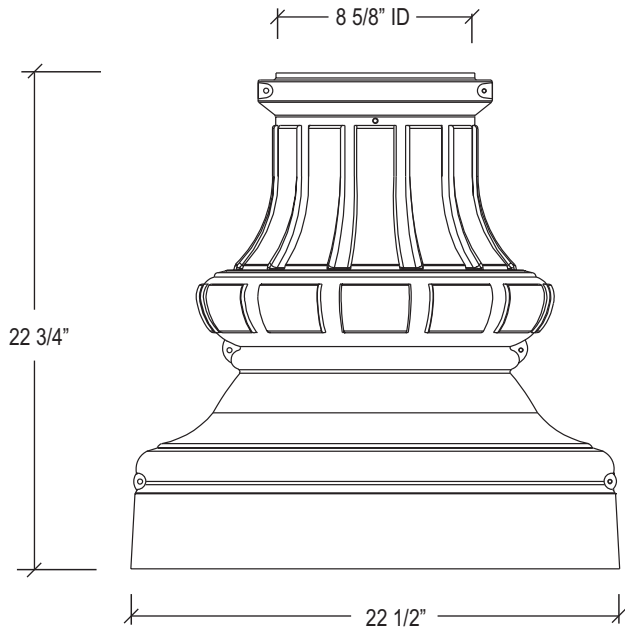


SP03

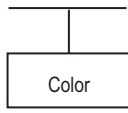
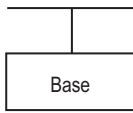


Specifications

SP03 can wrap around a number of shaft styles. It is intended mainly as an enhancement to traffic poles, where pleasing aesthetic appearance and antique styling are deemed important. It will accept shafts up to 8 5/8" in diameter.

The SP03 series base cover shall consist of two heavily fluted cast aluminum base covers. The base covers will attach with tamper proof hardware to reduce risk of theft. All hardware shall be stainless steel. All castings shall be formed true to pattern, with no warping or mold shifting.

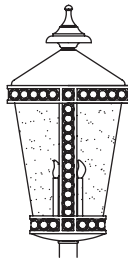
SP03



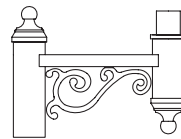
- BLK** - black
- GRN** - green
- BRZ** - bronze
- GRY** - grey
- WHT** - white
- CTM** - custom



Suggested luminaire and bracket styles



SH40



SA01-A

Sheridan
lighting systems, inc.