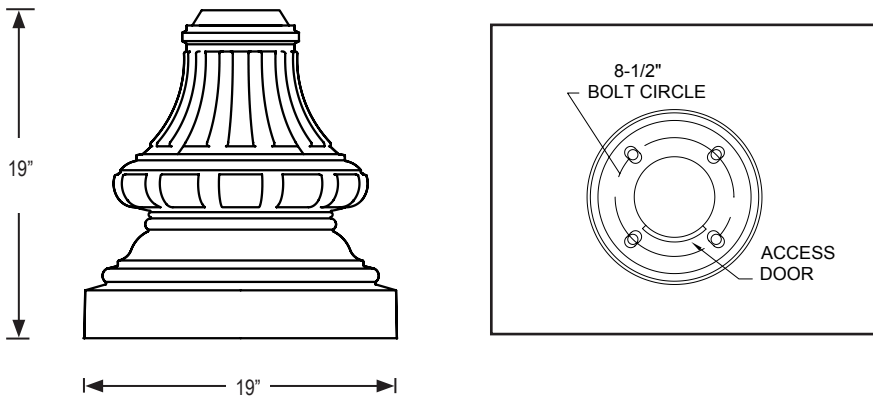


SP01

Specifications



Bolt circle: 8-1/2"
Anchor bolts: four 24"L x 3/4"OD
Hook: 3" **Projection:** 3"

The SP01 series pole shall consist of a cast aluminum base and a shaft. The one-piece base shall be welded to the shaft. The two-piece base shall be secured to the shaft with stainless steel hardware. The base cover shall include a contoured cast aluminum door. All castings shall be formed true to pattern, with no warping or mold shifting.

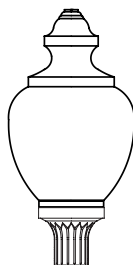
A number of shaft styles are available: extruded, cast or formed, round or fluted, straight or tapered, aluminum or steel. Cast shafts shall be welded in and over the base. Other shafts shall have a cast or fabricated base plate of appropriate size welded to the the bottom of the shaft. Unless specified otherwise, all poles ship with four anchor bolts, with two nuts and two washers per bolt and with one steel template per every three poles.

The shaft shall include a Ø3"OD or Ø4" x 3"H tenon for luminaire mounting. All exposed metal parts shall receive baked-on smooth semi-gloss powder coat finish. Poles ship loose, with doors and tenons pre-assembled, all wrapped in a protective layer of paper, cardboard and shrink wrap.

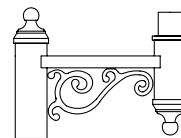
SP01

Base	Base type	Shaft size	Shaft style	Height	Tenon	Options	Color
	A one-piece B two-piece	4 4"OD 5 5"OD	RS - round straight FS - fluted straight RT - round tapered FT - fluted tapered A - aluminum C - steel (not available with "FS" style)	Indicate pole height in feet	A - 3"OD x 3"H (standard) B - 4"OD x 3"H X - non-standard (indicate size)	GFI - GFI receptacle LAB - less anchor bolts FLG - flag holder Banner arms - see "Accessories" at the end of the catalog	BLK - black GRN - green BRZ - bronze GRY - grey WHT - white CTM - custom

Suggested luminaire and bracket styles



SH01



SA01-A

Sheridan
lighting systems, inc.