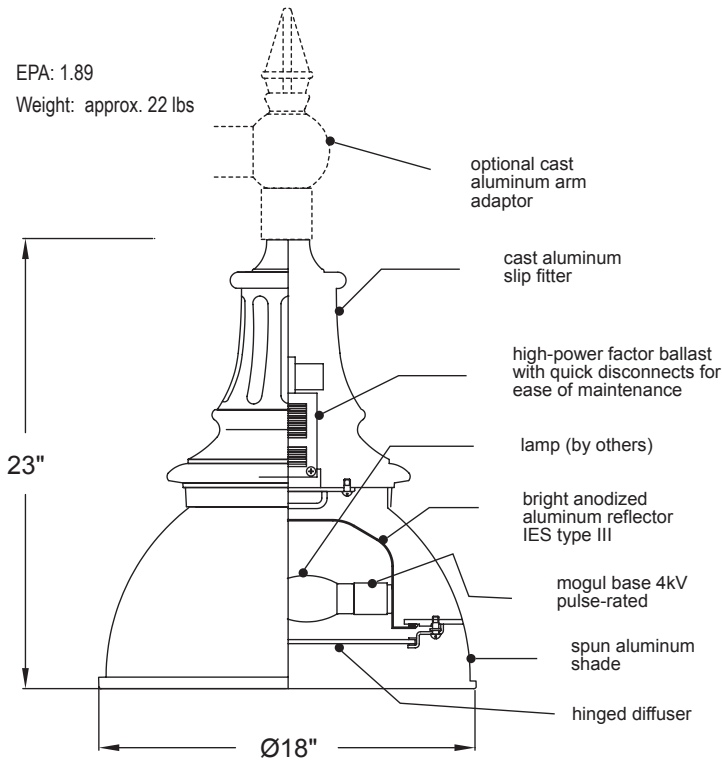


# SH85

# Specifications



The SH85 series luminaire shall consist of a cast aluminum capital, an internal optical system and a spun aluminum shade. The shade shall be mechanically secured to the capital with stainless steel hardware. The optical chamber shall be protected from the elements by means of a gasketed diffuser assembly. The hinged diffuser assembly shall be secured to the luminaire body by means of captive screws. All castings shall be formed true to pattern, with no warping or mold shifting. The spun aluminum shade shall have the underside painted white.

The electrical and optical components shall be mounted on a cast aluminum ballast plate within the capital. The medium or mogul porcelain socket shall be 4kV pulse rated. The HID ballast shall be HPF, CWA, multi-tap, supplied with capacitor and ignitor. Luminaire shall be ETL certified as suitable for wet locations. Lamps by others.

The luminaire shall mount to a mounting arm via a 2"OD x 2"H integral tenon with three stainless steel tamper resistant screws and one security thru-bolt. Order arm separately. All exposed metal parts shall receive baked-on smooth semi-gloss powder coat finish. Ships assembled, boxed and palletized.

## SH85

Luminaire	Diffuser	Ballast	Voltage
	CP clear polycarbonate	5M - 50MH	1 - 120V
	CG clear tempered glass	7M - 70MH	2 - 208V
		10M - 100MH	3 - 240V
		15M - 150MH	4 - 277V
		17M - 175MH	5 - 347V
		25M - 250MH	
		5H - 50HPS	
		7H - 70HPS	
		10H - 100HPS	
		15H - 150HPS	
		25H - 250HPS	
		40H - 400HPS	

## HR3

Optics	Options	Color
HR3 - aluminum reflector, horizontal lamp, IES III	HS - house side shield	BLK - black
	SF - single fuse	GRN - green
	DF - double fuse	BRZ - bronze
	BP - button photocell	GRY - grey
		WHT - white
		CTM - custom

Suggested pole and bracket combinations

