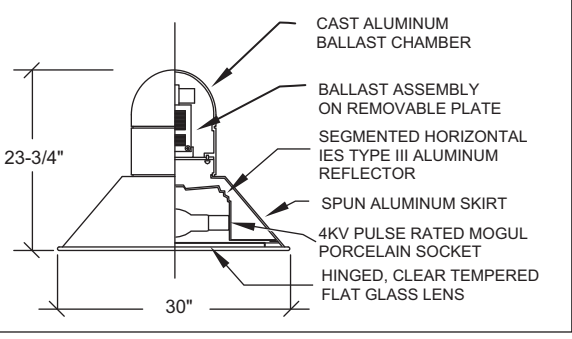
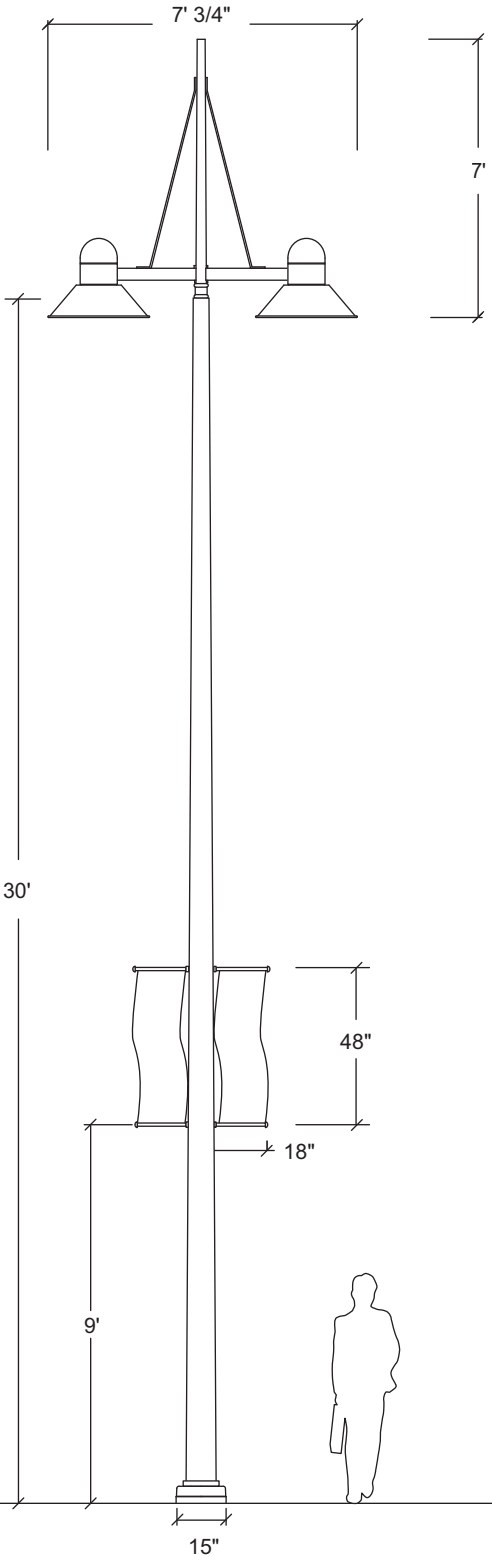


VITRUVIAN PARK
Addison, TX

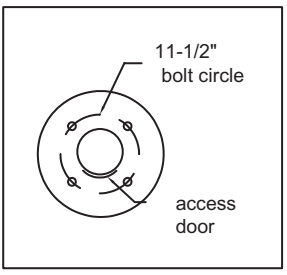


LUMINAIRE DETAILS

PD810292



BOTTOM VIEW



- Ballast chamber:** heavy wall cast aluminum
- Decorative skirt:** spun aluminum, permanently attached to the domed ballast chamber.
- Diffuser:** hinged, clear tempered flat glass
- Optics:** segmented horizontal bright anodized reflector IES type III with full cutoff
- Ballast:** pulse start 400W MH, ANSI M155, multi (quad) tap, wired for ____V, with tool-less access and quick disconnects, mounted on a removable plate within the luminaire.
- Socket size:** mogul, porcelain, 4KV pulse rated
- Lamp:** ED28 (by others)
- Arm:** aluminum 2" x 3" rectangular extrusion welded to an aluminum column, with aluminum support beams.
- Configuration:** twin
- Shaft:** round tapered steel, welded in and over a steel base plate.
- Base cover:** two-piece cast aluminum, attached to pole with tamper resistant s/s hardware.
- Anchor bolts:** four 36"L x 1"OD galvanized steel 55ksi min. yield bolts with 4" hook and 4" projection, with two nuts and two washers each and a steel template to install bolts on 11-1/2" bolt circle.
- Banner arms:** 1"OD x 18"L aluminum tubing threaded into steel hubs, which are welded onto the pole shaft. Comes with 2" cast aluminum removable half balls. Banners by others.
- All exposed hardware:** stainless steel
- Finish:** TGIC polyester powder coat
- Color:** silver

Date: Oct. 29, 2008
Model: (2) CSH3024-40M-VOLT-H3-CSA-B-SP25-MOD15-RTC-30-BAB-22-SLR



Sheridan Lighting Systems, Inc.
 4-2525 Dunwin Dr
 Mississauga, ON L5L 1R9

T 905-369-0101 F 905-369-0102
 sales@sheridansys.com www.sheridansys.com