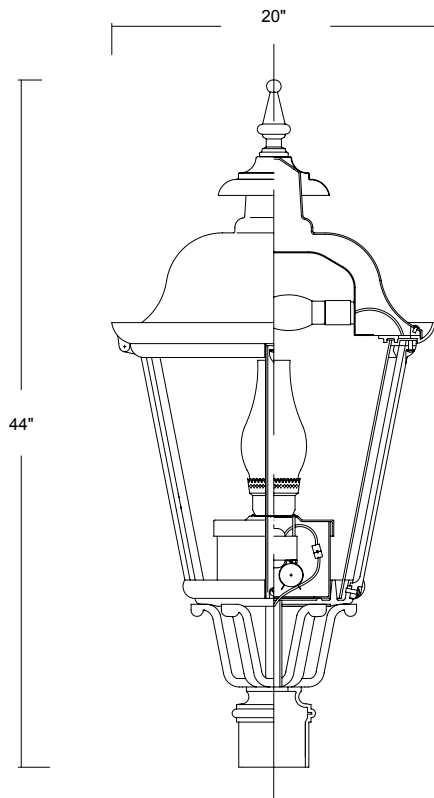


SH45

Specifications



EPA: 2.4
Weight: approx. 35 lbs




The SH45 series luminaire shall consist of a roof assembly, cage, diffuser, capital, ballast assembly and an internal optical system. The roof shall be made of spun aluminum. It may be topped with an optional finial. The diffuser shall be either clear or frosted acrylic. The diffuser shall be secured to the cast aluminum capital by positive pressure, featuring tool-less entry to the ballast chamber. The cage shall be made of cast aluminum and shall be mechanically secured to the capital and the hinged roof. All castings shall be formed true to pattern, with no warping or mold shifting.

The electrical and optical components shall be mounted on a cast aluminum ballast plate within the capital. The medium or mogul porcelain socket shall be 4kV pulse rated. The HID ballast shall be HPF, CWA, multi-tap, supplied with capacitor and ignitor. Luminaire shall be ETL certified as suitable for wet locations. Lamps by others.

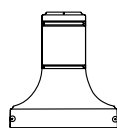
The optical assembly shall be mechanically secured to the ballast plate and/or the roof, as appropriate.

The luminaire shall mount to a 3"OD or 4"OD x 3"H tenon with three sets of two stainless steel tamper resistant screws. All exposed metal parts shall receive baked-on smooth semi-gloss powder coat finish. Ships boxed and palletized.

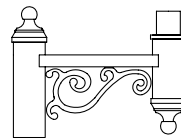
SH45

Luminaire	Diffuser	Ballast	Voltage	Optics	Options	Color
	<p>CA clear acrylic</p> <p>FA frosted acrylic</p>	<p>5M - 50MH 7M - 70MH 10M - 100MH 15M - 150MH 17M - 175MH 25M - 250MH</p> <p>5H - 50HPS 7H - 70HPS 10H - 100HPS 15H - 150HPS 25H - 250HPS</p>	<p>1 - 120V 2 - 208V 3 - 240V 4 - 277V 5 - 347V</p>	<p>BA - bare lamp R5 - glass refractor IES V R3 - glass refractor IES III CO - dual optical cone IES V HR3 - rooftop reflector, horizontal lamp, IES III LV - louver stack IES V</p>	<p>HS - house side shield SF - single fuse DF - double fuse BP - button photocell LP - locking photocell GC - glass chimney FN - no finial</p> <p>FA finial "A"  FB finial "B"  FC finial "C" </p>	<p>BLK - black GRN - green BRZ - bronze GRY - grey WHT - white CTM - custom</p>

Suggested pole and bracket combinations



SP20



SA01-A

Sheridan
lighting systems, inc.