

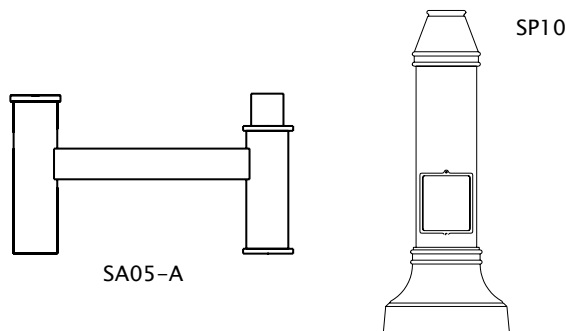
The SH37 series luminaire shall consist of a diffuser, capital, ballast assembly, an internal optical system, a shade and a top cap. The shade and the top cap shall be supported by aluminum struts, which shall be permanently secured to the capital. The diffuser shall be secured to the cast aluminum capital by positive pressure. All castings shall be formed true to pattern, with no warping or mold shifting. The shade shall be made of an aluminum spinning.

The electrical components shall be mounted within the luminaire and shall be protected by a spun aluminum ballast chamber. The medium porcelain socket shall be 4KV pulse rated. The HID ballast shall be HPF, CWA, multi-tap, supplied with capacitor and ignitor. Luminaire shall be certified to UL 1598 as suitable for wet locations. Lamps by others. Optical assembly shall be mechanically secured to the capital.

The luminaire shall mount to a 4"OD x 4"H tenon with four stainless steel tamper resistant Allen set screws. All exposed hardware is stainless steel. All exposed metal parts shall receive baked-on smooth semi-gloss powder coat finish. Ships boxed and palletized.

SH37	CA					
Luminaire	Diffuser	Ballast	Voltage	Optics	Options	Color
	CA clear acrylic	5M - 50MH 7M - 70MH 10M - 100MH 15M - 150MH 5H - 50HPS 7H - 70HPS 10H - 100HPS 15H - 150HPS	1 - 120V 2 - 208V 3 - 240V 4 - 277V 5 - 347V	BA - bare lamp R5 - glass refractor IES V R3 - glass refractor IES III LV - louver stack IES V	HS - house side shield SF - single fuse DF - double fuse BP - button photocell	BLK - black GRN - green BRZ - bronze GRY - grey WHT - white CTM - custom

Suggested pole and bracket combinations



Sheridan
lightingsystems, inc.