

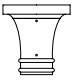






EPA: 1.25
Weight: approx. 40 lbs

The SH12 series luminaire shall consist of a diffuser, a capital and a ballast assembly. The acorn-shaped diffuser shall be borosilicate prismatic glass and may be topped with an optional finial. The diffuser shall be secured to the cast aluminum capital with stainless steel hardware or with a quarter turn locking mechanism, both featuring tool-less entry. All castings shall be formed true to pattern, with no warping or mold shifting.

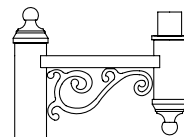
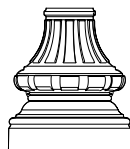
The electrical and optical components shall be mounted on a cast aluminum ballast plate within the capital. The medium or mogul porcelain socket shall be 4kV pulse rated. The HID ballast shall be HPF, CWA, multi-tap, supplied with capacitor and ignitor. Luminaire shall be certified to UL1598 as suitable for wet locations. Lamps by others.

The luminaire shall mount to a 3"OD or 4"OD x 3"H tenon with three sets of two stainless steel tamper resistant screws. All exposed metal parts shall receive baked-on smooth semi-gloss powder coat finish. Ships boxed and palletized.

SH12

Luminaire	Capital	Ballast	Voltage	Optics	Options	Color
	 B 11" H  D 8" H  H 8" H  K 11" H	5M - 50MH 7M - 70MH 10M - 100MH 15M - 150MH 17M - 175MH 25M - 250MH 5H - 50HPS 7H - 70HPS 10H - 100HPS 15H - 150HPS 25H - 250HPS	1 - 120V 2 - 208V 3 - 240V 4 - 277V 5 - 347V 6 - 480V	C - IES type III E - IES type V	HS - house side shield SF - single fuse DF - double fuse BP - button photocell LP - locking photocell FN - no finial FA finial "A"  FB finial "B"  FC finial "C" 	BLK - black GRN - green BRZ - bronze GRY - grey WHT - white CTM - custom

Suggested pole and bracket combinations



Sheridan
lighting systems, inc.