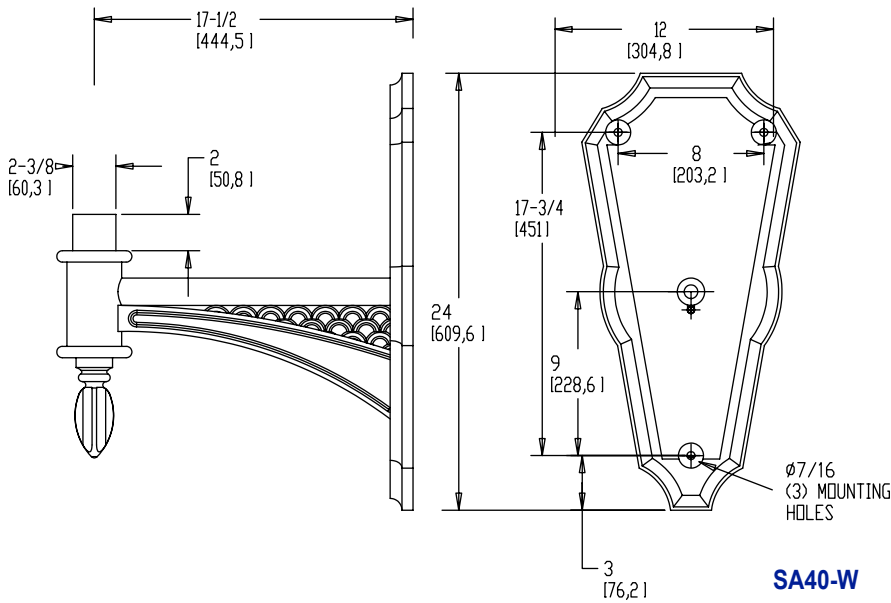


SA40

Specifications

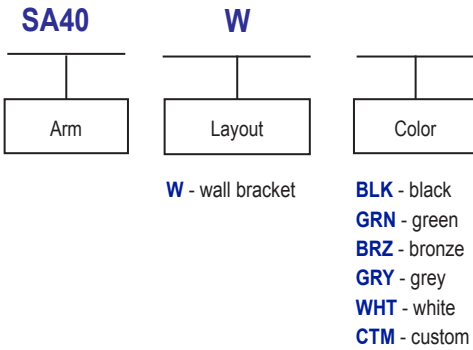


The arm shall be SA40-W arm, consisting of cast aluminum arm welded to a cast aluminum wall plate.

The arm shall be a one piece casting with decorative finials. All hardware shall be tamper resistant, stainless steel.

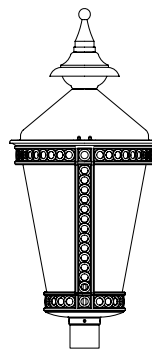
Non-standard configurations may be feasible, please consult factory for details.

Wall brackets shall be pre-wired, with a 12" slack for ease of wiring to source on the wall side and for wiring with wire nuts on the fixture side. Mounting hardware for wall brackets is not included.

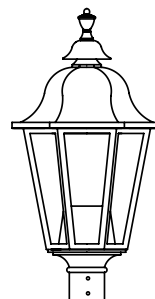


SA40

Suggested luminaire combinations



SH40



SH55

Sheridan
lighting systems, inc.