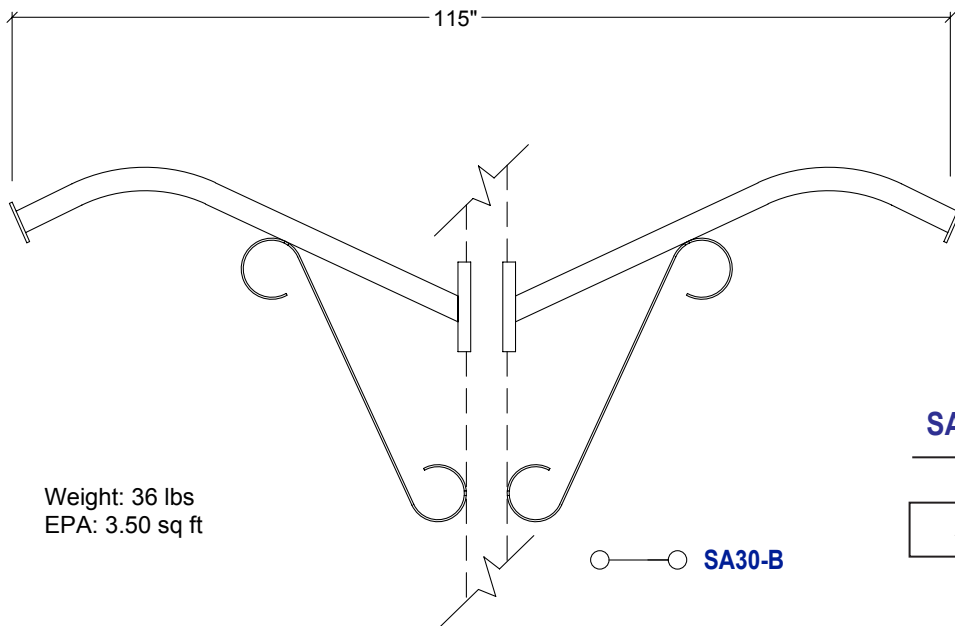


The arm shall be SA30-\_\_\_\_\_ (specify configuration) arm, consisting of a bent arm welded onto a plate, equipped on the luminaire side with a fixture mounting plate.

The arm shall be made of 2-7/8" OD, 3/16" thick aluminum extrusion welded onto cast aluminum wall plate. The scroll shall be made of 1-1/2" x 1/4" aluminum flat bar.

A variety of configurations is available, most of which are illustrated below. An additional option is noted below in the bottom left-hand corner.

Arms shall be equipped with a 5-1/4" x 5-1/4" aluminum luminaire mounting plate. Arms are not pre-wired and shall be wired by the contractor. Mounting hardware is not included.



SA30

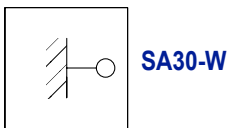
### SA30

Arm	Layout	Color
W	A	BLK
	B	GRN
		BRZ
		GRY
		WHT
		CTM

W - wall bracket  
A - single at 90°  
B - twin at 180°

BLK - black  
GRN - green  
BRZ - bronze  
GRY - grey  
WHT - white  
CTM - custom

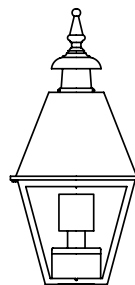
#### ADDITIONAL CONFIGURATION AVAILABLE



#### Suggested pole and luminaire combinations



SP01



SH50

**Sheridan**  
lighting systems, inc.