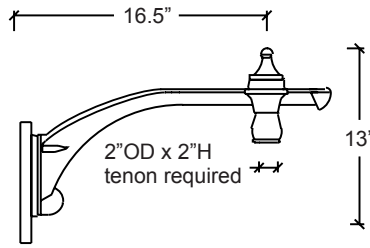


Weight: 13 lbs **SA20-W**

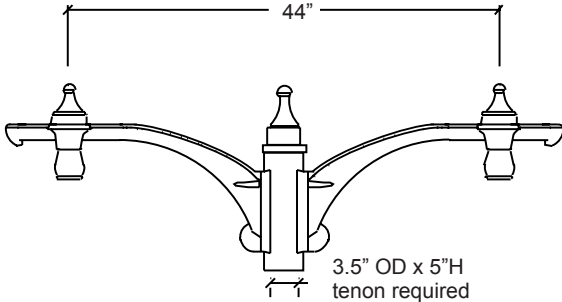


The arm shall be SA20-\_\_\_\_\_ (specify configuration) arm, consisting of cast aluminum arm(s) clamping onto a pole shaft. Wall brackets shall be welded to a cast aluminum wall plate.

The arm shall be a one piece casting with decorative finials. All hardware shall be tamper resistant, stainless steel.

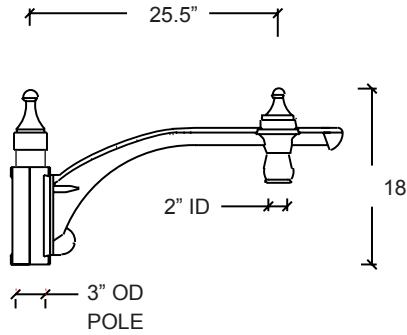
A variety of configurations is available, some of which are illustrated below. Those not illustrated are noted in the bottom left-hand corner. Non-standard configurations may be feasible, please consult factory for details.

Post top arms shall clamp onto a 3" OD pole shaft. Arms shall be equipped with 2" diameter openings to accept fixture tenons. *Post top* arms are not pre-wired and shall be wired by the contractor. *Wall brackets* shall be pre-wired, with a 12" slack for ease of wiring to source on the wall side and for wiring with wire nuts on the fixture side. Mounting hardware for wall brackets is not included.

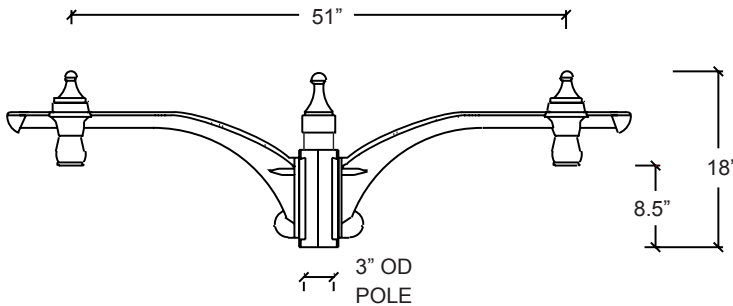


Weight: 33 lbs  
EPA: 2.64 sq ft

**SA20-C**



Weight: 13 lbs  
EPA: 1.1 sq ft **SA20-A**



Weight: 22 lbs  
EPA: 2.15 sq ft **SA20-B**

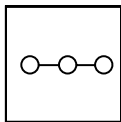
**SA20**

## SA20

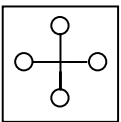
Arm	Layout	Color
-----	--------	-------

- W** - wall bracket
- A** - single at 90°
- B** - twin at 180°
- BC** - twin at 180° plus central
- C** - triple at 120°
- CC** - triple at 120° plus central
- D** - quad at 90°
- E** - quad at 90° plus central

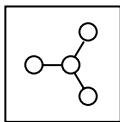
- BLK** - black
- GRN** - green
- BRZ** - bronze
- GRY** - grey
- WHT** - white
- CTM** - custom



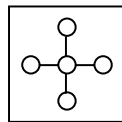
**SA20-BC**



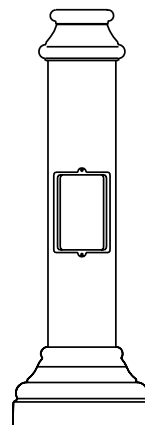
**SA20-D**



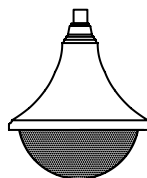
**SA20-CC**



**SA20-E**



SP15



SH75

**Suggested pole and luminaire combinations**

**Sheridan**  
lighting systems, inc.