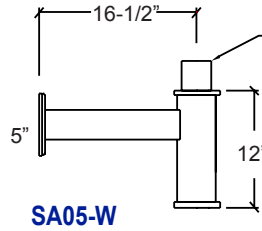
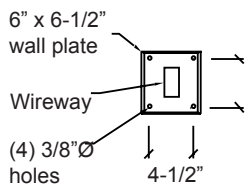


SA05

Specifications

Weight: 9 lbs



3"OD x 3"H
tenon (typical)

SA05-W

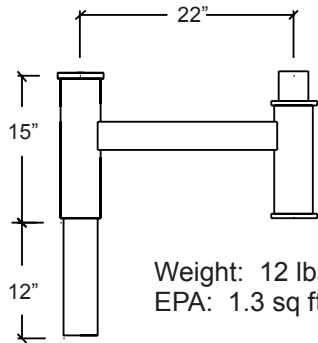


The arm shall be SA05-_____ (specify configuration) arm, consisting of aluminum rectangular arm(s) welded to a round central column. Wall brackets shall be made of aluminum rectangle welded to a wall plate.

The rectangular 3" x 2" x 1/8" thick arm shall be welded to 4"OD fixture and mounting columns. The central column shall be made of extruded non-fluted aluminum. All hardware shall be tamper resistant, stainless steel.

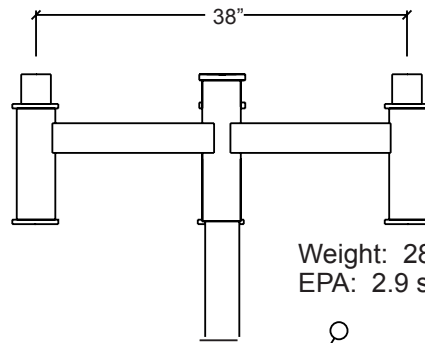
A variety of configurations is available, some of which are illustrated below. Those not illustrated are noted in the bottom left-hand corner. Non-standard configurations may be feasible, please consult factory for details.

Post top arms shall be equipped with a 12"L x 3-1/2" OD round pole tenon. Arms shall be equipped with 3" (76mm) diameter tenons for fixture mounting. Post top arms are not pre-wired and shall be wired by the contractor. Wall brackets shall be pre-wired, with a 12" slack for ease of wiring to source on the wall side and for wiring with wire nuts on the fixture side. Mounting hardware for wall brackets is not included.



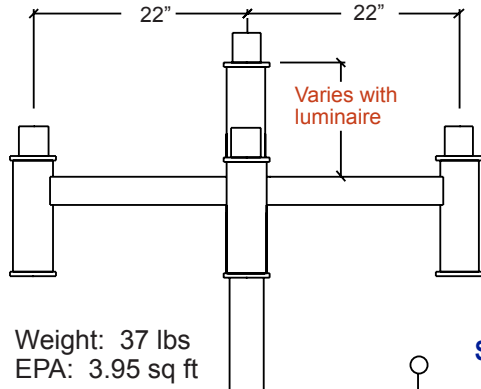
Weight: 12 lbs
EPA: 1.3 sq ft

SA05-A



Weight: 28 lbs
EPA: 2.9 sq ft

SA05-C



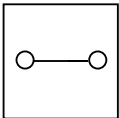
Weight: 37 lbs
EPA: 3.95 sq ft

SA05-E

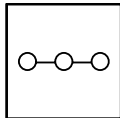


SA05

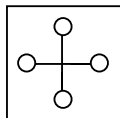
ADDITIONAL CONFIGURATIONS AVAILABLE



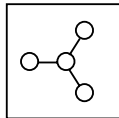
SA05-B



SA05-BC



SA05-D



SA05-CC

SA05

Arm	Layout	Color
-----	--------	-------

W - wall bracket

A - single at 90°

B - twin at 180°

BC - twin at 180°

plus central

C - triple at 120°

CC - triple at 120°

plus central

D - quad at 90°

E - quad at 90° plus

central

BLK - black

GRN - green

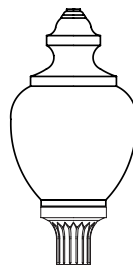
BRZ - bronze

GRY - grey

WHT - white

CTM - custom

Suggested pole and luminaire combinations



SH01



SP01

Sheridan
lighting systems, inc.