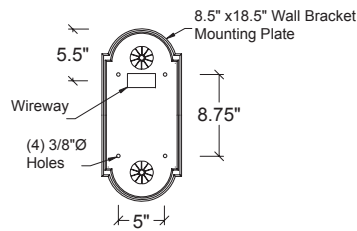
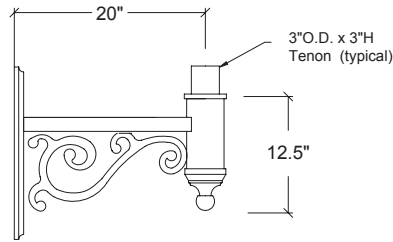


SA03

Specifications

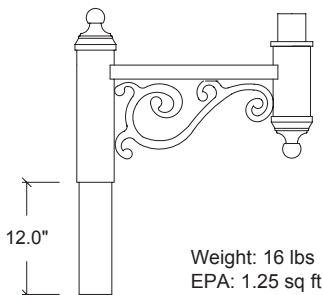


Weight: 9.5 lbs



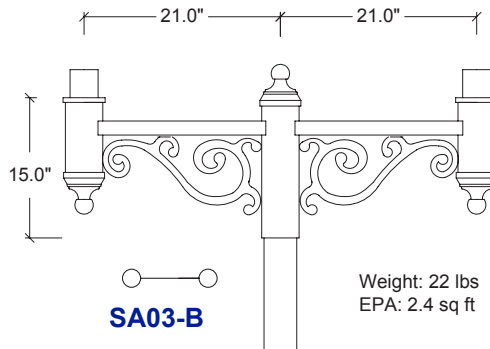
SA03-W

SA03



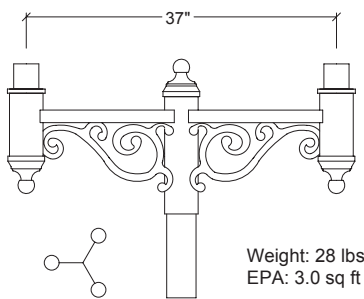
Weight: 16 lbs
EPA: 1.25 sq ft

SA03-A



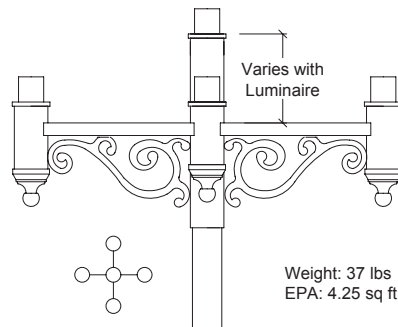
Weight: 22 lbs
EPA: 2.4 sq ft

SA03-B



Weight: 28 lbs
EPA: 3.0 sq ft

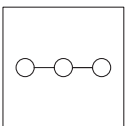
SA03-C



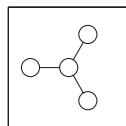
Weight: 37 lbs
EPA: 4.25 sq ft

SA03-E

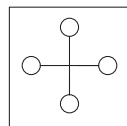
ADDITIONAL CONFIGURATIONS AVAILABLE



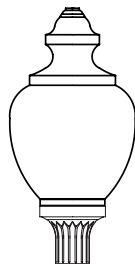
SA03-BC



SA03-CC



SA03-D



SH01



SP01

The arm shall be SA03 _____ (specify configuration), consisting of an ornamental cast aluminum scroll welded to a round central column. Wall brackets shall be made of aluminum rectangle with a cast aluminum scroll all welded to the cast aluminum wall plate.

The rectangular 3"x1-1/2"x 1/8" thick arm shall be welded to the ornamental cast scroll. The central 4"OD column shall be made of extruded non-fluted aluminum. All hardware shall be tamper resistant, stainless steel.

A variety of configurations is available, some of which are illustrated below. Those not illustrated are noted in the bottom left-hand corner. Non-standard configurations may be feasible, please consult factory for details.

Post top arms shall be equipped with a 12" L x 3-1/2" OD round pole tenon. Arms shall be equipped with 3" (76mm) diameter tenons for fixture mounting. Post top arms are not pre-wired and shall be wired by the contractor. Wall brackets shall be pre-wired, with a 12" slack for ease of wiring to source on the wall side and for wiring with wire nuts on the fixture side. Mounting hardware for wall brackets is not included.

SA03

Arm	Layout	Color

W - wall bracket

A - single at 90°

B - twin at 180°

BC - twin at 180°

plus central

C - triple at 120°

CC - triple at 120°

plus central

D - quad at 90°

E - quad at 90° plus

central

BLK - black

GRN - green

BRZ - bronze

GRY - grey

WHT - white

CTM - custom

Suggested pole and luminaire combinations

Sheridan
lighting systems, inc.