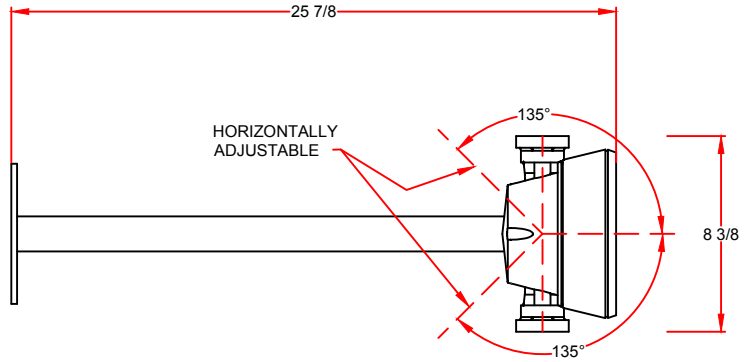
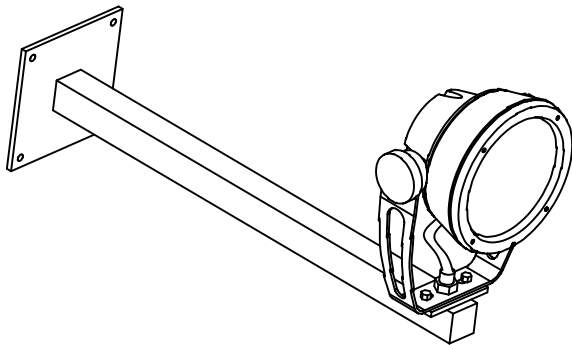
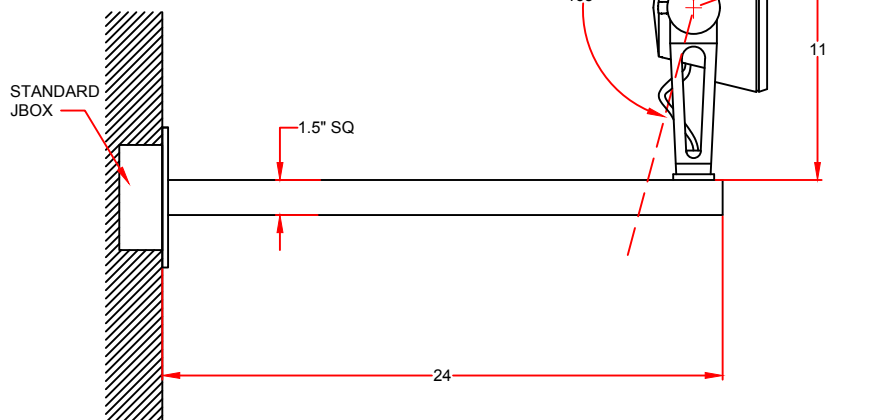
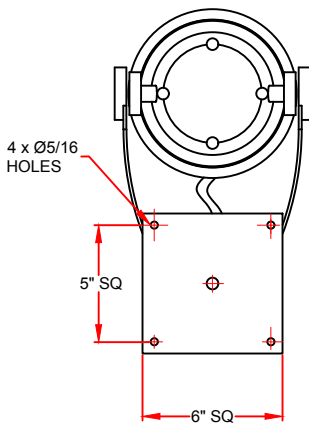


DWG PD2204112.1



LUMINAIRE BY OTHERS



Luminaire: BY OTHERS. Note: this mounting arm is designed specifically for the Lumenpulse Lumenbeam LMB luminaire.

Wall plate: 1/4" x 6" x 6" aluminum

Arm: 1/4" x 1-1/2" x 1-1/2" square aluminum tube, sharp corners, welded in and over the wall plate. Includes a mounting plate drilled and tapped for luminaire mounting and cabling.

Exposed hardware: stainless steel.

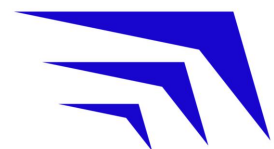
Finish: smooth semi-gloss polyester powder coat

Color: five standard colors to choose from: black (BLK), white (WHT), grey (GRY), green (GRN) or bronze (BRZ). Other colors available for an extra charge.

OLD PARKLAND EAST CAMPUS - TYPE L11

Date: Apr. 11, 2022

Model: CSA151524-JB66-COLOR



Sheridan Lighting Systems, Inc.
6-2400 Dundas St W
Mississauga, ON L5L 2R9