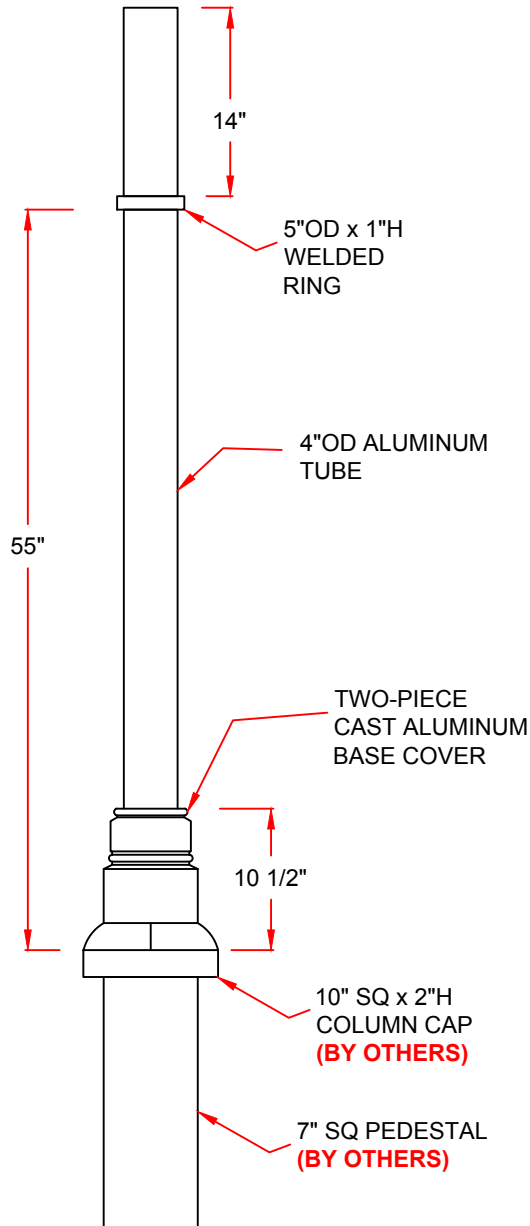
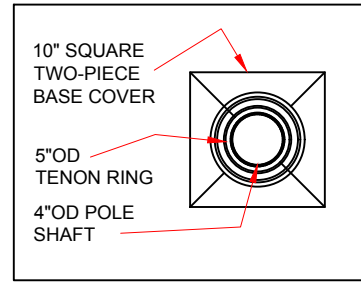


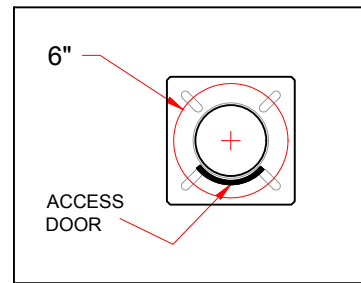
**DWG #PD2103171.2**

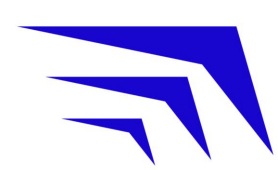


**TOP VIEW**



**BASE PLATE VIEW**



<p><b>Shaft:</b> 4"OD aluminum tube</p> <p><b>Base plate:</b> 3/4" aluminum</p> <p><b>Bolt circle:</b> 6"</p> <p><b>Bolt holes:</b> suitable for (4) 1/2" bolts</p> <p><b>Bolts, nuts and washers:</b> <b>BY OTHERS</b></p> <p><b>Base cover:</b> cast aluminum, 10" square</p> <p><b>Hand hole:</b> 2"W x 4"H, located between anchor bolts</p>	<p><b>Grounding bar:</b> opposite hand hole, drilled and tapped for 1/4"-20; ground lugs <b>BY OTHERS.</b></p> <p><b>Exposed hardware:</b> stainless steel, tamper-resistant</p> <p><b>Finish:</b> smooth semi-gloss polyester powder coat</p> <p><b>Color:</b> five standard colors to choose from: black (BLK), white (WHT), grey (GRY), green (GRN) or bronze (BRZ). Other colors available for an extra charge.</p>	<p align="center"><b>HIGHLAND BRIDGE</b></p> <p><b>Date:</b> Mar. 19, 2021</p> <p><b>Model:</b> SP55-4RSA-58-TN-4X14-COLOR</p> 
--	---	--