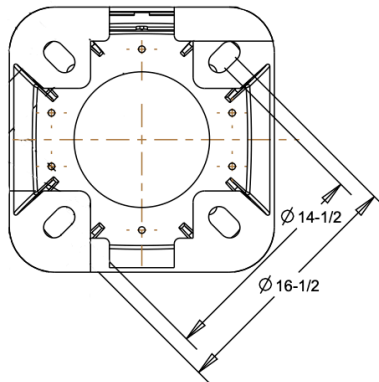
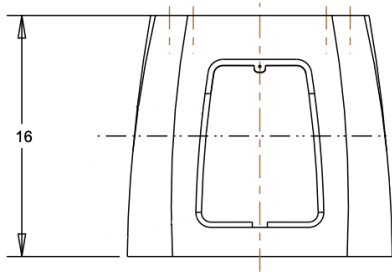
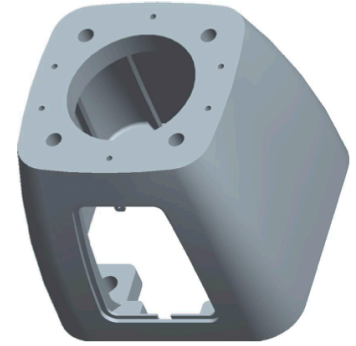
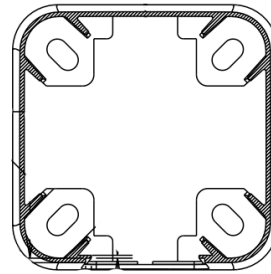
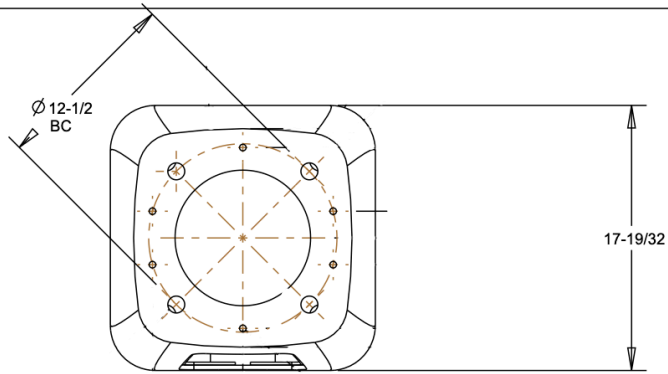


BC27C

Proj:
Qty:



TOLERANCES UNLESS OTHERWISE SPECIFIED		© 2015 COPYRIGHT SHERIDAN LIGHTING & SITE SYSTEMS CORP. THIS DRAWING CONTAINS UNCLASSIFIED AND/OR CONFIDENTIAL INFORMATION WHICH MAY BE LEGALLY PROTECTED FROM DISCLOSURE AND/OR DISTRIBUTION AND USE OF THIS DRAWING SHALL BE TO THE SOLE BENEFIT OF THE COPYRIGHT OWNER.		Sheridan Lighting Systems, Inc. 6-2400 Dundas St W Mississauga, ON L5K 2R8			
DECIMAL .XX ± .01" .XXX ± .005"	Designed by: ZT	Date: 04/28/15	DRAWING DESCRIPTION: Base Cover				
FRACTION ± 1/32"	Checked by: GG	Date: 04/28/15	DRAWING NAME: BC27C				
HOLE TOLERANCE I.D. +1/64" -0	Approved by: GG	Date: 04/28/15	REV C	PRODUCT CODE CSH3396			
ANGLE TOLERANCE ± 0.5°	Material: Cast Aluminum		SCALE B	INCH	VERSION 1	REV A	SHEET 1/ 1