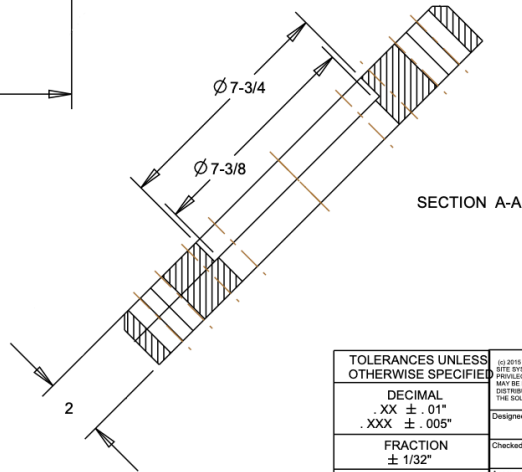
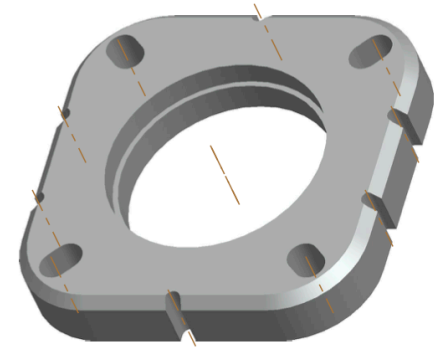
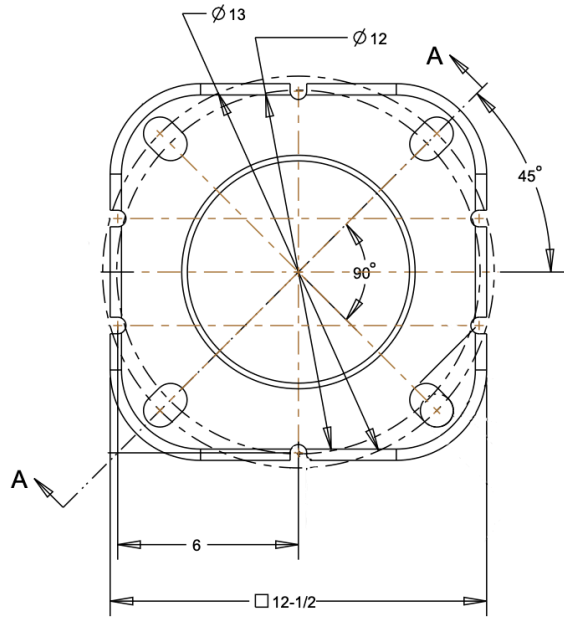


BP27_01

Proj:
Qty:



TOLERANCES UNLESS OTHERWISE SPECIFIED		© 2015 COPYRIGHT SHERIDAN LIGHTING & SITE SYSTEMS CORP. THIS DRAWING CONTAINS PROTECTED AND/OR CONFIDENTIAL INFORMATION, WHICH MAY BE LEGALLY PROTECTED FROM DISCLOSURE AND/OR DISTRIBUTION AND USE OF THIS DRAWING SHALL BE TO THE SOLE BENEFIT OF THE COPYRIGHT OWNER.		Sheridan Lighting Systems, Inc. 6-2400 Dundas St W Mississauga, ON L5K 2R8			
DECIMAL .XX ± .01" .XXX ± .005"	Designed by: ZT	Date: 04/20/15	DRAWING DESCRIPTION: Base Plate				
FRACTION ± 1/32"	Checked by: GG	Date: 04/20/15	DRAWING NAME: BP27_01				
HOLE TOLERANCE I.D. +1/64" -0	Approved by: GG	Date: 04/20/15	PART NO: RTA-27-TB				
ANGLE TOLERANCE ± 0.5°	Material: Aluminum Plate	2" TH	SCALE: INCH	VERSION: 2	REV: B	SHEET: 1/ 1	