

PD2211011

RIDLEY COLLEGE

Pole: 3/16" wall x 4"OD steel

Tenon: 3"OD x 4"H

Base covers: cast aluminum

Banner arms: 0.120" wall x 1"OD x 16"L steel tube, bolted thru the pole, one upper and one lower, permanent, **non-adjustable.**

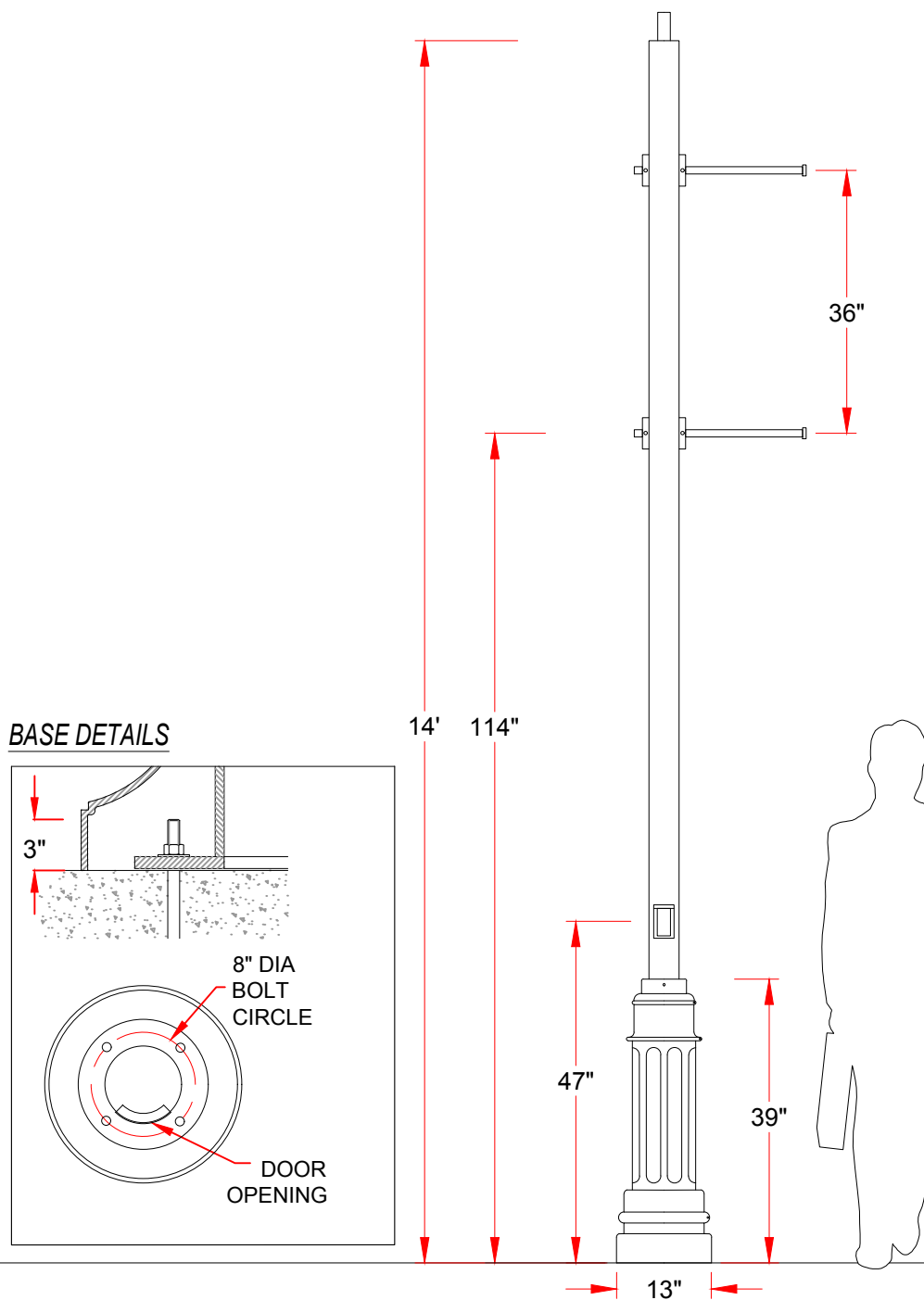
GFI: cover only, located at 47" to center from the bottom of the pole; receptacle **BY OTHERS**

Anchor bolts: (4) 3/4"OD x 24"L galvanized bolts, with (2) nuts and (2) washers each and a steel template for a 8" bolt circle

All exposed hardware: stainless steel

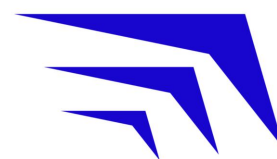
Finish:
pole - galvanized and powder coated;
banner arms - zinc plated;
base covers - powder coated;

Color: powder coated black



Date: Nov. 1, 2022

Model: CSP1339-4RSC-14-BAB11-GFI-BLK



SHERIDAN LIGHTING SYSTEMS, INC.
6-2400 Dundas St W, Mississauga, ON L5K 2R8

T 905-369-0101 T 1-866-667-9617
sales@sheridansys.com www.sheridansys.com