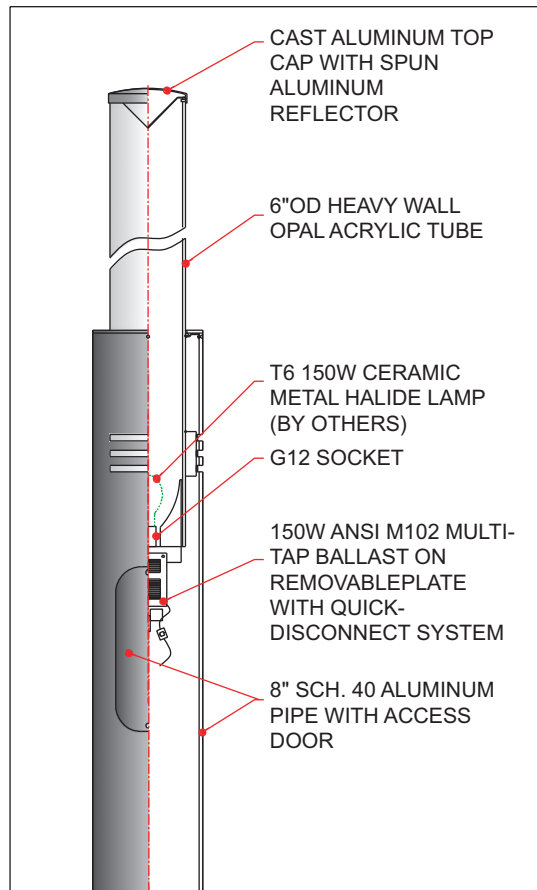
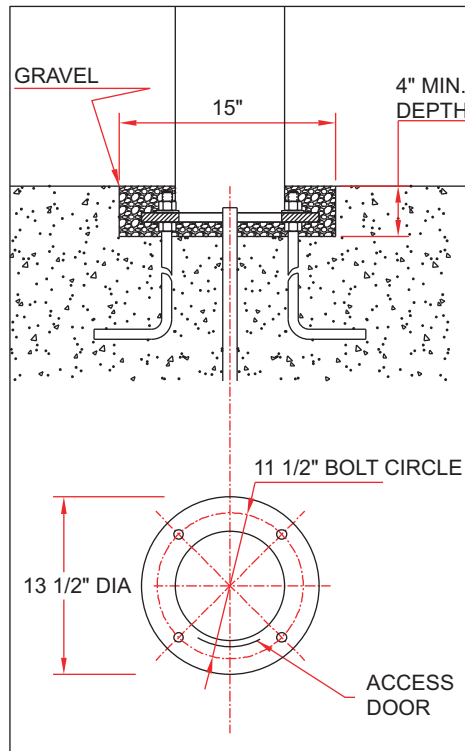


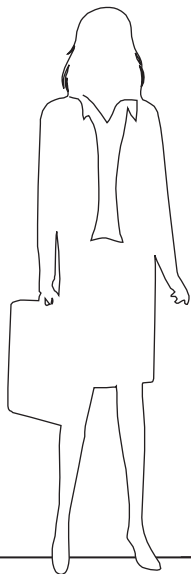
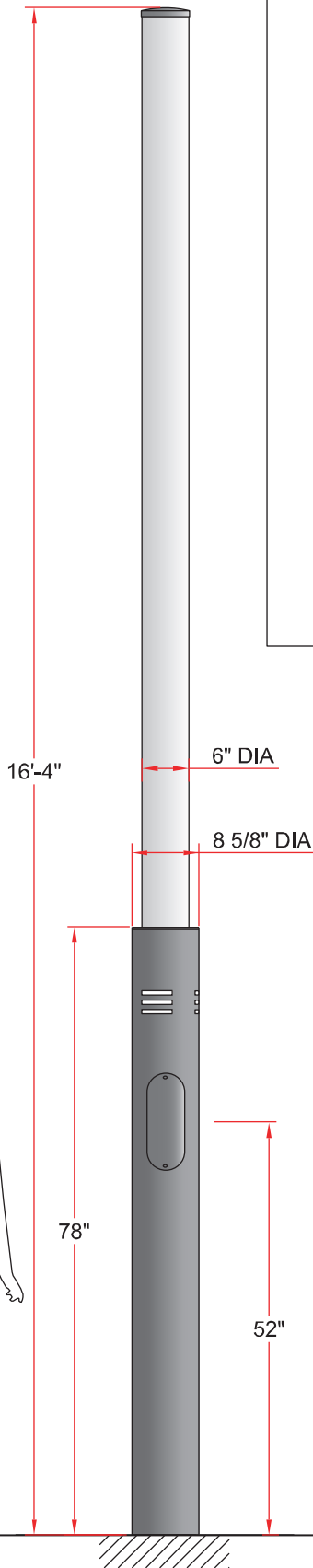
PD98251



LUMINAIRE DETAIL



ANCHORAGE DETAIL



LIGHT COLUMN

16' LIGHT COLUMN

Top cap: cast aluminum

Diffuser: opal acrylic

Ballast: MH CWA, ANSI M102 multi (quad) tap, with quick disconnects, mounted on a removable plate.

Wattage: 150W **Voltage:** TBA

Socket: G12 **Lamp:** T6 (by others)

Optics: dual polished spun aluminum reflector

Pole: 8" sch. 40 (8 5/8"OD) aluminum pipe welded in and over a 13 1/2"OD x 3/4" thick cast aluminum base plate

Installation: four 3/4"OD x 24"L galvanized steel anchor bolts with two nuts and two washers per bolt, installed on 11 1/2" bolt circle. All hardware and steel templates included.

All exposed hardware: stainless steel

Listing: "suitable for wet locations" as per UL 1598

Finish: smooth semi-gloss TGIC polyester powder top coat

Color: five standard colors to choose from: black (BLK), white (WHT), green (GRN), bronze (BRZ) and grey (GRY). Other colors available for an additional charge.

Date: Aug. 25, 2009

Model: CSH6010-15CMH-(VOLT)-CSP12MOD-66-COLOR

Sheridan
lighting systems, inc.

Sheridan Lighting Systems, Inc.
4-2525 Dunwin Dr
Mississauga, ON L5L 1R9

T 905-369-0101 F 905-369-0102
sales@sheridansys.com www.sheridansys.com