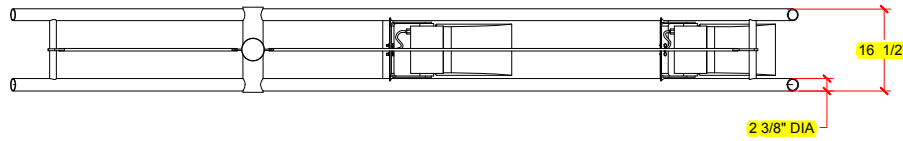
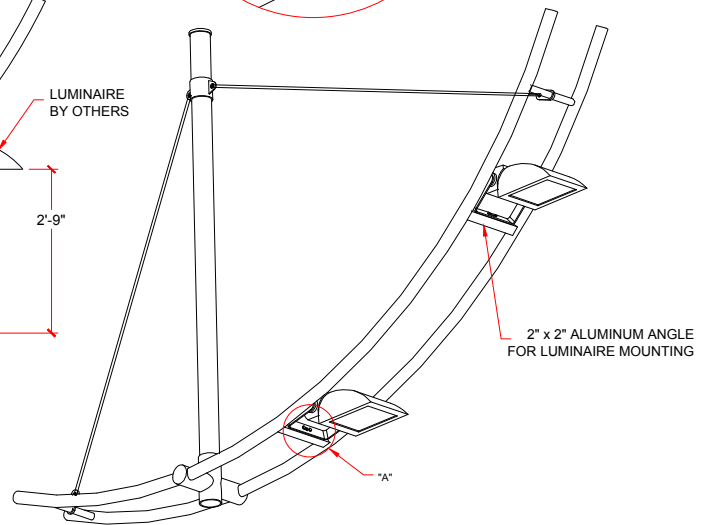
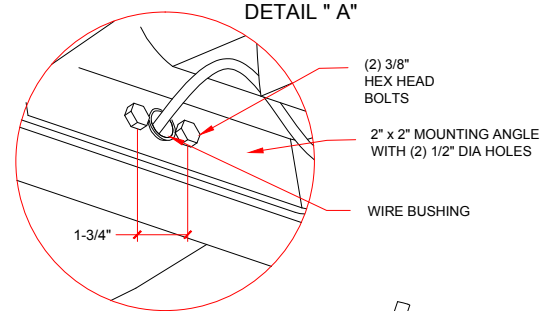
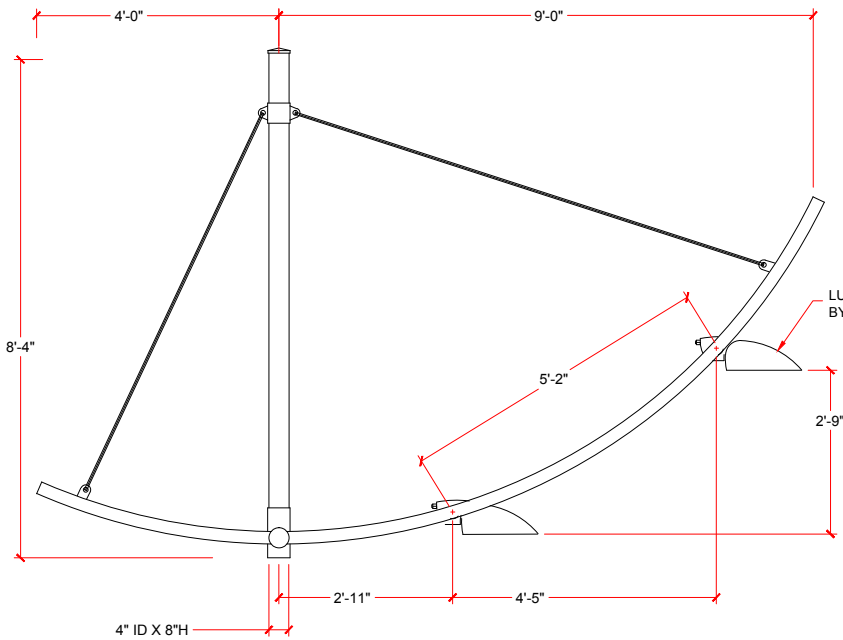


**PD11391.4**



EPA: 6.80 sq. ft.  
Weight: 85 lbs (38.5 kg)



**Central column:** extruded aluminum

**Arms:** bent extruded aluminum with cross braces

**Cable stays:** stainless steel cable

**Finish:** smooth semi-gloss TGIC polyester

**Color:** RAL 9007 silver

**Floodlight luminaires:** by others

**Mounting provisions for flood lights:** 2" x 2" aluminum angle

**ISLE OF CAPRI**

**Date:**  
Jun. 24, 2011

**Model:**  
CSA-8449-2-9007

**Sheridan**  
lighting systems, inc.

Sheridan Lighting Systems, Inc.  
4-2525 Dunwin Dr  
Mississauga, ON L5L 1R9