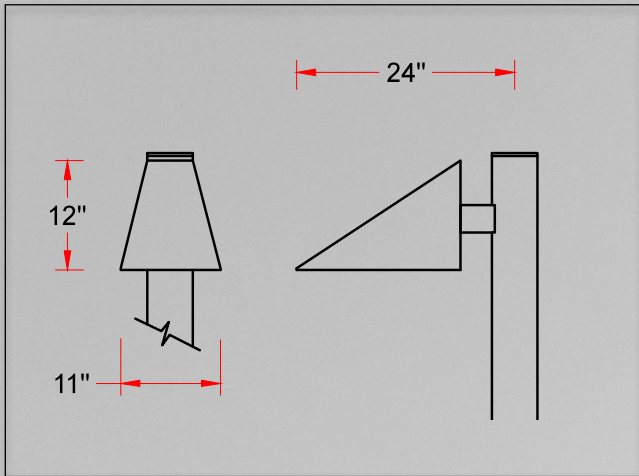


THE CLARK

Specifications



Sample configuration.

"The Clark" luminaire shall be constructed of a cast aluminum body, hinged access door and an extruded aluminum bolt-on fitter, which will mount onto a pole with (2) 5/16-18 hex head concealed bolts. A clear tempered glass lens will protect the optical assembly. Ballasts will feature quick disconnects. All electrical components shall be housed in the top portion of the luminaire. All exposed hardware shall be stainless steel. **Lamps by others.**

Finished in smooth semi-gloss TGIC polyester powder coat. Choice of five standard colors: black (BLK), bronze (BRZ), green (GRN), grey (GRY) and white (WHT). Other colors available for an additional charge.



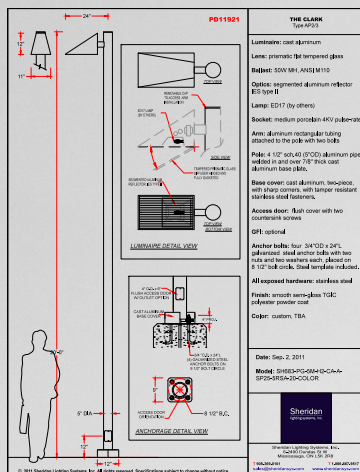
- 5M** 50MH
- 7M** 70MH
- 10M** 100MH
- 15M** 150MH
- 25M** 250MH
- 5H** 50HPS
- 7H** 70HPS
- 10H** 100HPS
- 15H** 150HPS
- 25H** 250HPS
- 3L4K** 30W LED
4000K, 2570 lm

- 1** 120V
- 2** 208V
- 3** 240V
- 4** 277V
- 5** 347V
- 6** 480V
- U** 120-277V

- H3** aluminum reflector IES type III
- H5** aluminum reflector IES type V
- L5** IES type V (LED optics only)

- BP** button photocell
- LP** locking photocell
- GFI** receptacle (order with poles only)

- BLK** black
- BRZ** bronze
- GRN** green
- GRY** grey
- WHT** white
- CTM** custom



Sample configuration