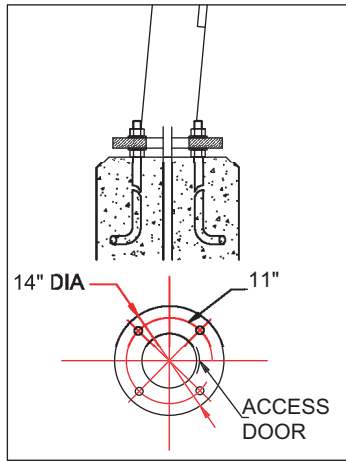
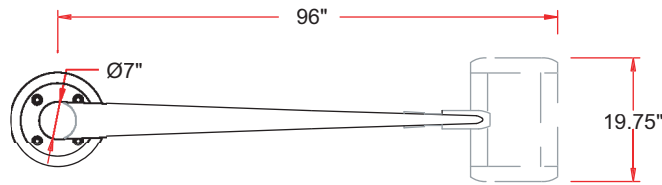
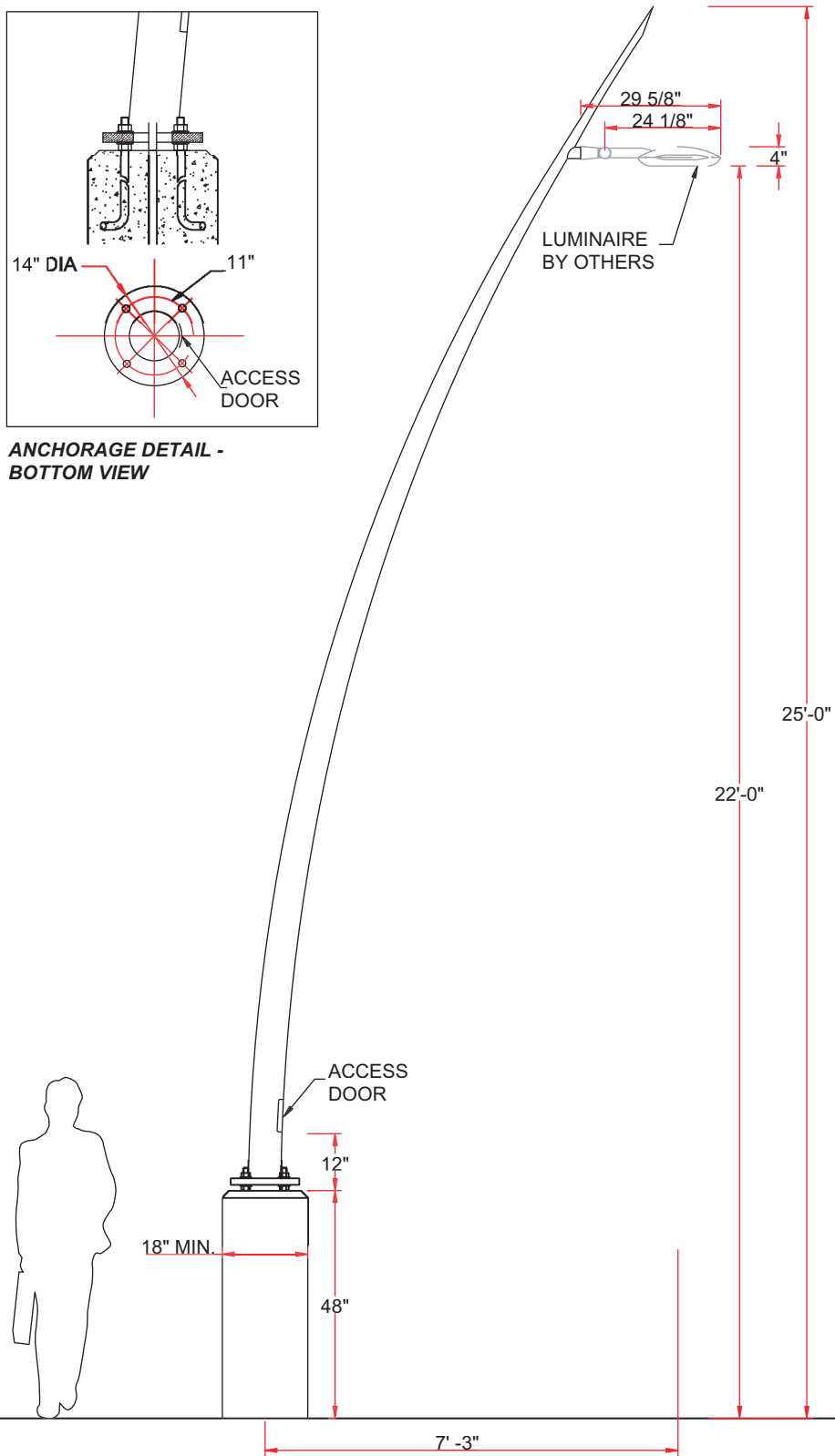


PD95151.1



ANCHORAGE DETAIL - BOTTOM VIEW



GRAND PRAIRIE

Type S2A

Luminaire: by others.

Arm: 2" sch 40 aluminum pipe (2 3/8"OD), welded to the pole shaft.

Pole: curved round tapered aluminum tubing with 0.188" wall thickness, welded in and over a cast aluminum base plate. Pole tapers at a rate of 0.14"/ft from 7" at the bottom to 2 3/8" at the top. Pole is then topped with a secondary section to form a needle spike. A 3" x 5" hand hole with a cast aluminum access door is provided at 12" to bottom from finished grade.

Base plate: one-piece cast aluminum

Base cover: none

Anchor bolts: four 1" x 36"L galvanized 55ksi yield steel, with 4" hook, 4" projection, with two nuts and two washers per bolt for leveling, installed on 11" bolt circle. Anchor bolts and steel templates supplied by Sheridan.

Concrete pier base: by others

Finish: TGIC polyester powder coat

Color: color by architect. Five standard colors to choose from: black, green, bronze, white and grey. Other colors available upon request.

Date: July 1, 2009

Model: CSP71-RTCA-21-CSA-A-CBA

Sheridan
lighting systems, inc.

Sheridan Lighting Systems, Inc.
4 - 2525 Dunwin Dr
Mississauga, ON L5L 1R9

T 905-369-0101 F 905-369-0102
sales@sheridansys.com www.sheridansys.com